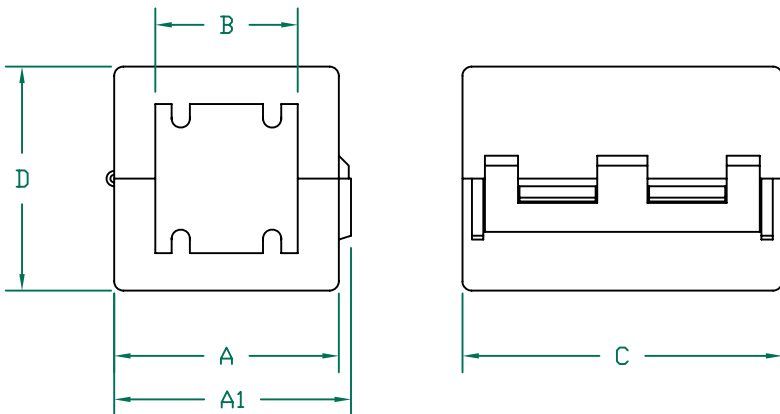


CORE (28A5776-000)

FERRITE CORE DIMENSIONS (SPEC): mm [in]

A	25.90 [1.020]	±	0.40 [.016]
B	19.40 [.764]	±	0.30 [.012]
C	38.90 [1.53]	±	0.40 [.016]
D	13.00 [.512]	±	0.30 [.012]



CASE (A5776-0C2)

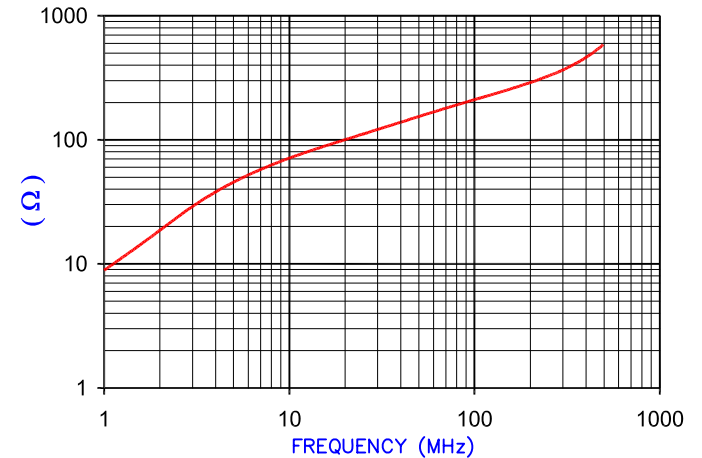
CASE DIMENSIONS (SPEC): mm [in]

A	29.20 [1.150]	±	0.59 [.023]
A1	30.80 [1.213]	±	REF.
B	19.30 [.760]	±	0.39 [.015]
C	42.00 [1.654]	±	0.84 [.033]
D	29.40 [1.157]	±	0.59 [.023]

UNCONTROLLED DOCUMENT

IMPEDANCE (Z)			
Frequency	25 MHz	100 MHz	300 MHz
Nominal (REF)	115 Ω	210 Ω	360 Ω
Minimum	- Ω	168 Ω	- Ω

Z vs. FREQUENCY
(REF. ONLY)



AGILENT E4991A Impedance/Material Analyzer
HP 16092A-Test Fixture REF 3171

NOTES:

1. CASE UL FLAMMABILITY RATING: 94 V-0
2. ASSEMBLED PART #: 28A5776-0A2
3. FOR CORE DIMENSIONS SEE STEWARD P/N 28A5776-000.
4. FOR CASE DIMENSIONS SEE STEWARD P/N A5776-0C2.
5. CASE COLOR: -0A2 BLACK CASE.

DIMENSIONS ARE IN mm [INCHES].				This print is the property of Laird Tech. and is loaned in confidence subject to return upon request and with the understanding that no copies shall be made without the written consent of Laird Tech. All rights to design or invention are reserved.			
H	UPDATE COMPANY LOGO	06/11/10	JUN				
G	UPDATE Z SPEC AND COMPANY LOGO	06/26/07	JRK				
F	CHG Z SPECS@100 MHZ ADD TEST REF# CHANGE P/N TO -0A2 REMOVE CASE	12/21/04	JRK				
E	COLOR -0A0 REVISE NOTES 2, 4, & 5 CHANGE PRINT FORMAT CHANGE Z SPECS	07/16/03	TMB				
D	AND ADD CURVE REVISE NOTE 2,3,4,5	07/02/03	TMB	PROJECT/PART NUMBER:	REV	PART TYPE:	DRAWN BY:
C	AND CASE TOLERANCES REMOVE NOTE 6 REVISE NOTE 5 AND ADD NOTE 6 REMOVE DETAIL "A" & DIMENSION "E" THRU "G"	10/17/02	TMB	28A5776-0A2	H	FERRITE CORE	TMB
REV	DESCRIPTION	DATE	INT	DATE:	SCALE:	MATERIAL:	
				10/25/01	NTS	FERRITE	
				CAD #	TOOL #		
				28A5776-0A2-H	-		