



Sample image







Datasheet

Article number: 70010693

Designation: KG32B.T104/01.E

Description: Switch Global Disconnecter

IEC 60947-3 EN 60947-3, VDE 0660 Teil 107						
Märkdriftspänning Ui						
<i>Spänning (V) AC / DC</i>						
690 AC						
Märkdriftström vid konstant drift						
<i>Ström (A)</i>	<i>Omgivningstemperatur (°C)</i>	<i>Temperatur topp (°C) ytterligare krav</i>				
32	50	55 Omgivningstemperatur +50°C under 24 timmar med toppar upp till +55°C				
Märkdriftström Ie						
<i>Urvals kriterie</i>						
AC-32A				<i>Spänning (V)</i>	<i>Ström (A)</i>	
				20 - 400	32	
Märkdrifteffekt						
<i>Urvals kriterie</i>						
	<i>Spänning (V)</i>	<i>No. of phases</i>	<i>No. of poles</i>	<i>Effekt (kW)</i>		
AC-3	220 - 240	3	3	5,50		
AC-3	380 - 440	3	3	7,50		
AC-3	660 - 690	3	3	7,50		
AC-23A	220 - 240	3	3	5,50		
AC-23A	380 - 440	3	3	11		
AC-23A	660 - 690	3	3	11		
Max försäkring, IEC						
<i>Säkringskarakteristik</i>						
gG				<i>Antal säkringar</i>	<i>Ström (A)</i>	
				1	35	
UL60947-4-1 , UL508						
Nominal Voltage						
<i>Spänning (V) AC / DC</i>						
600 AC						
Märkdriftspänning Ui						
<i>Spänning (V) AC / DC</i>						
600 AC						
Rated thermal current						
<i>Ström (A)</i>						
30			<i>Omgivningstemperatur (°C)</i>		<i>Additional Text</i>	
			0 - 40		-	
Horsepower rating						
<i>Across-the-Line Motor Starting</i>						
	<i>Spänning (V)</i>	<i>No. of phases</i>	<i>No. of poles</i>	<i>Power (HP)</i>	<i>Ambient temperature [°C]</i>	
DOL	110 - 120	1	2	1,50	40	
DOL	200 - 208	1	2	3	40	
DOL	220 - 240	1	2	5	40	
DOL	277 - 277	1	2	5	40	
DOL	415 - 415	1	2	5	40	
DOL	440 - 480	1	2	7,50	40	
DOL	550 - 600	1	2	7,50	40	
DOL	110 - 120	3	3	3	40	
DOL	200 - 240	3	3	10	40	
DOL	415 - 415	3	3	10	40	
DOL	440 - 480	3	3	20	40	
DOL	550 - 600	3	3	25	40	
Pilot duty rating code						
<i>Duty Code</i>						
A600						
SCCR / Max. fuse rating						
<i>Conditions of acceptability</i>						
This device is suitable for use on circuits capable of delivering not more than 10kA rms symmetrical amperes, 600V ac max. when protected by Type RK1 fuses.						
Suitable for use on a circuit capable of delivering not more than 65000 rms symmetrical amperes at 600V max., when protected by 40A Class J fuses.						
Temp. rating of wire						
<i>Temperature rating (°C)</i>						
60 - 75			<i>Ström (A) Text</i>			
			-- --			
General Use						
<i>AC / DC</i>	<i>Spänning (V)</i>	<i>Ström (A)</i>	<i>No. of phases</i>	<i>No. of poles</i>	<i>No. of contacts in series</i>	
AC	277	30	1	1	1	
AC	600	30	1	2	1	
AC	600	30	3	3	1	

General Information						
<i>Text</i>						
- The operating handle and position indicating means to be used with these manual motor controllers should be provided from the manufacturer, or the operating handle and position indicating means to be used should have been previously evaluated in combination with the manual motor controllers.						
- När brytaren används som säkerhetsbrytare skall den vara utrustad med vred som är låsbart i läge "0".						
CSA						
Nominal Voltage						
<i>Spänning (V) AC / DC</i>						
600 AC						
Märkdriftspänning UI						
<i>Spänning (V) AC / DC</i>						
600 AC						
Rated thermal current						
<i>Ström (A)</i>		<i>Omgivningstemperatur (°C)</i>			<i>Additional Text</i>	
30		0 - 40			-	
Horsepower rating						
<i>Across-the-Line Motor Starting</i>						
	<i>Spänning (V)</i>	<i>No. of phases</i>	<i>No. of poles</i>	<i>Power (HP)</i>	<i>Ambient temperature [°C]</i>	
DOL	110 - 120	1	2	1,50	40	
DOL	220 - 240	1	2	5	40	
DOL	277 - 277	1	2	5	40	
DOL	415 - 415	1	2	5	40	
DOL	440 - 480	1	2	7,50	40	
DOL	550 - 600	1	2	7,50	40	
DOL	110 - 120	3	3	3	40	
DOL	220 - 240	3	3	10	40	
DOL	415 - 415	3	3	10	40	
DOL	440 - 480	3	3	20	40	
DOL	550 - 600	3	3	25	40	
Pilot duty rating code						
<i>Duty Code</i>						
A600						
Temp. rating of wire						
<i>Temperature rating (°C)</i>				<i>Ström (A) Text</i>		
75				-- --		
General Use						
<i>AC / DC</i>	<i>Spänning (V)</i>	<i>Ström (A)</i>	<i>No. of phases</i>	<i>No. of poles</i>	<i>No. of contacts in series</i>	
AC	277	30	1	1	1	
AC	600	30	1	2	1	
AC	600	30	3	3	1	
GENERAL TECHNICAL INFORMATION						
Size of conductor						
<i>composition of conductor</i>	<i>Min. / Max. value</i>		<i>No. of conductor per terminal</i>	<i>Cross section (mm²) or (AWG/kcmil)</i>		<i>Material of the wire</i>
flexible wire	Max.		1	1 AWG 10		Copper
flexible wire	Max.		1	4mm ²		Copper
Single-core or stranded wire	Max.		1	6mm ²		Copper
Single-core or stranded wire	Max.		1	1 AWG 10		Copper
flexible wire with sleeve	Max.		1	4mm ²		Copper
Stripping length						
<i>Length (mm) --</i>						
						
Rekomenderad skruvmejsel						
<i>Typ av skruvmejsel</i>				<i>Value</i>		
Stjärnskruvmejsel				PH2		
Slot screwdriver according to DIN 5264				0,8x4		
Tightening torque of screws						
<i>tightening torque (Nm)</i>				<i>tightening torque (lb-in)</i>		
1,25				11		
Approbations						
<i>Specification</i>						<i>Marking</i>
EAC						
CE marking						
UK Directives						
CSA C.22.2 No.14						
GB/T14048.3						
General Information						
<i>Text</i>						
- EMC Note: This device is suitable for use in environment A and B.						

General Information

Text

- Smörjning och behandling av kontaktarna är förbjuden.
- Inkoppling och service av strömställaren får endast utföras av behörig personal. Strömställaren är underhållsfri.
- Använd endast kopparkabel. Kabeln får inte förtennas.
- Alla anslutningskruvar måste dras med rekommenderat moment, även de som inte används då det kan finnas interna överkopplingar.

Waste Electrical & Electronic Equipment (WEEE)

Picture name

Description



Do not throw in the trash as care must be taken to ensure environmentally sound disposal and recycling. Please either use an environmentally friendly waste disposal company; return to the supplier for disposal; or return direct to the manufacturer, Kraus & Naimer. You can find local Kraus & Naimer offices at www.krausnaimer.com

Proposition 65

Picture name

Description



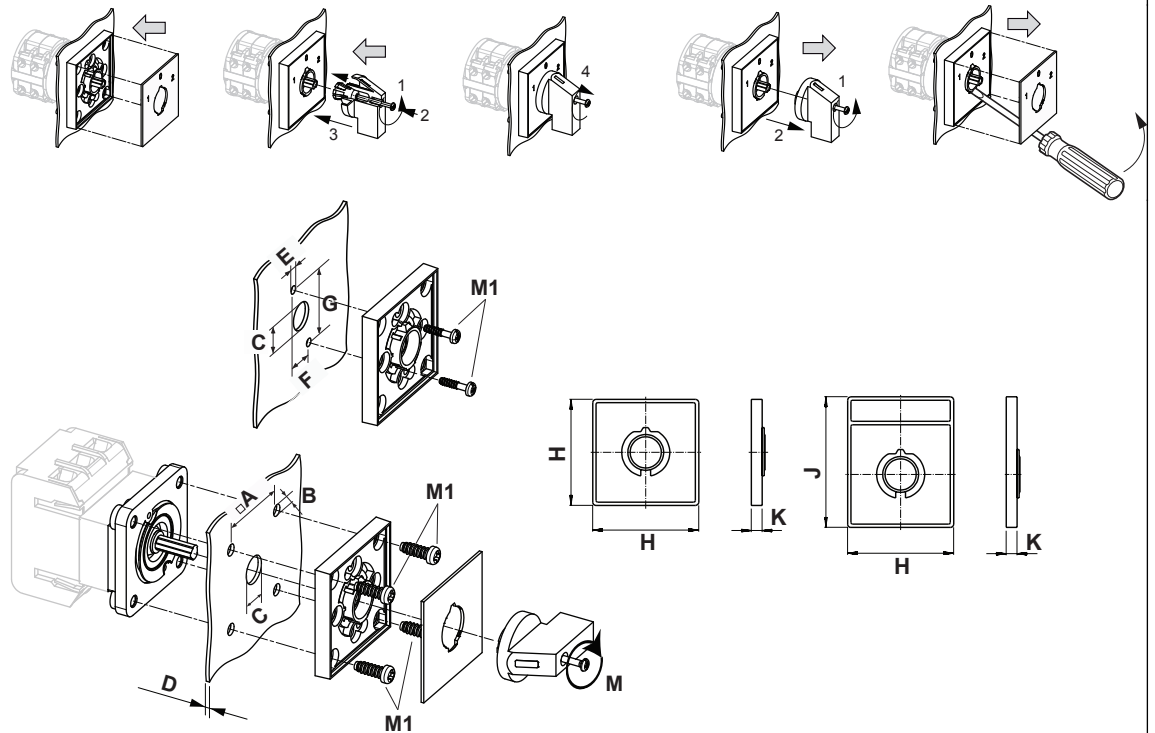
WARNING: This product can expose you to chemicals including nickel and lead, which is known to the State of California to cause cancer. For more information go to www.P65Warnings.ca.gov.

Classification Contact: Rigid contact bridge

Classification Contact Mat: Silver

Classification Terminal: Screw terminal

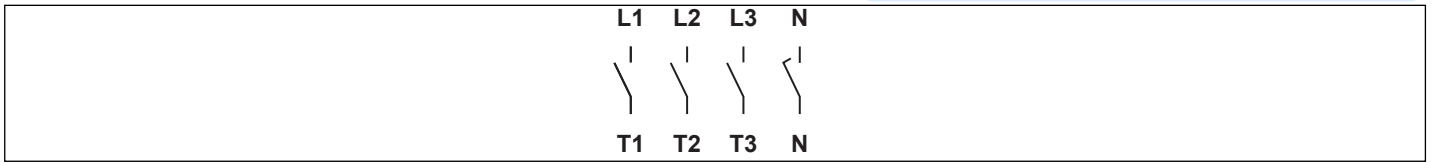
Mounting-E



Skyddsklass frontpanel, IP		IP66, IP67
Stages		1,00 - 12,00
A	□	48,00 mm
B	∅	5,00 mm
C	∅	10,00 - 15,00 mm
D	H	<= 4,00 mm
E	∅	3,50 mm
F	H	12,20 mm
G	H	30,00 mm
H	H	64,00 mm
J	H	78,50 mm
K	H	7,40 mm
M	↺	0,70 Nm
M1	↺	0,90 Nm


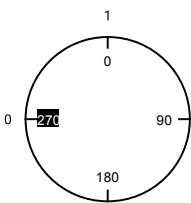
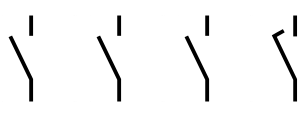




Wiring diagram

KG32B.T304.E



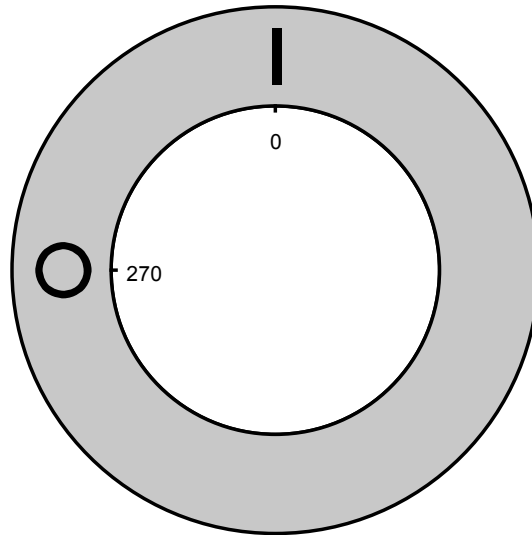
Switch program

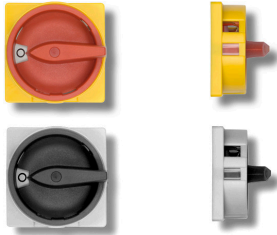
KG32B.T304.E

 Kraus & Naimer		KG32B				T304				Page 1 of 1			
		L1	L2	L3	N								
Face Plate 		1	3	5	7	9	11	13	15				
													
Switching Angle <input type="text" value="90"/> Total switching Angle <input type="text" value="90"/>		2	4	6	8	10	12	14	16				
		T1	T2	T3	N								
0	<input type="text" value="270"/>												
1	<input type="text" value="0"/>												
	<input type="text" value="90"/>												
	<input type="text" value="180"/>												
													Version: 94

Face plate

S1.F456/C10.V11H





Sample image

PADLOCK DEVICE

with F-handle ring

Designation: S1.V840G/A71/A2

Colour of F-handle ring: "A" black

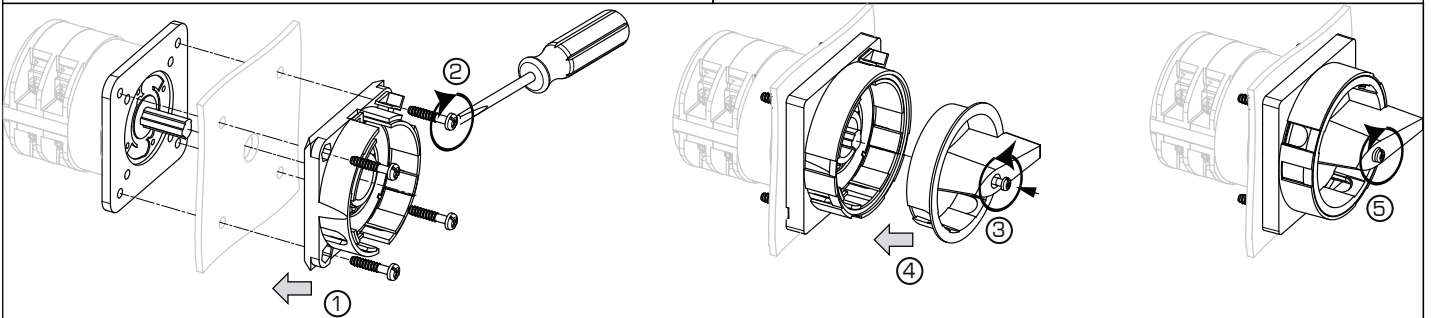
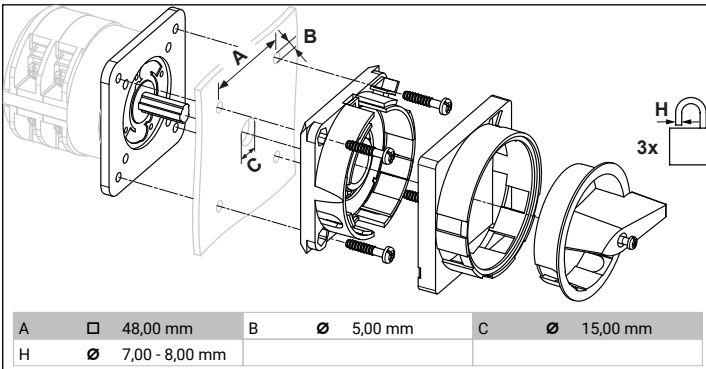
Colour of face ring: "7" electro-grey

Locking position: "1" at 270° (1x90°)

Type of mounting: "A" for type of mounting E

Type of mounting: "A" for type of mounting GK (Rose)

Switch type: "2" for KA-, KG- and KH(R)-switches



MOUNTING

1 + 2 The padlock device has to be mounted by four cylinder head screws from the front.

3 Loosen the screw and

4 Push it into the handle onto the shaft

5 Fasten the screw.

