

Quartz SMD



LC4115

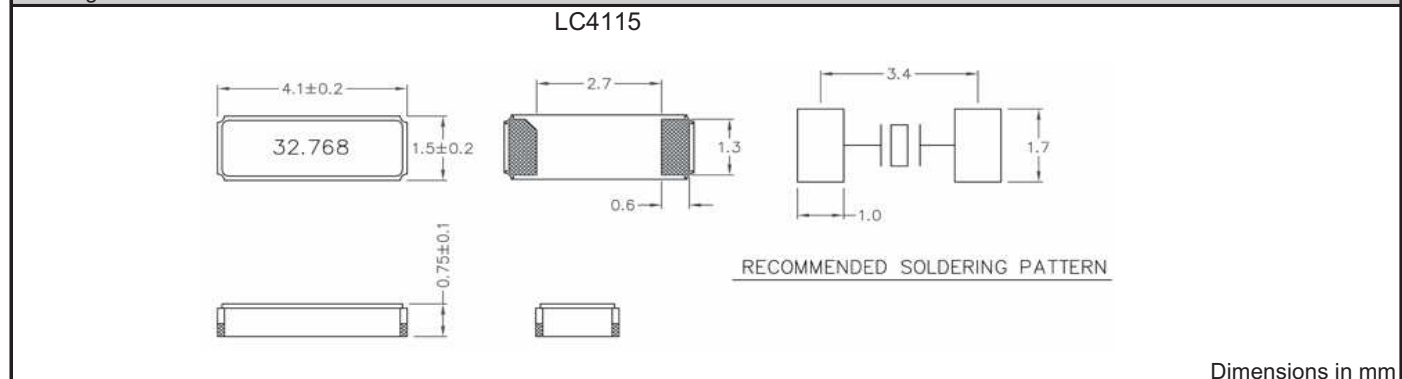
Features:

- Surface mount
- High performance/cost ratio
- Excellent vibration & shock resistance



Specifications			
	Symbol	LC4115	Remarks
Frequency range	f	32.768kHz	Standard
Frequency tolerance, Ta=25°C	$\Delta f/f$	$\pm 20\text{ppm} \sim \pm 50\text{ppm}$ (Std.)	Others are offered
Load capacitance	C_L	12.5pF	Please specify
Temp.coefficient	A	$-0.034 \pm 0.006\text{ppm}/^\circ\text{C}^2$	
Temperature range	Storage temp.	T_{STG}	$-55^\circ\text{C} \sim +125^\circ\text{C}$
	Operating temp.	T_{OPR}	$-40^\circ\text{C} \sim +85^\circ\text{C}$
Drive level	DL	1 μW	Standard
Series resistance	R_1	70k Ohm	Max ($25^\circ\text{C} \pm 3^\circ\text{C}$)
Motional Capacitance	C_1	2.3pF	Typ.
Shunt capacitance	C_0	1.2pF	Typ.
Insulation resistance	I_R	500M Ohm	Min
Aging	Δf_A	$\pm 5\text{ppm}/\text{Year}$	Max

Drawing



Order key

Q	- 32.768000k	- LC4115	- 50	- B	- 12.5	- TR
Part	Frequency	Package	Frequency tolerance	Temperature range	Load capacitance	Option
Q=Quartz	k=kHz	LC4115	$\pm\text{ppm}$ (25°C)	A= $0^\circ\text{C} \sim 70^\circ\text{C}$ B= $-10^\circ\text{C} \sim 60^\circ\text{C}$ C= $-10^\circ\text{C} \sim 70^\circ\text{C}$ D= $-20^\circ\text{C} \sim 70^\circ\text{C}$ E= $-40^\circ\text{C} \sim 85^\circ\text{C}$	pF SR=series	TR=Tape and reel X=Special options

Remarks: All specifications subject to change without notice!