

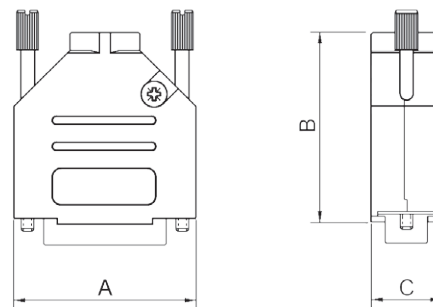
TECHNICAL SPECIFICATIONS

D-Sub Hood:

Material: Zinc, Black Plated
 Operating Temperature: -40°C to +120°C
 Cable Entry: Top Entry
 Thumbscrews: UNC 4-40 (Standard)
 M2,5 or M3 on request
 Cable O.D: Up to 11,5mm

D-Sub High Density:

Insulator: PBT, White, UL94 V-0
 Shell: Stamped Steel, Tin Plated
 Contact pins: Copper Alloy
 Stamped & Formed pins: 100 inserts min
 Contacts Plating: Selective Gold over Nickel
 Operating Temperature: -55°C to +105°C
 Withstanding voltage: 500V for 1 minute
 Insulator resistance: 500MΩ min



Features:

- Available in sizes HD15-26-44-62
- Excellent EMI Shielding
- Re-openable
- Strain relief inserts ensure a secure termination
- Black Full Metal Jackscrew as standard

Size DTZK	Dim A	Dim B	Dim C
9-way	31,0	39,5	15,0
15-way	39,5	41,5	15,0
25-way	53,5	48,5	15,0
37-way	71,0	53,0	15,0

Ordering information:

Class 3 D-Sub Connector Kits (100 inserts min.)

Size:	P/N - Kitted:	Product Code - MALE Conn. Kit
HD 15	6355-8102-01	DTZK09-BK-HDP15-W-K
HD 26	6355-8102-02	DTZK15-BK-HDP26-W-K
HD 44	6355-8102-03	DTZK25-BK-HDP44-W-K
HD 62	6355-8102-04	DTZK37-BK-HDP62-W-K

Size:	P/N - Kitted:	Product Code - FEMALE Conn. Kit
HD 15	6355-8102-11	DTZK09-BK-HDS15-W-K
HD 26	6355-8102-12	DTZK15-BK-HDS26-W-K
HD 44	6355-8102-13	DTZK25-BK-HDS44-W-K
HD 62	6355-8102-14	DTZK37-BK-HDS62-W-K

