

Waterproof USB Connectors

M22-Panel mount Connector Front mounting with Mini USB 2.0 Type AB

Protection: IP 64 / IP 67
(Assembled with CAP)

Contacts: 5 + 1 (Shield)

Housing: Plastic, Black (PA)

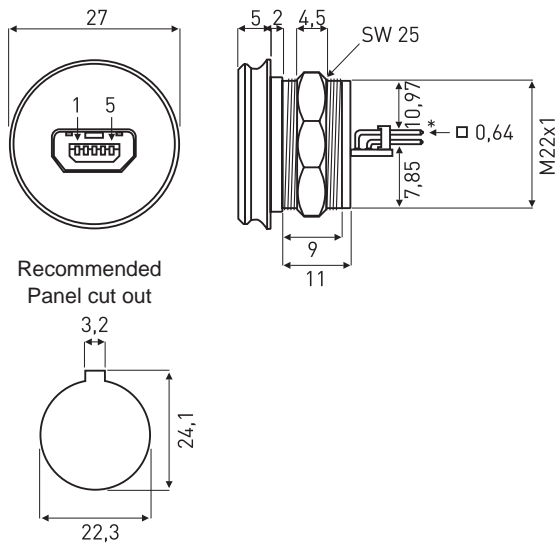
Cap: Elastolan®

Plastic nut: Plastic, Black (PA)

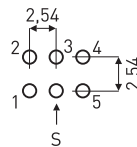
Contact plating: Gold

Connection: Solder

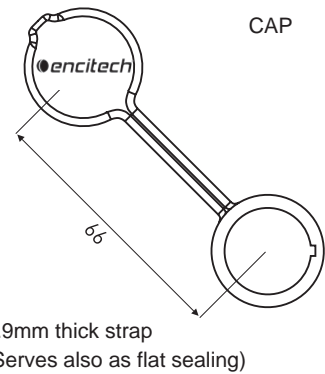
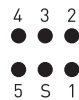
Kit: Including CAP + nut



PCB Layout



Pin out Mini USB



M22 Panel mount Mini USB 2.0 - Type AB

Connector:

Part No:

Panel Conn, Black

1310-1020-01



Encitech AB
Rörkullsvägen 4
SE-302 41 HALMSTAD, Sweden

Tel.: +46-(0)35-15 13 90
Fax: +46-(0)35-15 13 99

www.encitech.com