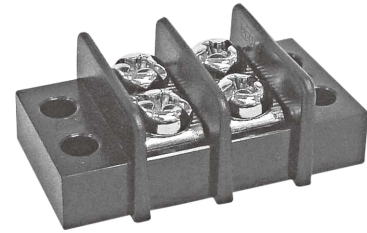


Terminal Strip



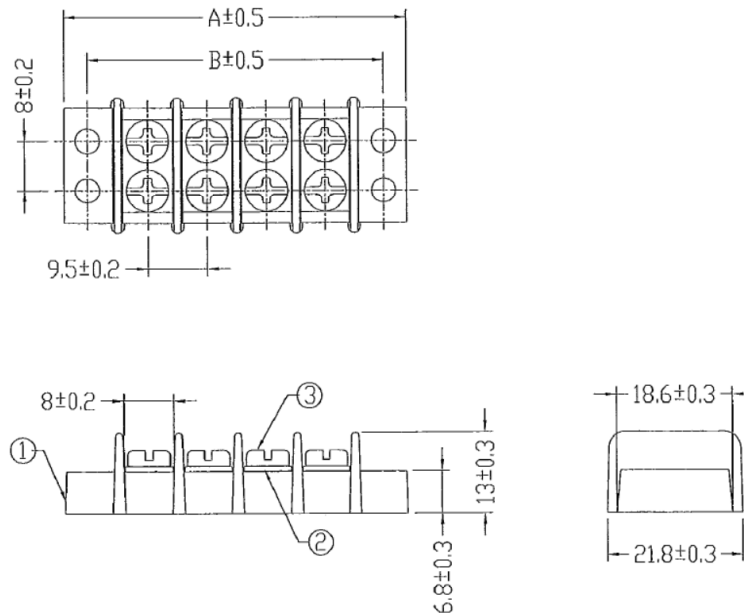
Specification

†	k	300†AC	
#	k	20°	
†	k	22 ... 12° † 8	
Screw Torque		1.36 Nm	
\	u	U	4 † #
\	u	U	10 † #
@	†	†	† #
@	k	8\	†) #

Material Specification

1 - Insulating Body	PC
2 - Terminal Material	Brass, Tin Plated
3 - Screw Material	Steel, Nickel Plated

Drawing



Article Nr.	Number of Poles	A	B
RND 205-01074	2	36.2	28.7
RND 205-01075	3	45.7 mm	38.2 mm
RND 205-01076	4	55.2	47.7
RND 205-01077	5	64.7	57.2 mm
RND 205-01078	6	74.2	66.7
RND 205-01079	8	93.2 mm	85.7 mm
RND 205-01080	10	112.2	104.7
RND 205-01081		131.2	123.7 mm