

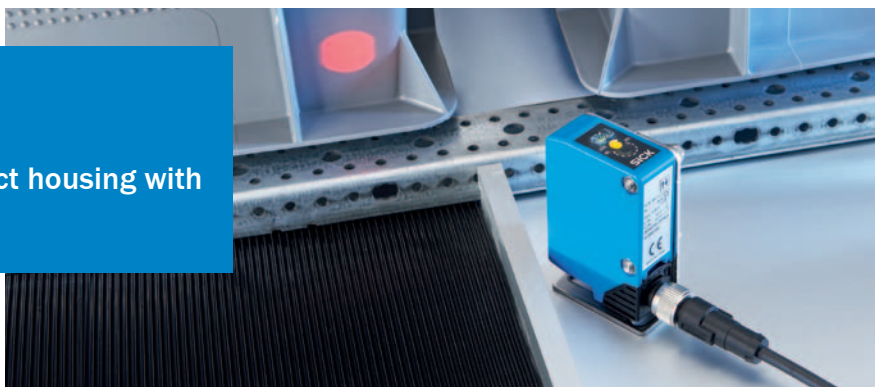


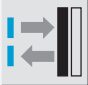
W250-2 Compact photoelectric sensors


High performance in a compact housing with universal AC/DC voltage


SICK
Sensor Intelligence.

High-performance in a compact housing with universal AC/DC voltage









Additional information

Detailed technical data.....	3
Ordering information.....	4
Dimensional drawings.....	5
Adjustments.....	6
Connection diagram.....	6
Sensing distance.....	6

Product description

The WT250 background suppression proximity sensors reliably detect at ranges up to 1000 mm. An easy-to-read positioning indicator provides approximate feedback of the adjusted range. Operating mode (light/dark) is selectable

via a control cable, which reduces the number of device variants. Both cable and rotatable M12 connector versions enhance this sensor's integration flexibility.

At a glance

- Visible red Bright Light LED
- Background suppression
- Potentiometer with an easy-to-read positioning indicator for adjusting the sensing range
- Cable or rotatable M12 connector
- Operating mode (light/dark) selectable via control wire
- Versions for 10 – 30 V DC or 24 – 240 V DC/ 24 – 240 V AC voltage supply in compact design

Your benefits

- Visible red light Bright Light LED simplifies alignment and easy-to-read positioning indicator for simple commissioning
- Reliable object detection in difficult ambient light conditions
- Cable or rotatable M12 connector provide installation flexibility
- Operating mode (light/dark) is selectable via a control cable to reduce the number of device variants
- Variants with DC voltage and universal AC/DC voltage in the same housing provide increased flexibility

→ www.mysick.com/en/WTB250-2
For more information, just enter the link and get direct access to technical data, CAD design models, operating instructions, software, application examples and much more.

Detailed technical data

Features

	DC	AC/DC
Sensor principle	Photoelectric proximity sensor	
Detection principle	Background suppression	
Dimensions (W x H x D)	20 mm x 65 mm x 43.9 mm	20 mm x 60 mm x 43.9 mm
Housing design (light emission)	Rectangular	
Sensing range max.	100 mm ... 1,000 mm ¹⁾ (depending on type)	
Sensing range	100 mm ... 1,000 mm ¹⁾ (depending on type)	
Type of light	Visible red light	
Light source ²⁾	BrightLight-LED	
Light spot (distance)		
Sensing range max. 300 mm	Ø 30 mm (300 mm)	
Sensing range max. 500 mm	Ø 30 mm (500 mm)	
Sensing range max. 1,000 mm	Ø 35 mm (1,000 mm)	
Sensing distance adjustment ³⁾	Potentiometer, 2-turn	

¹⁾ Object with 90 % reflectance (referred to standard white DIN 5033).

²⁾ Average service life 100,000 h at Ta = +25 °C.

³⁾ With position indicator.

Mechanics/electronics

	DC	AC/DC
Supply voltage	10 V DC ... 30 V DC ¹⁾	24 V DC ... 240 V DC ²⁾ 24 V AC/DC ... 240 V AC/DC ²⁾
Residual ripple ³⁾	≤ 5 V _{pp}	–
Power consumption	≤ 35 mA ⁴⁾	≤ 5 VA
Switching output	NPN, light/dark-switching, Selectable via L/D control wire, open collector PNP, light/dark-switching, Selectable via L/D control wire, open collector PNP, light switching, open collector (depending on type)	Relay, light switching, change-over contacts, electrically isolated ⁵⁾
Output current I_{max.}	100 mA	–
Switching current (switching voltage)	–	3 A (240 V AC) 3 A (30 V DC)
Response time	≤ 3 ms ⁶⁾	≤ 15 ms
Switching frequency ⁷⁾	160 Hz	33 Hz
Angle of dispersion	Approx. 3°	
Connection type	Cable, PVC, 0.18 mm ² , Ø 3.8 mm ⁸⁾ Connector M12, 4-pin	Cable, PVC, 0.76 mm ² , Ø 6.4 mm ⁸⁾
Circuit protection	A ⁹⁾ , B ¹⁰⁾ , C ¹¹⁾ , D ¹²⁾	A ⁹⁾ , C ¹¹⁾
Protection class	⊕	□ ¹³⁾
Overvoltage category	–	2
Weight		
Cable, 4-wire 2 m PVC	150 g	–
Connector M12, 4-pin	40 g	–
Cable, 5-wire 2 m PVC	–	160 g
Cable, 5-wire 5 m PVC	–	330 g
Housing material	Plastic, ABS	

	DC	AC/DC
Optics material	PMMA	
Enclosure rating	IP 67	
Items supplied	BEF-W250 mounting bracket	
Usage category	-	AC-15, DC-13, according to EN 60947-1
EMC ¹⁴⁾	EN 60947-5-2	
Ambient operating temperature	-25 °C ... +55 °C	
Ambient storage temperature	-40 °C ... +70 °C	

¹⁾ Limit values, operation in short-circuit protected network max. 8 A.

²⁾ +10 %.

³⁾ May not exceed or fall short of V_S .

⁴⁾ Without load.

⁵⁾ Provide suitable spark suppression for inductive or capacitive loads.

⁶⁾ Signal transit time with resistive load.

⁷⁾ With light/dark ratio 1:1.

⁸⁾ Do not bend below 0 °C.

⁹⁾ A = V_S connections reverse-polarity protected.

¹⁰⁾ B = inputs and output reverse-polarity protected.

¹¹⁾ C = interference suppression.

¹²⁾ D = outputs overcurrent and short-circuit protected.

¹³⁾ Reference voltage 250 V AC.

¹⁴⁾ The AC/DC devices meet the interference suppression requirements for industrial use (interference suppression class A). When used in residential areas it can cause interference.

Ordering information

DC

Sensing range max. ¹⁾	Output type	Switching mode	Connection	Model name	Part no.
100 mm ... 300 mm	NPN	Light/dark-switching	Cable, 4-wire, 2 m, PVC	WTB250-2N1131	6044672
			Connector M12, 4-pin	WTB250-2N2431	6044673
	PNP	Light/dark-switching	Cable, 4-wire, 2 m, PVC	WTB250-2P1131	6044674
			Connector M12, 4-pin	WTB250-2P2431	6044675
150 mm ... 500 mm	NPN	Light/dark-switching	Cable, 4-wire, 2 m, PVC	WTB250-2N1141	6044678
			Connector M12, 4-pin	WTB250-2N2441	6044679
	PNP	Light/dark-switching	Cable, 4-wire, 2 m, PVC	WTB250-2P1141	6044680
			Connector M12, 4-pin	WTB250-2P2441	6044682
		Light switching	Connector M12, 4-pin	WTB250-2F2441	6044685
200 mm ... 1,000 mm	NPN	Light/dark-switching	Cable, 4-wire, 2 m, PVC	WTB250-2N1151	6044686
			Connector M12, 4-pin	WTB250-2N2451	6044689
	PNP	Light/dark-switching	Cable, 4-wire, 2 m, PVC	WTB250-2P1151	6044690
			Connector M12, 4-pin	WTB250-2P2451	6044692

¹⁾ Object with 90 % reflectance (referred to standard white DIN 5033).

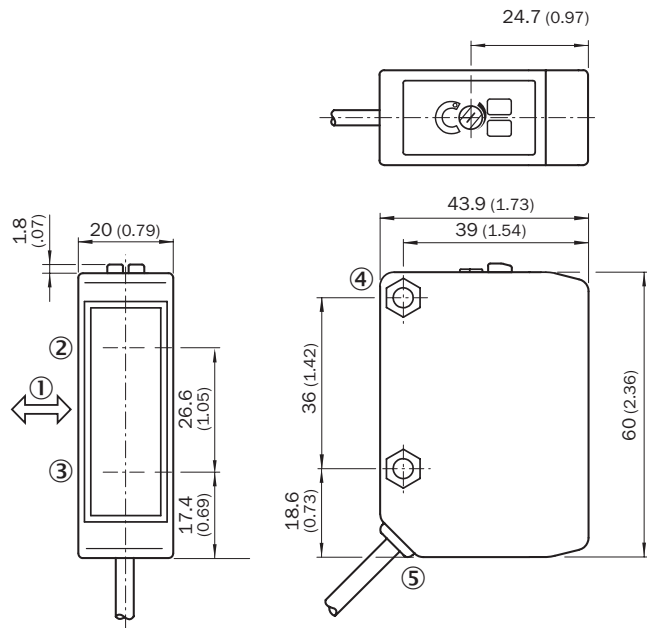
AC/DC

Sensing range max. ¹⁾	Output type	Switching mode	Connection	Model name	Part no.
100 mm ... 300 mm	Relay	Light switching	Cable, 5-wire, 2 m, PVC	WTB250-2R1531	6044676
150 mm ... 500 mm	Relay	Light switching	Cable, 5-wire, 2 m, PVC	WTB250-2R1541	6044683
			Cable, 5-wire, 5 m, PVC	WTB250-2R1641	6044684
200 mm ... 1,000 mm	Relay	Light switching	Cable, 5-wire, 2 m, PVC	WTB250-2R1551	6044693

¹⁾ Object with 90 % reflectance (referred to standard white DIN 5033).

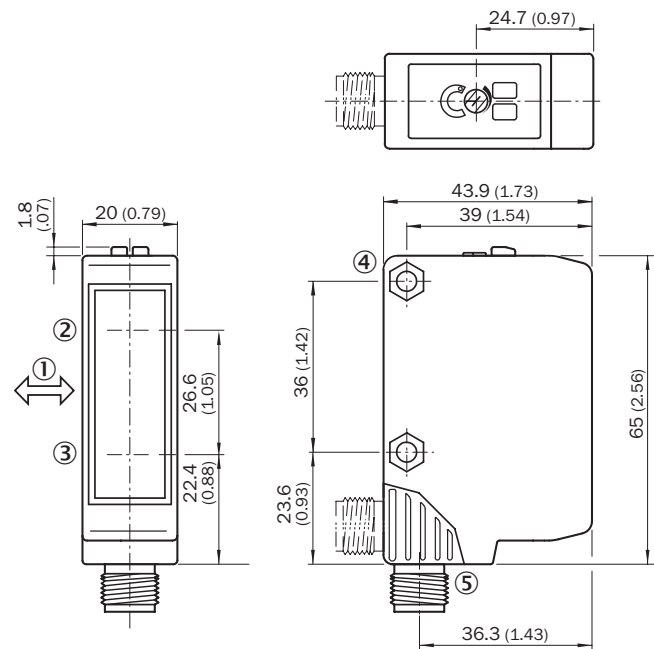
Dimensional drawings

WTB250-2, DC, cable



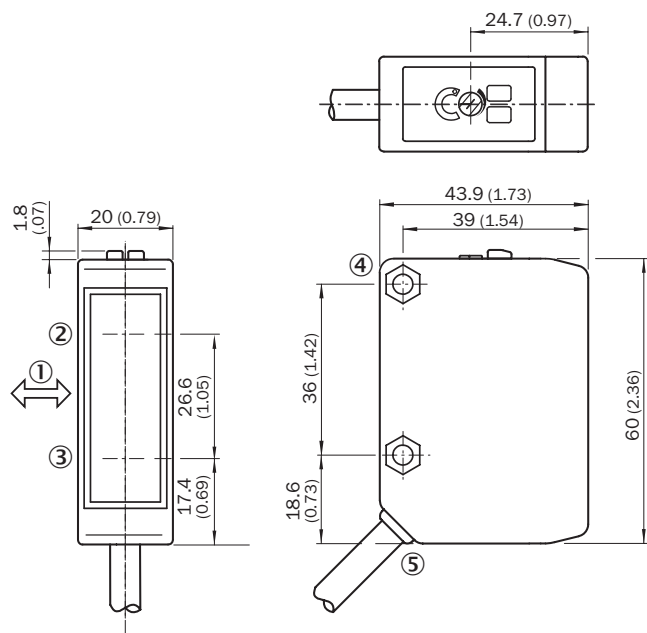
- ① Standard direction of the material being scanned
- ② Axis of sender
- ③ Axis of receiver
- ④ Mounting hole \varnothing 4.2 mm, for M4 hexagon nut on both sides
- ⑤ Connection cable

WTB250-2, DC, plug



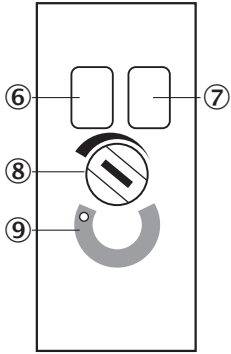
- ① Standard direction of the material being scanned
- ② Axis of sender
- ③ Axis of receiver
- ④ Mounting hole \varnothing 4.2 mm, for M4 hexagon nut on both sides
- ⑤ M12 plug - 4-pin: Plug position rotatable by 90° (V>H); V: Vertikal final position; H: Horizontal final position, can be locked with slider

WTB250-2, AC/DC, cable



- ① Standard direction of the material being scanned
- ② Axis of sender
- ③ Axis of receiver
- ④ Mounting hole \varnothing 4.2 mm, for M4 hexagon nut on both sides
- ⑤ Connection cable

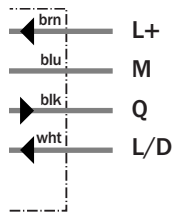
Adjustments



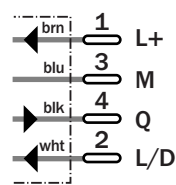
- ⑥ Status indicator LED green: stability indicator
- ⑦ Status indicator LED, yellow: Status of received light beam
- ⑧ Sensing distance adjustment: Poti
- ⑨ Position indicator for sensitivity setting (270°)

Connection diagram

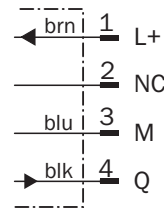
DC light/dark-switching, Cable, 4-wire



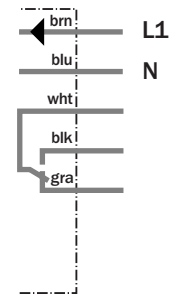
DC light/dark-switching, M12, 4-pin



DC, light switching, M12, 4-pin

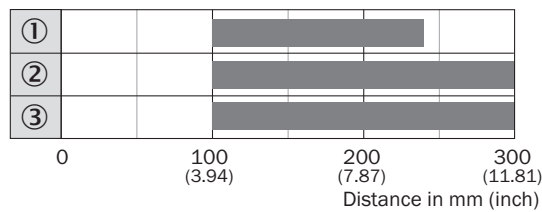


AC/DC light switching, Cable, 5-wire



Sensing distance

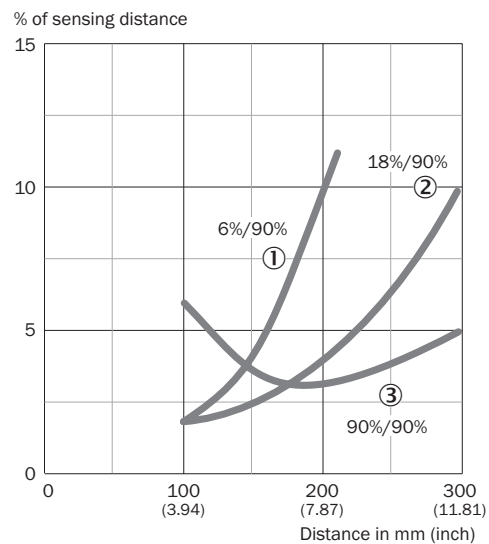
WTB250-2xxx3x



■ Operating distance

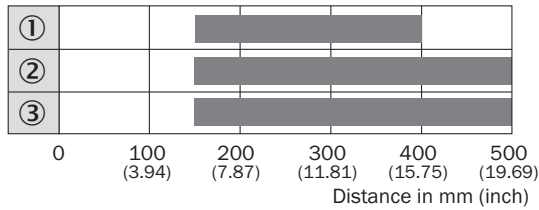
- ① Sensing range on black, background white
- ② Sensing range on gray, background white
- ③ Sensing range on white, background white

WTB250-2xxx3x



- ① Sensing range on black, background white
- ② Sensing range on gray, background white
- ③ Sensing range on white, background white

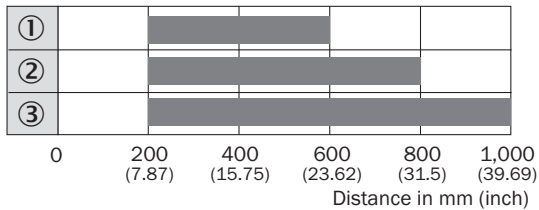
WTB250-2xxx4x



■ Operating distance

- ① Sensing range on black, background white
- ② Sensing range on gray, background white
- ③ Sensing range on white, background white

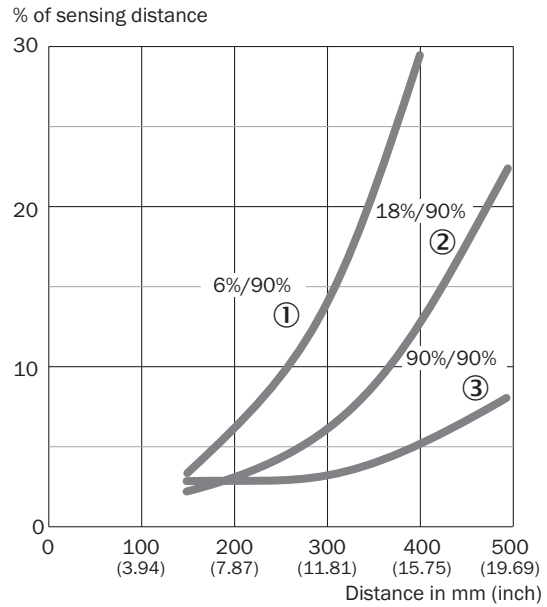
WTB250-2xxx5x



■ Operating distance

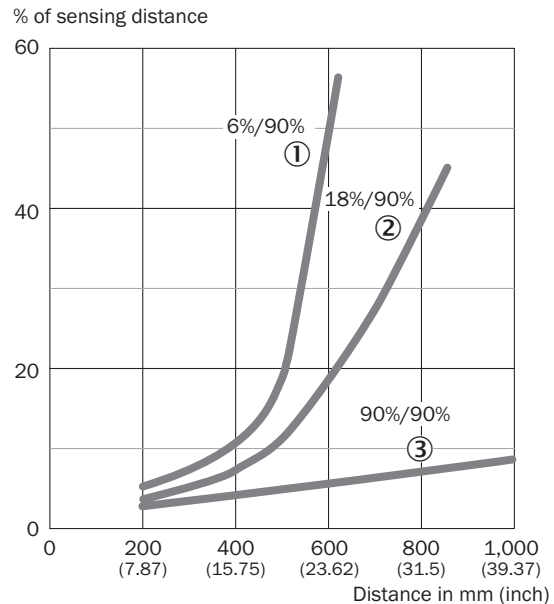
- ① Sensing range on black, background white
- ② Sensing range on gray, background white
- ③ Sensing range on white, background white

WTB250-2xxx4x



- ① Sensing range on black, background white
- ② Sensing range on gray, background white
- ③ Sensing range on white, background white

WTB250-2xxx5x



- ① Sensing range on black, background white
- ② Sensing range on gray, background white
- ③ Sensing range on white, background white

High-performance retro-reflective sensor in a compact housing with AC/DC



Product description

The WL250 retro-reflective sensors feature a universal AC/DC voltage variant in a very compact housing.

An easy-to-read sensitivity indicator provides approximate feedback of

the adjusted sensing range. Plus, the ready-to-mount installation kit includes a mounting bracket and reflector for easy integration. A version with a rotatable M12 connector is ideal for space-restricted installations.

At a glance

- Versions for 10 – 30 V DC or 24 – 240 V DC/ 24 – 240 V AC voltage supply in compact design
- Mounting bracket and P250 reflector included in delivery
- Visible red Bright Light LED
- Potentiometer sensitivity adjustment with indicator
- Operating mode (light/dark) selectable via control wire
- Cable or rotatable M12 connector

Your benefits

- Visible red Bright Light LED for simpler alignment of the sensors
- Universal AC/DC voltage variants provide high performance and increased flexibility in environments with limited space
- Mounting kit reduces installation time
- Simple power control for individual application adjustments via potentiometer
- Operating mode (light/dark) is selectable via a control cable to reduce the number of device variants
- Mounting compatibility - DC devices and DC/AC devices available in same design
- Polarizing filter ensures reliable detection, even with shiny targets



Additional information

Detailed technical data 9

Ordering information 10

Dimensional drawings 11

Adjustments 12

Connection diagram 12

Operating reserve 12

Scanning range 12

→ www.mysick.com/en/WL250-2
For more information, just enter the link and get direct access to technical data, CAD design models, operating instructions, software, application examples and much more.

Detailed technical data

Features

	DC	AC/DC
Sensor principle	Photoelectric retro-reflective sensor	
Dimensions (W x H x D)	20 mm x 65 mm x 43.9 mm	20 mm x 60 mm x 43.9 mm
Housing design (light emission)	Rectangular	
Sensing range max.	0.01 m ... 15 m ¹⁾ 0.01 m ... 12 m ²⁾	
Sensing range	0.01 m ... 13 m ¹⁾ 0.01 m ... 11 m ²⁾	
Type of light	Visible red light	
Light source ³⁾	BrightLight-LED	
Light spot (distance)	Ø 260 mm (8 m)	
Sensitivity adjustment ⁴⁾	Potentiometer, 2-turn	

¹⁾ PL80A.

²⁾ P250.

³⁾ Average service life 100,000 h at Ta = +25 °C.

⁴⁾ With position indicator.

Mechanics/electronics

	DC	AC/DC
Supply voltage	10 V DC ... 30 V DC ¹⁾	24 V DC ... 240 V DC ²⁾ 24 V AC/DC ... 240 V AC/DC ²⁾
Residual ripple ³⁾	≤ 5 V _{pp}	–
Power consumption	≤ 20 mA ⁴⁾	≤ 5 VA
Switching output	NPN, light/dark-switching, Selectable via L/D control wire, open collector PNP, light/dark-switching, Selectable via L/D control wire, open collector PNP, light switching, open collector (depending on type)	Relay, light switching, change-over contacts, electrically isolated ⁵⁾
Output current I_{max.}	≤ 100 mA	–
Switching current (switching voltage)	–	3 A (240 V AC) 3 A (30 V DC)
Response time	≤ 0.5 ms ⁶⁾	≤ 15 ms
Switching frequency ⁷⁾	1,000 Hz	33 Hz
Angle of dispersion	Approx. 2°	
Connection type	Cable, PVC, 0.18 mm ² , Ø 3.8 mm ⁸⁾ Connector M12, 4-pin	Cable, PVC, 0.76 mm ² , Ø 6.4 mm ⁸⁾
Circuit protection	A ⁹⁾ , B ¹⁰⁾ , C ¹¹⁾ , D ¹²⁾	A ⁹⁾ , C ¹¹⁾
Protection class	⊕	⊠ ¹³⁾
Overvoltage category	–	2
Weight		
Cable, 4-wire 2 m PVC	150 g	–
Connector M12, 4-pin	40 g	–
Cable, 4-wire 5 m PVC	320 g	–
Cable, 5-wire 2 m PVC	–	160 g
Cable, 5-wire 5 m PVC	–	330 g
Polarisation filter	✓	
Housing material	Plastic , ABS	

	DC	AC/DC
Optics material	PMMA	
Enclosure rating	IP 67	
Items supplied	Reflector P250, BEF-W250 mounting bracket	
Usage category	-	AC-15, DC-13, according to EN 60947-1
EMC ¹⁴⁾	EN 60947-5-2	
Ambient operating temperature	-25 °C ... +55 °C	
Ambient storage temperature	-40 °C ... +70 °C	

¹⁾ Limit values, operation in short-circuit protected network max. 8 A.

²⁾ +10 %.

³⁾ May not exceed or fall short of V_S .

⁴⁾ Without load.

⁵⁾ Provide suitable spark suppression for inductive or capacitive loads.

⁶⁾ Signal transit time with resistive load.

⁷⁾ With light/dark ratio 1:1.

⁸⁾ Do not bend below 0 °C.

⁹⁾ A = V_S connections reverse-polarity protected.

¹⁰⁾ B = inputs and output reverse-polarity protected.

¹¹⁾ C = interference suppression.

¹²⁾ D = outputs overcurrent and short-circuit protected.

¹³⁾ Reference voltage 250 V AC.

¹⁴⁾ The AC/DC devices meet the interference suppression requirements for industrial use (interference suppression class A). When used in residential areas it can cause interference.

Ordering information

DC

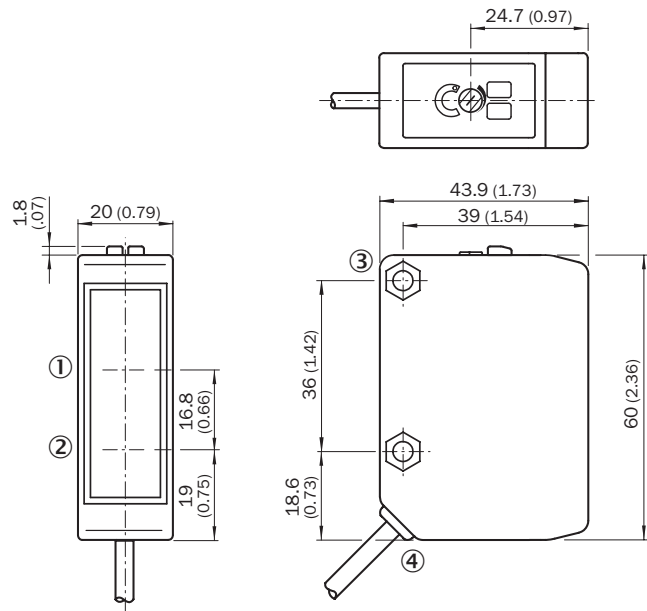
Sensing range max.	Output type	Switching mode	Connection	Model name	Part no.
0,01 m ... 15 m (PL80A) 0,01 m ... 12 m (P250)	NPN	Light/dark-switching	Cable, 4-wire, 2 m, PVC	WL250-2N1131	6044695
			Connector M12, 4-pin	WL250-2N2431	6044696
	PNP	Light/dark-switching	Cable, 4-wire, 2 m, PVC	WL250-2P1131	6044697
			Cable, 4-wire, 5 m, PVC	WL250-2P1231	6044698
			Connector M12, 4-pin	WL250-2P2431	6044699
			Light switching	Connector M12, 4-pin	WL250-2F2431

AC/DC

Sensing range max.	Output type	Switching mode	Connection	Model name	Part no.
0,01 m ... 15 m (PL80A) 0,01 m ... 12 m (P250)	Relay	Light switching	Cable, 5-wire, 2 m, PVC	WL250-2R1531	6044700
			Cable, 5-wire, 5 m, PVC	WL250-2R1631	6044701

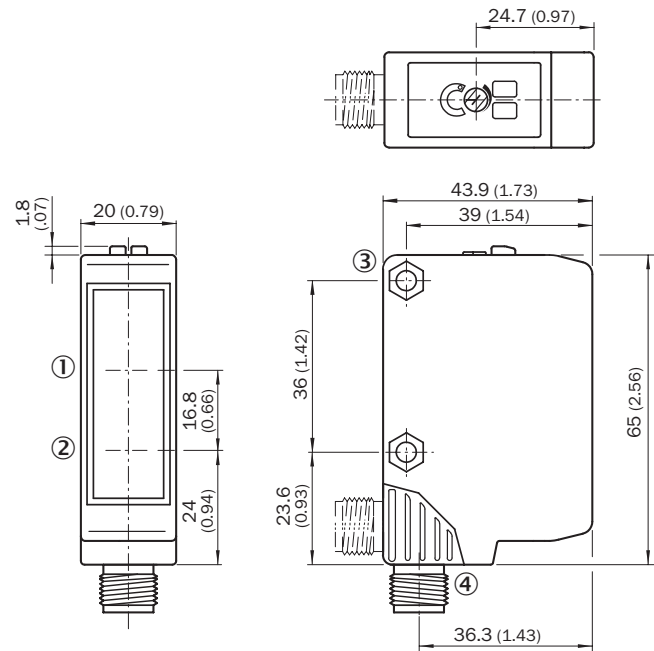
Dimensional drawings

WL250-2, DC, cable



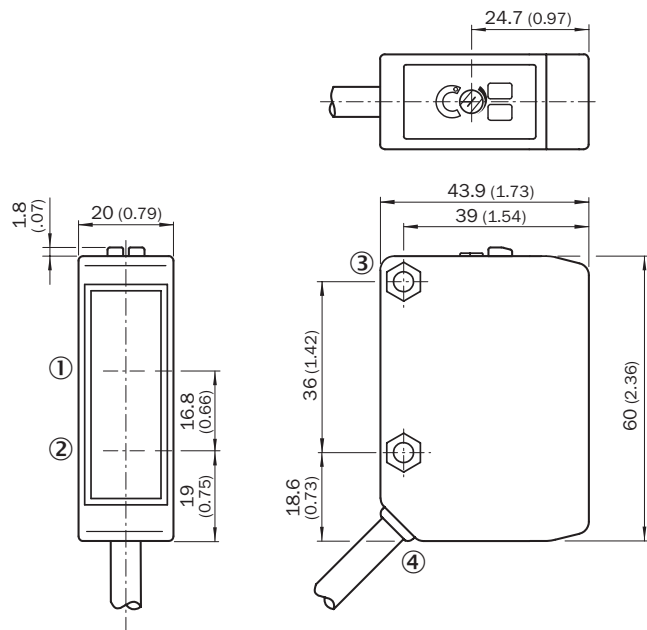
- ① Reception axis
- ② Axis of sender
- ③ Mounting hole \varnothing 4.2 mm, for M4 hexagon nut on both sides
- ④ Connection cable

WL250-2, DC, plug



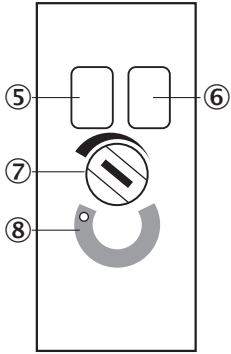
- ① Reception axis
- ② Axis of sender
- ③ Mounting hole \varnothing 4.2 mm, for M4 hexagon nut on both sides
- ④ M12 plug - 4-pin: Plug position rotatable by 90° (V>H); V: Vertikal final position; H: Horizontal final position, can be locked with slider

WL250-2, AC/DC, cable



- ① Reception axis
- ② Axis of sender
- ③ Mounting hole \varnothing 4.2 mm, for M4 hexagon nut on both sides
- ④ Connection cable

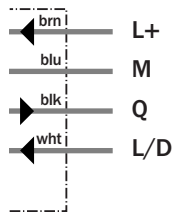
Adjustments



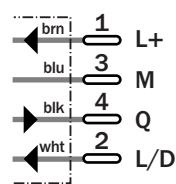
- ⑤ Status indicator LED green: sensibility indicator⑥
Status indicator LED, yellow: Status of received light beam
- ⑦ Sensitivity adjustment: poti
- ⑧ Position indicator for sensitivity setting (270°)

Connection diagram

DC light/dark-switching, Cable, 4-wire



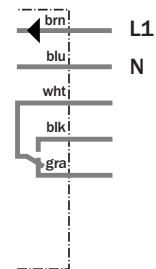
DC light/dark-switching, M12, 4-pin



DC, light switching, M12, 4-pin

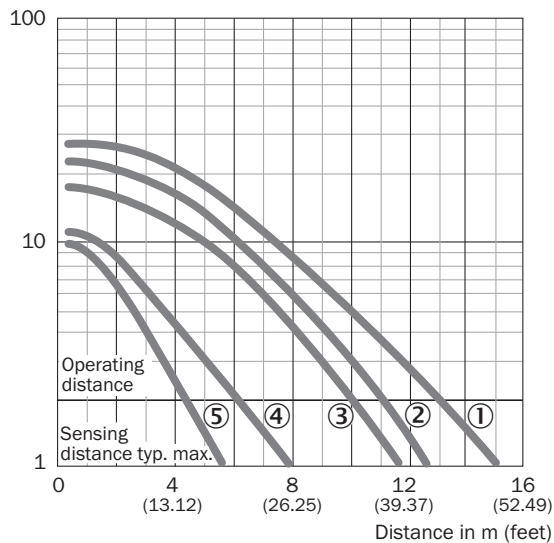


AC/DC light switching, Cable, 5-wire



Operating reserve

Function reserve



- ① Reflector type PL80A
- ② Reflector type P205
- ③ Reflector type PL50A, PL40A, PL30A, PL31A
- ④ Reflector type PL20A
- ⑤ Reflective tape Diamond Grade (100 mm x 100 mm/3.94 inch x 3.94 inch)

Sensing range

①	0.01									13	15
②	0.01								11	12	
③	0.01								10	11.5	
④	0.01								6	8	
⑤	0.08								4.5	5.5	
		0	4	8	12	16					
			(13.12)	(26.25)	(39.37)	(52.49)					

- Operating distance ■ Sensing range max. typ.
- ① Reflector type PL80A, C110A
- ② Reflector type P205
- ③ Reflector type PL50A, PL40A, PL30A, PL31A
- ④ Reflector type PL20A
- ⑤ Reflective tape Diamond Grade (100 mm x 100 mm/3.94 inch x 3.94 inch)

High-performance through-beam sensor in a compact housing with AC/DC



Product description

The WS/WE250 through-beam sensors feature a universal AC/DC voltage variant in a very compact housing. Potentiometer with an easy-to-read positioning indicator for adjusting the sensing range.

Plus, the ready-to-mount installation kit includes a mounting bracket for easy integration. A version with a rotatable M12 connector is ideal for space-restricted installations.

At a glance

- Very high sensing range in compact housing
- Versions for 10 – 30 V DC or 24 – 240 V DC/ 24 – 240 V AC voltage supply in compact design
- Mounting bracket included in delivery
- Potentiometer with an easy-to-read positioning indicator for adjusting the sensing range
- Operating mode (light/dark) selectable via control wire
- Cable or rotatable M12 connector

Your benefits

- Universal AC/DC voltage variants provide high performance and increased flexibility in environments with limited space
- High performance reserve in harsh environmental conditions
- Mounting kit reduces installation time
- Operating mode (light/dark) is selectable via a control cable to reduce the number of device variants
- Mounting compatibility - DC devices and AC/DC devices available in same design



Additional information

Detailed technical data 15

Ordering information 16

Dimensional drawings 17

Adjustments 18

Connection diagram 19

Operating reserve 19

Scanning range 19

→ www.mysick.com/en/WSE250-2
For more information, just enter the link and get direct access to technical data, CAD design models, operating instructions, software, application examples and much more.

Detailed technical data

Features

	DC	AC/DC
Sensor principle	Through-beam photoelectric sensor	
Dimensions (W x H x D)	20 mm x 65 mm x 43.9 mm	20 mm x 60 mm x 43.9 mm
Housing design (light emission)	Rectangular	
Sensing range max.	0 m ... 50 m	
Sensing range	0 m ... 40 m	
Type of light	Visible red light	
Light source ¹⁾	BrightLight-LED	
Light spot (distance)	Ø 0.6 m (20 m)	
Sensitivity adjustment ²⁾	Potentiometer, 2-turn	

¹⁾ Average service life 100,000 h at Ta = +25 °C.

²⁾ With position indicator.

Mechanics/electronics

	DC	AC/DC	
Supply voltage	10 V DC ... 30 V DC ⁴⁾	24 V DC ... 240 V DC ²⁾ 24 V AC/DC ... 240 V AC/DC ²⁾	
Residual ripple ³⁾	≤ 5 V _{pp}	–	
Power consumption, sender	20 mA ⁴⁾	≤ 3,5 VA	
Power consumption, receiver	20 mA ⁴⁾	≤ 3,5 VA	
Switching output	NPN, light/dark-switching, Selectable via L/D control wire, open collector PNP, light/dark-switching, Selectable via L/D control wire, open collector PNP, light switching, open collector (depending on type)	Relay, light switching, change-over contacts, electrically isolated ⁵⁾	
Output current I_{max.}	≤ 100 mA	–	
Switching current (switching voltage)	–	3 A (240 V AC) 3 A (30 V DC)	
Response time	≤ 0.5 ms ⁶⁾	≤ 15 ms	
Switching frequency ⁷⁾	1,000 Hz	33 Hz	
Angle of dispersion	Approx. 2°		
Angle of reception	20°		
Connection type	Cable, PVC, 0.18 mm ² , Ø 3.8 mm ⁸⁾ Connector	Cable, PVC, 0.76 mm ² , Ø 6.4 mm ⁸⁾	
Circuit protection	A ⁹⁾ , B ¹⁰⁾ , C ¹¹⁾ , D ¹²⁾	A ⁹⁾ , C ¹¹⁾	
Protection class	⊕	⊕ ¹³⁾	
Overvoltage category	–	2	
Weight			
	Cable, 4-wire 2 m PVC	300 g	–
	Connector M12, 4-pin	80 g	–
	Cable, 5-wire 2 m PVC	–	310 g
	Cable, 5-wire 5 m PVC	–	660 g
Housing material	ABS, Plastic		
Optics material	PMMA		
Enclosure rating	IP 67		
Items supplied	BEF-W250 mounting bracket		

	DC	AC/DC
Usage category	-	AC-15, DC-13, according to EN 60947-1
EMC ¹⁴⁾	EN 60947-5-2	
Ambient operating temperature	-25 °C ... +55 °C	
Ambient storage temperature	-40 °C ... +70 °C	

¹⁾ Limit values, operation in short-circuit protected network max. 8 A.

²⁾ +10 %.

³⁾ May not exceed or fall short of V_S .

⁴⁾ Without load.

⁵⁾ Provide suitable spark suppression for inductive or capacitive loads.

⁶⁾ Signal transit time with resistive load.

⁷⁾ With light/dark ratio 1:1.

⁸⁾ Do not bend below 0 °C.

⁹⁾ A = V_S connections reverse-polarity protected.

¹⁰⁾ B = inputs and output reverse-polarity protected.

¹¹⁾ C = interference suppression.

¹²⁾ D = outputs overcurrent and short-circuit protected.

¹³⁾ Reference voltage 250 V AC.

¹⁴⁾ The AC/DC devices meet the interference suppression requirements for industrial use (interference suppression class A). When used in residential areas it can cause interference.

Ordering information

DC

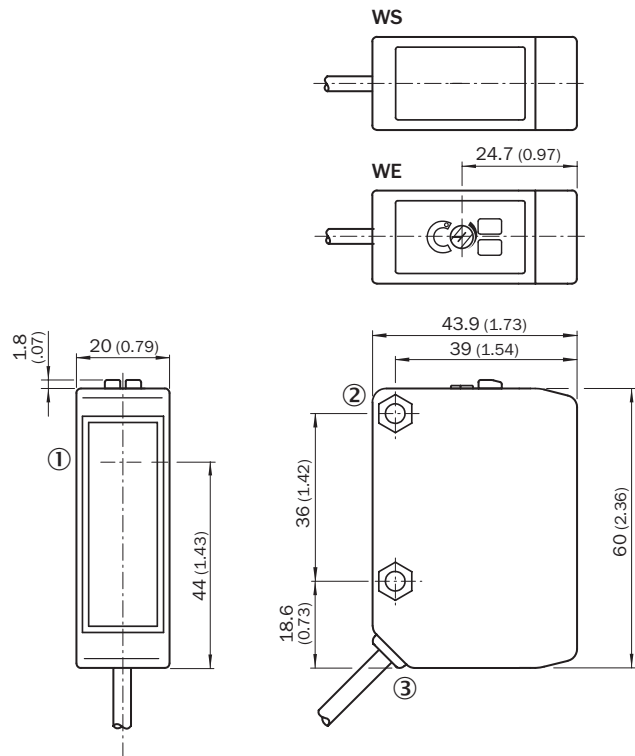
Sensing range max.	Output type	Switching mode	Connection	Model name	Part no.	
0 m ... 50 m	NPN	Light/dark-switching	Cable, 4-wire, 2 m, PVC	WSE250-2N1131	6044709	
			Connector M12, 4-pin	WSE250-2N2431	6044711	
	PNP	Light/dark-switching	Cable, 4-wire, 2 m, PVC	WSE250-2P1131	6044703	
			Connector M12, 4-pin	WSE250-2P2431	6044705	
			Light switching	Connector M12, 4-pin	WSE250-2F2431	6044706

AC/DC

Sensing range max.	Output type	Switching mode	Connection	Model name	Part no.
0 m ... 50 m	Relay	Light switching	Cable, 5-wire, 2 m, PVC	WSE250-2R1531	6044707
	Relay	Light switching	Cable, 5-wire, 5 m, PVC	WSE250-2R1631	6044708

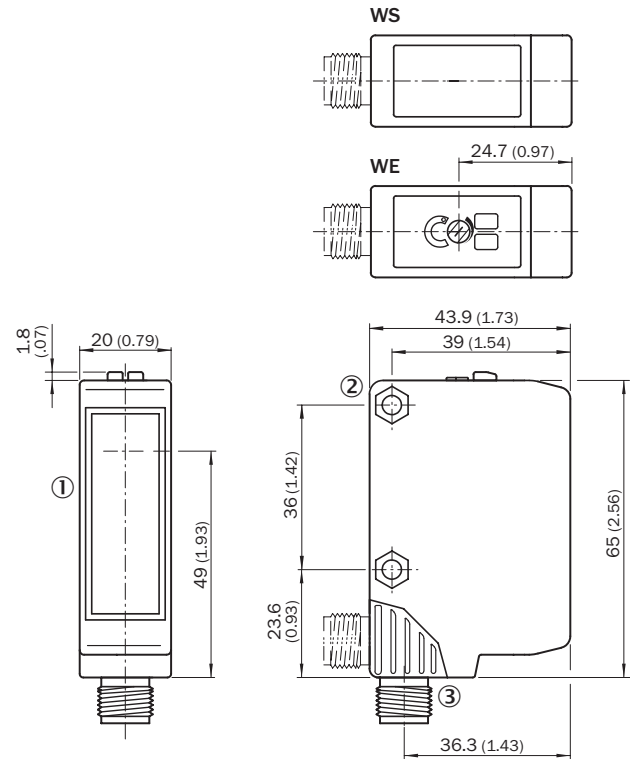
Dimensional drawings

WSE250-2, DC, cable



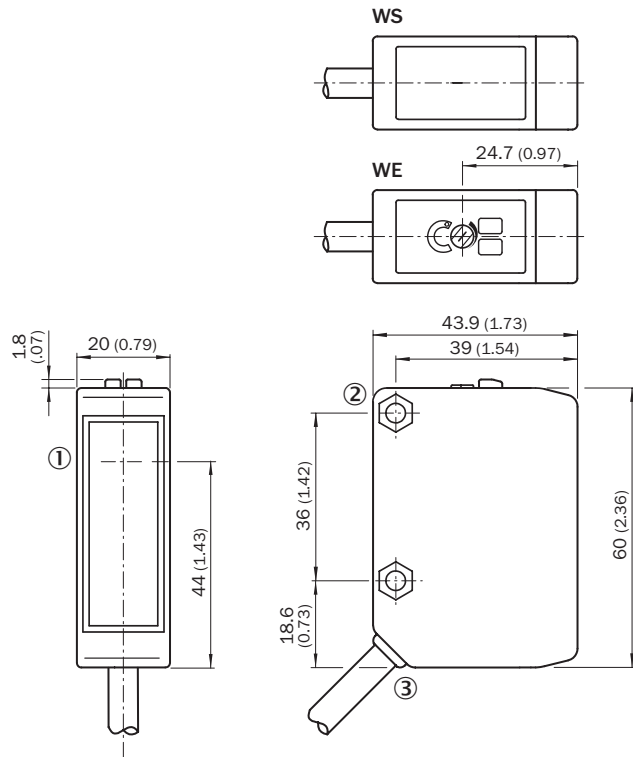
- ① Center of the optical axis, sender (WS 250), receiver (WE 250)
- ② Mounting hole \varnothing 4.2 mm, for M4 hexagon nut on both sides
- ③ Connection cable

WSE250-2, DC, plug



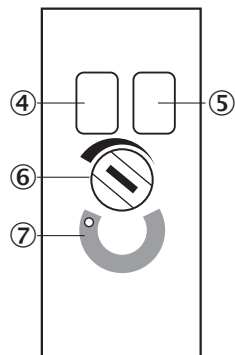
- ① Center of the optical axis, sender (WS 250), receiver (WE 250)
- ② Mounting hole \varnothing 4.2 mm, for M4 hexagon nut on both sides
- ③ M12 plug - 4-pin: Plug position rotatable by 90° (V>H); V: Vertikal final position; H: Horizontal final position, can be locked with slider

WSE250-2, AC/DC, cable



- ① Center of the optical axis, sender (WS 250), receiver (WE 250)
- ② Mounting hole \varnothing 4.2 mm, for M4 hexagon nut on both sides
- ③ Connection cable

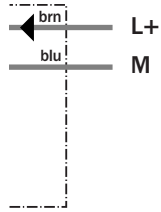
Adjustments



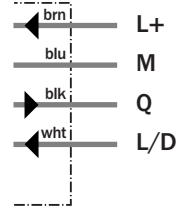
- ④ Status indicator LED green: stability indicator⑤
Status indicator LED, yellow: Status of received light beam
- ⑥ Sensitivity adjustment: poti
- ⑦ Position indicator for sensitivity setting (270°)

Connection diagram

DC, sender, cable, 4-wire, light-switching



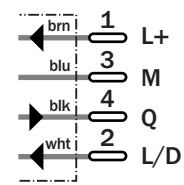
DC, receiver, cable, 4-wire, light/dark-switching



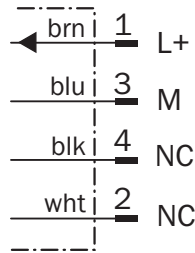
DC, sender, Connector M12, 4-pin



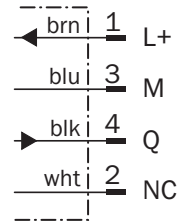
DC, receiver, connector M12, 4-pin, light/dark-switching



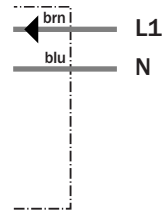
DC, sender, Connector M12, 4-pin



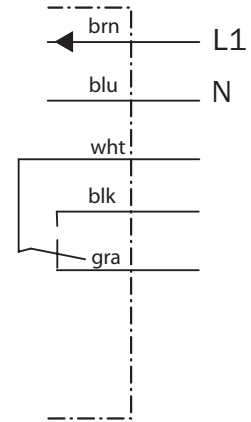
DC, receiver, connector M12, 4-pin, light-switching



AC/DC, sender, cable, 5-wire

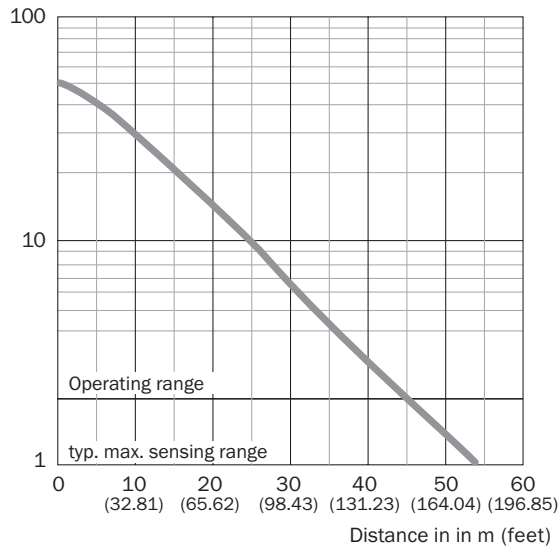


AC/DC, sender, cable, 5-wire, light switching

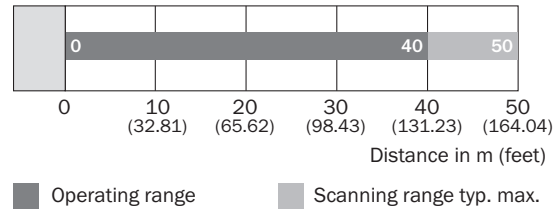


Operating reserve

Operating reserve




Sensing range










W250-2

Mounting brackets/plates



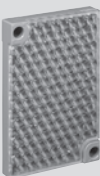
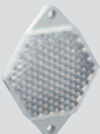

Figure	Accessory type	Material	Model name	Part no.	WTB250-2	WL250-2	WSE250-2
	Mounting brackets	Steel, zinc coated	BEF-W250	5305850	●	●	●

Plug connectors and cables

- Connector M12, 4-pin
- Connector type: Female connector










Figure	Flying leads	Enclosure rating	Sheath material	Cable length	Model name	Part no.	WTB250-2	WL250-2	WSE250-2
	Straight	IP 67	PVC	2 m	DOL-1204-G02M	6009382	●	●	●
				5 m	DOL-1204-G05M	6009866	●	●	●
				10 m	DOL-1204-G10M	6010543	●	●	●
				15 m	DOL-1204-G15M	6010753	●	●	●
	Straight	IP 68	PUR halogen free	2 m	DOL-1204-G02MC	6025900	●	●	●
				5 m	DOL-1204-G05MC	6025901	●	●	●
				10 m	DOL-1204-G10MC	6025902	●	●	●
				15 m	DOL-1204-G15MC	6034749	●	●	●
	Straight	IP 69K	PVC	2 m	DOL-1204-G02MN	6028128	●	●	●
				5 m	DOL-1204-G05MN	6028130	●	●	●
				10 m	DOL-1204-G10MN	6028132	●	●	●
				25 m	DOL-1204-G25MN	6028134	●	●	●
	Angled	IP 67	PVC	2 m	DOL-1204-W02M	6009383	●	●	●
				5 m	DOL-1204-W05M	6009867	●	●	●
				10 m	DOL-1204-W10M	6010541	●	●	●
	Angled	IP 68	PUR halogen free	2 m	DOL-1204-W02MC	6025903	●	●	●
				5 m	DOL-1204-W05MC	6025904	●	●	●
				10 m	DOL-1204-W10MC	6025905	●	●	●
	Straight	IP 67	PBT	-	DOS-1204-G	6007302	●	●	●
	Angled		PBT	-	DOS-1204-W	6007303	●	●	●

Reflectors

Figure	Accessory type	Dimensions (L x W x H)	Material	Model name	Part no.	WTB250-2	WL250-2	WSE250-2
	Angular	47 mm x 47 mm	PMMA/ABS	P250	5304812	-	●	-
		15 mm x 38 mm	PMMA/ABS	PL20A	1012719	-	●	-
		28 mm x 56 mm	PMMA/ABS	PL30A	1002314	-	●	-
				PL31A	1002315	-	●	-
		37 mm x 56 mm	PMMA/ABS	PL40A	1012720	-	●	-
		-	PMMA/ABS	PL50A	1000132	-	●	-
		80 mm x 80 mm	PMMA/ABS	PL80A	1003865	-	●	-
		Reflective tape	91.4 cm x 74.9 cm ¹⁾	-	REF-DG-K	4019634	-	●

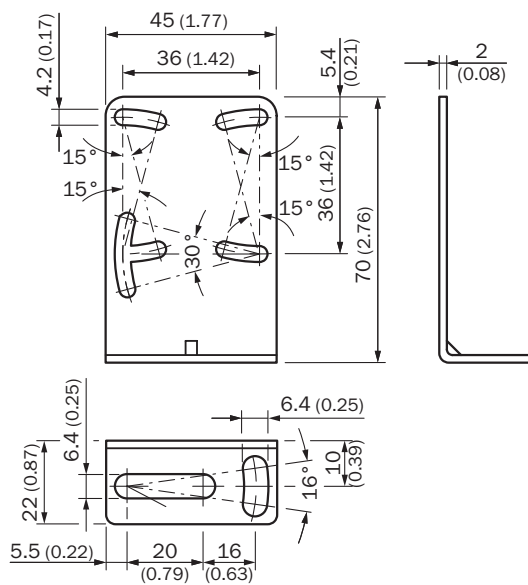
Terminal and alignment brackets

- Accessory type: Universal terminal systems

Figure	Material	Model name	Part no.	WTB250-2	WL250-2	WSE250-2
	Zinc plated steel (sheet), Diecast zinc (clamp)	BEF-KHS-N02	2051608	●	●	●
	Steel, zinc coated	BEF-KHS-L01	2023057	●	●	●
		BEF-MS12G-A	4056054	●	●	●
		BEF-MS12G-B	4056055	●	●	●
		BEF-MS12L-A	4056052	●	●	●
		BEF-MS12L-B	4056053	●	●	●
		BEF-MS12Z-A	4056056	●	●	●
		BEF-MS12Z-B	4056057	●	●	●
	Aluminum	BEF-RMC-D12	5321878	●	●	●

Dimensional drawings Mounting brackets/plates

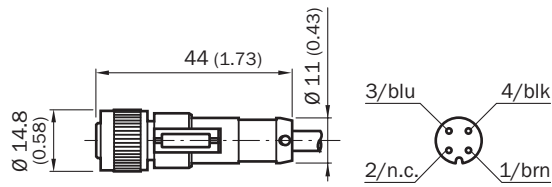
BEF-W250



All dimensions in mm (inch)

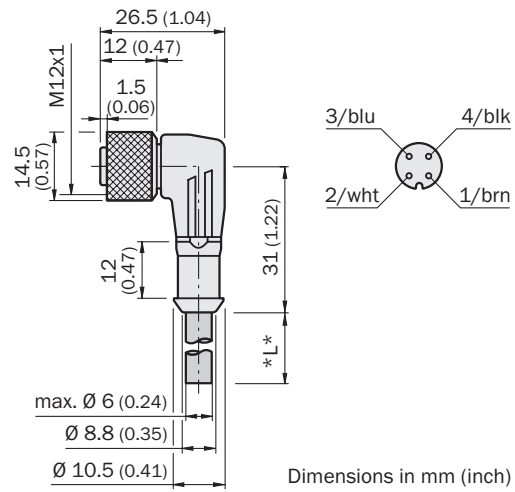
Dimensional drawings Plug connectors and cables

DOL-1204-GxxM, DOL-1204-GxxMC, DOL-1204-GxxMN



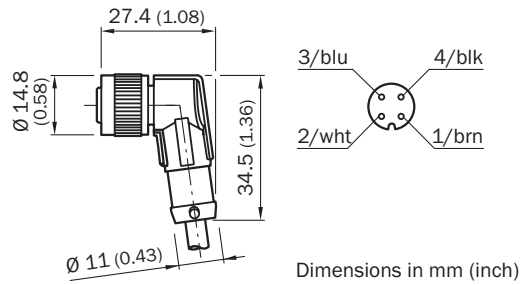
Dimensions in mm (inch)

DOL-1204-WxxM



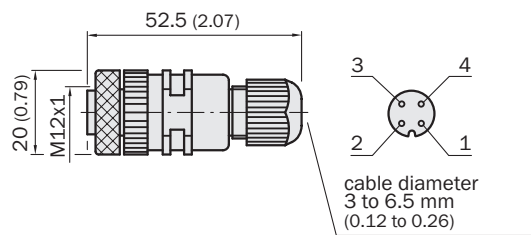
Dimensions in mm (inch)

DOL-1204-WxxMC



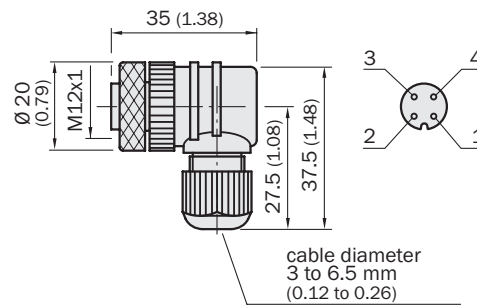
Dimensions in mm (inch)

DOS-1204-G



Dimensions in mm (inch)

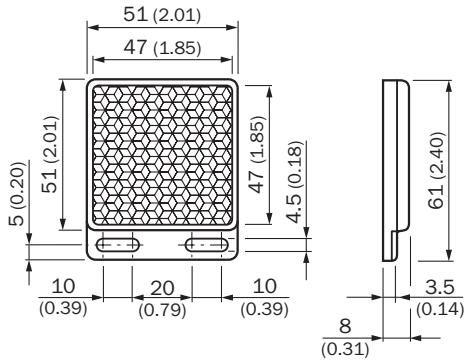
DOS-1204-W



Dimensions in mm (inch)

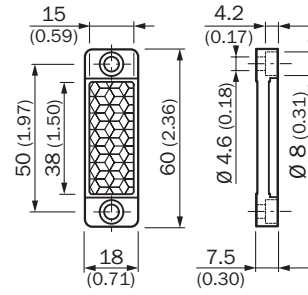
Dimensional drawings Reflectors

P250



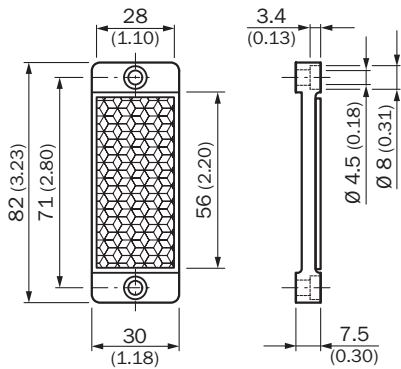
All dimensions in mm (inch)

PL20A



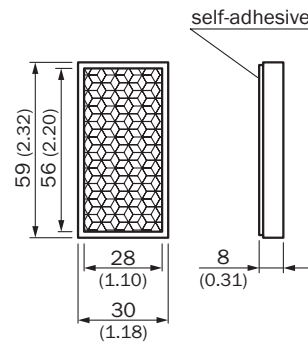
All dimensions in mm (inch)

PL30A



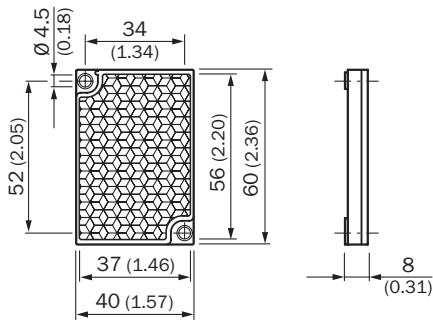
All dimensions in mm (inch)

PL31A



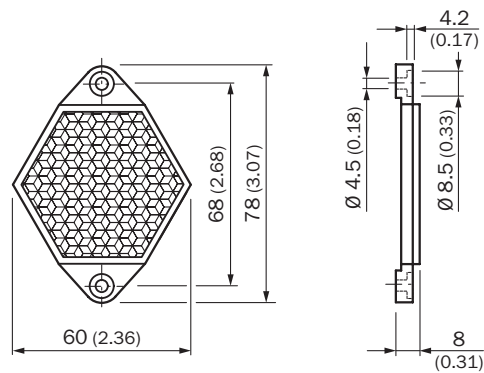
All dimensions in mm (inch)

PL40A



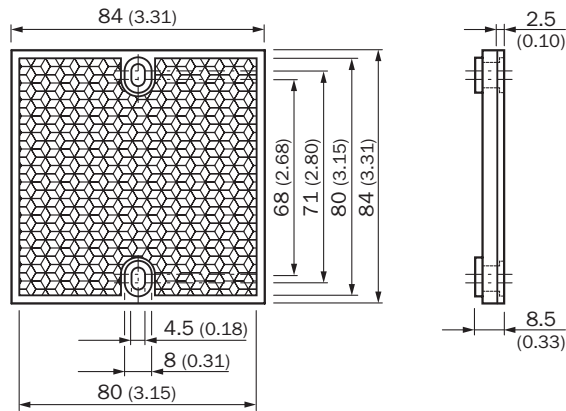
All dimensions in mm (inch)

PL50A



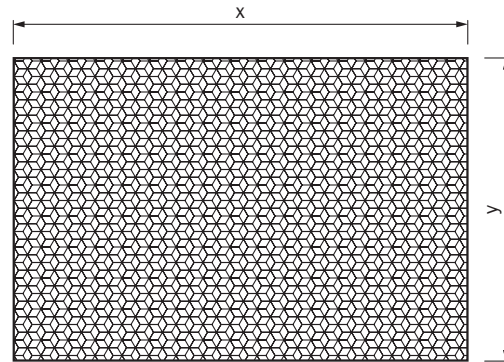
All dimensions in mm (inch)

PL80A



All dimensions in mm (inch)

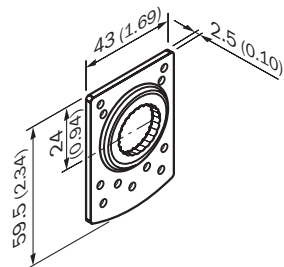
REF-DG-K



- ① X = 74.9 cm
- ② Y = 91.4 cm

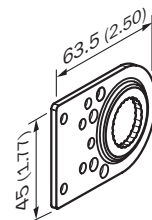
Dimensional drawings Terminal and alignment brackets

BEF-KHS-N02



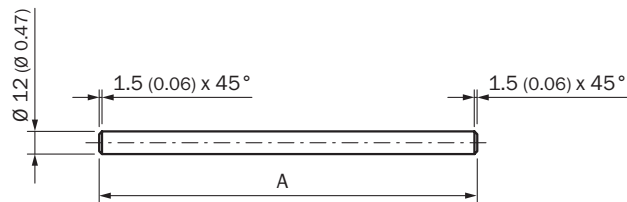
All dimensions in mm (inch)

BEF-KHS-N08



All dimensions in mm (inch)

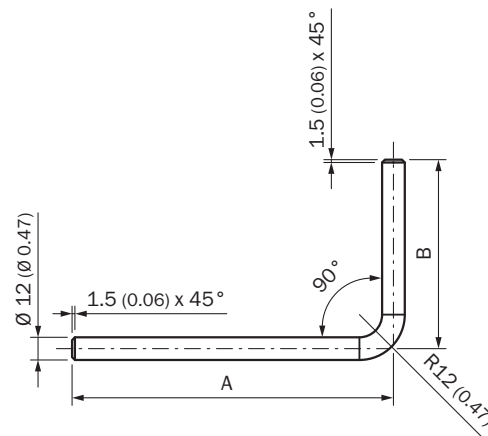
BEF-MS12G-A
BEF-MS12G-B



All dimensions in mm (inch)

- ① A = 200 mm (BEF-MS12G-A)
- ② A = 300 mm (BEF-MS12G-B)

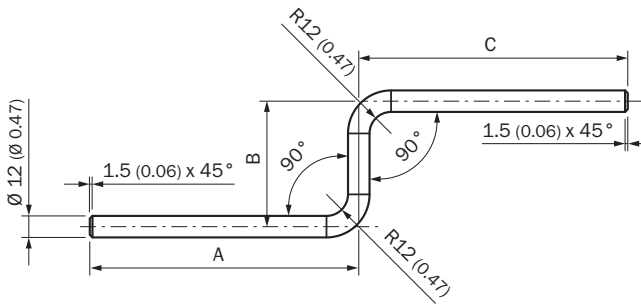
BEF-MS12L-A
BEF-MS12L-B



All dimensions in mm (inch)

- ① A = 150 mm, B = 150 mm (BEF-MS12L-A)
- ② A = 250 mm, B = 250 mm (BEF-MS12L-B)

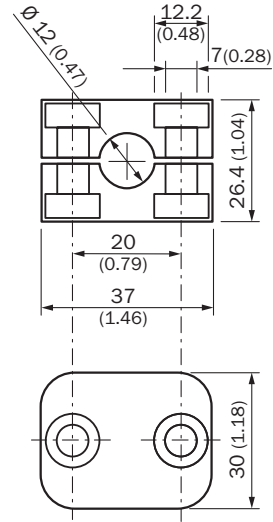
BEF-MS12Z-A
BEF-MS12Z-B



All dimensions in mm (inch)

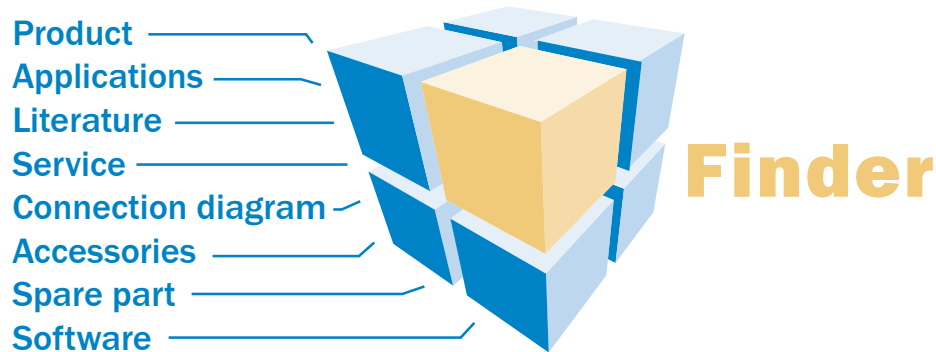
- ① A = 150 mm, B = 70 mm, C = 150 mm (BEF-MS12Z-A)
- ② A = 150 mm, B = 70 mm, C = 250 mm (BEF-MS12Z-B)

BEF-RMC-D12



All dimensions in mm (inch)

Search online quickly and safely with the SICK „Finders“



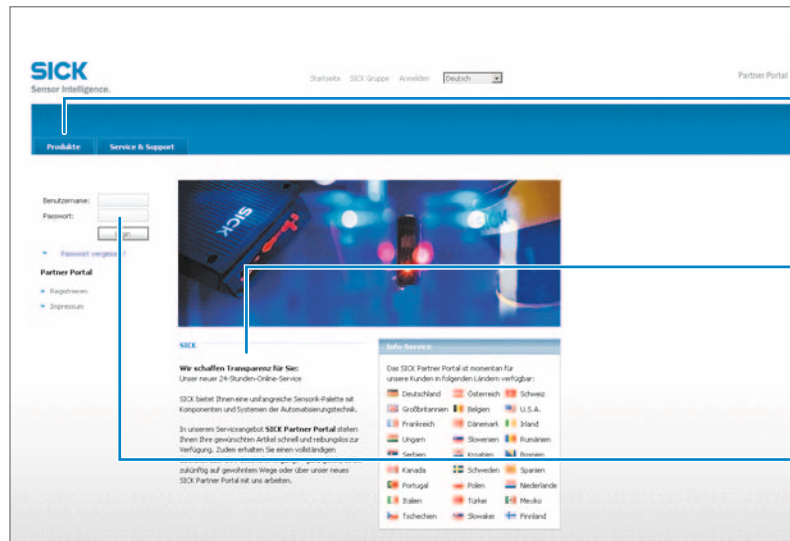
Product Finder: We can help you to quickly target the product that best matches your application.

Applications Finder: Select the application description on the basis of the challenge posed, industrial sector, or product group.

Literature Finder: Go directly to the operating instructions, technical information, and other literature on all aspects of SICK products.

These and other Finders at www.mysick.com

Efficiency – with SICK e-commerce tools



Clearly structured: You can find everything you need for your sensor planning under the menu items Products, Information, and My Account.

Available 24 hours a day: Regardless of where you are in the world or what you would like to know – everything is just a click away at www.mysick.com.

Safe: Your data is password-protected and only visible to you. With the individual user management, you define who can see what data and who can execute what actions.

Find out prices and availability

Determine the price and possible delivery date of your desired product simply and quickly at any time.

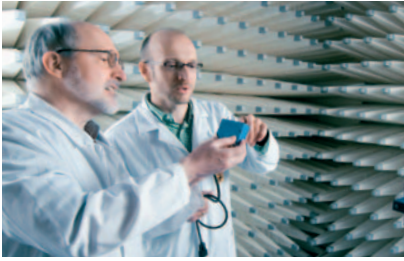
Request or view a quote

You can have a quote generated online here. Every quote is confirmed to you via e-mail.

Order online

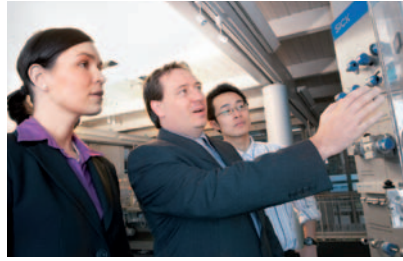
You can go through the ordering process in just a few steps.

SICK at a glance



Leading technologies

With a staff of more than 5,000 and over 50 subsidiaries and representations worldwide, SICK is one of the leading and most successful manufacturers of sensor technology. The power of innovation and solution competency have made SICK the global market leader. No matter what the project and industry may be, talking with an expert from SICK will provide you with an ideal basis for your plans – there is no need to settle for anything less than the best.



Unique product range

- Non-contact detecting, counting, classifying, positioning and measuring of any type of object or media
- Accident and operator protection with sensors, safety software and services
- Automatic identification with bar code and RFID readers
- Laser measurement technology for detecting the volume, position and contour of people and objects
- Complete system solutions for analysis and flow measurement of gases and liquids



Comprehensive services

- SICK LifeTime Services – for safety and productivity
- Application centers in Europe, Asia and North America for the development of system solutions under real-world conditions
- E-Business Partner Portal www.mysick.com – price and availability of products, requests for quotation and online orders

Worldwide presence with subsidiaries in the following countries:

Australia
Belgium/Luxembourg
Brasil
Česká Republika
Canada
China
Danmark
Deutschland
España
France
Great Britain
India
Israel
Italia
Japan

México
Nederland
Norge
Österreich
Polska
România
Russia
Schweiz
Singapore
Slovenija
South Africa
South Korea
Suomi
Sverige
Taiwan
Türkiye
United Arab Emirates
USA

Please find detailed addresses and additional representatives and agencies in all major industrial nations at www.sick.com