

# GN 147.3 | Connecting clamps with base

Aluminium



- 1
- 2
- 3
- 4
- 5
- 6
- 7
- 8
- 9
- 10
- 11
- 12
- 13
- 14
- 15
- 16
- 17
- 18
- 

## MATERIAL

Aluminium, matte finish.  
AISI 304 stainless steel screws and nuts.

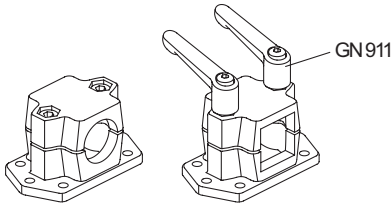
## STANDARD EXECUTIONS

- **GN 147.3-B-BL**: round hole, natural aluminium.
- **GN 147.3-B-SW**: round hole, aluminium, epoxy resin coating, RAL 9005 black colour.
- **GN 147.3-V-BL**: square hole, natural aluminium.
- **GN 147.3-V-SW**: square hole, aluminium, epoxy resin coating, RAL 9005 black colour.

## FEATURES AND APPLICATIONS

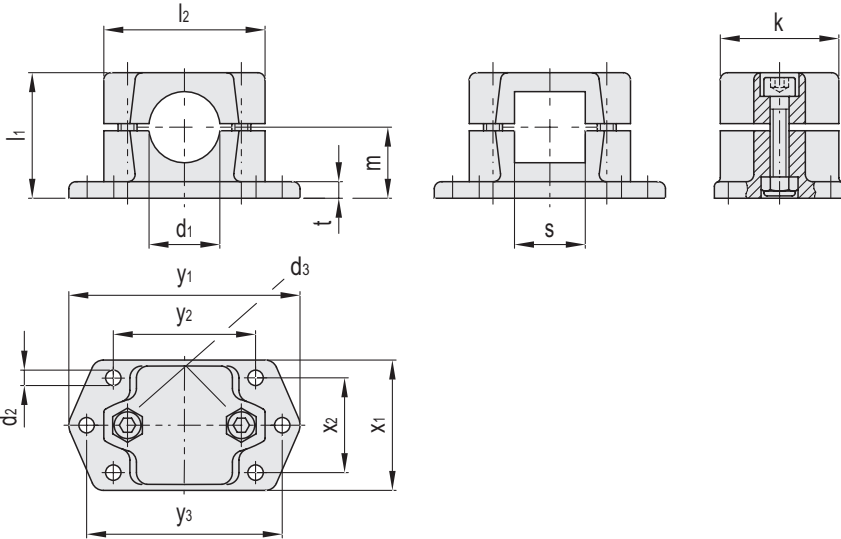
The fixing hole in GN 147.3 connecting clamps permits optimal use with the tubes GN 990 (see page 1778).

The clamping screw d3 may be replaced by clamping kit GN 911 (see page 1782).



**GN 147.3-B**

**GN 147.3-V**



## GN 147.3-B

Code	Description	d1	d2	d3	k	l1	l2	m	t	x1	x2	y1	y2	y3	d3 Clamping kit	⚖️
GN.47601	GN 147.3-B20-2-BL	20	6.5	M8	50	53	68	30	7	55	40	97.5	60	82.5	GN 911-M8-45	78
GN.47605	GN 147.3-B25-2-BL	25	6.5	M8	50	53	68	30	7	55	40	97.5	60	82.5	GN 911-M8-45	146
GN.47609	GN 147.3-B30-2-BL	30	6.5	M8	50	53	68	30	7	55	40	97.5	60	82.5	GN 911-M8-45	72
GN.47603	GN 147.3-B20-2-SW	20	6.5	M8	50	53	68	30	7	55	40	97.5	60	82.5	GN 911-M8-45	78
GN.47607	GN 147.3-B25-2-SW	25	6.5	M8	50	53	68	30	7	55	40	97.5	60	82.5	GN 911-M8-45	74
GN.47611	GN 147.3-B30-2-SW	30	6.5	M8	50	53	68	30	7	55	40	97.5	60	82.5	GN 911-M8-45	72

## GN 147.3-V

Code	Description	s	d2	d3	k	l1	l2	m	t	x1	x2	y1	y2	y3	d3 Clamping kit	⚖️
GN.47613	GN 147.3-V20-2-BL	20	6.5	M8	50	53	68	30	7	55	40	97.5	60	82.5	GN 911-M8-45	99
GN.47617	GN 147.3-V25-2-BL	25	6.5	M8	50	53	68	30	7	55	40	97.5	60	82.5	GN 911-M8-45	68
GN.47621	GN 147.3-V30-2-BL	30	6.5	M8	50	53	68	30	7	55	40	97.5	60	82.5	GN 911-M8-45	240
GN.47615	GN 147.3-V20-2-SW	20	6.5	M8	50	53	68	30	7	55	40	97.5	60	82.5	GN 911-M8-45	75
GN.47619	GN 147.3-V25-2-SW	25	6.5	M8	50	53	68	30	7	55	40	97.5	60	82.5	GN 911-M8-45	68
GN.47623	GN 147.3-V30-2-SW	30	6.5	M8	50	53	68	30	7	55	40	97.5	60	82.5	GN 911-M8-45	64

Connecting clamps