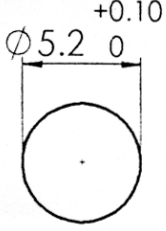
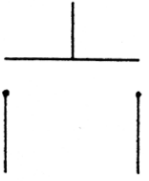
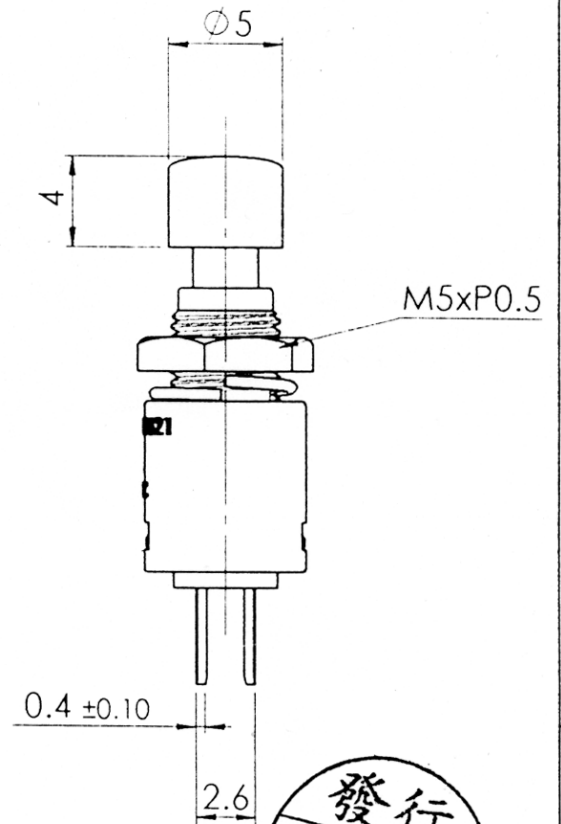
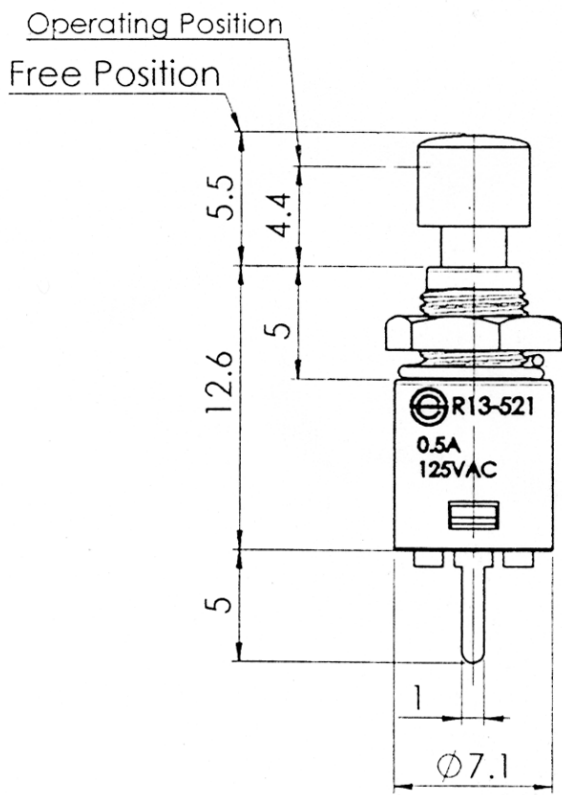
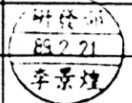


Order code	Manufacturer code	Description
78-0186	R13-521B RED	2P SPST OFF-(ON) MINI PUSH SWITCH RED

	Page 1 of 2
The enclosed information is believed to be correct, Information may change 'without notice' due to product improvement. Users should ensure that the product is suitable for their use. E. & O. E.	Revision A 04/07/2003

Rating	0.5A 125VAC	Mount Hole 	Circuit Structure 
Contact R	50m ohm Max.		
Insulation R	DC 500V 100M ohm Min.		
Dielectric Strength	AC 1000V 1minute		
Circuit	2P SPST OFF-(ON)		
Operation Tempure	-20°C~65°C		



Customer No.	No.	DATE	Name	Descriptions
SCI No.				
Model NO.	R13-521B			
DRAWN	CHECKED	APPROVED		
鄭瑞吉	王佰山			
2/21-001	2/22-00			