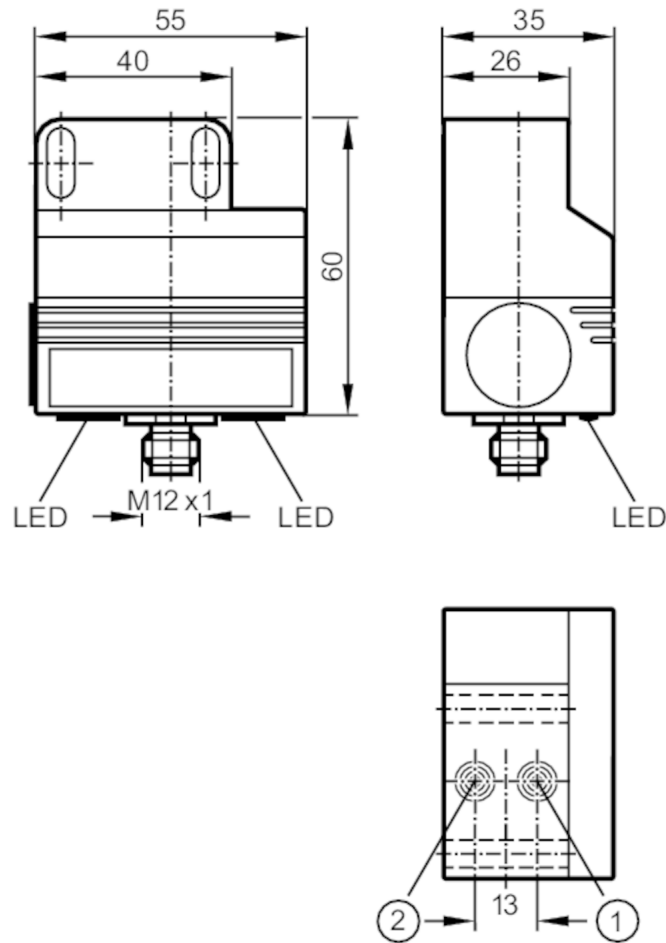


AC2315



AS-Interface dual sensor for pneumatic valve actuators

DUAL SENSOR T4 2SI M12



- 1 sensor 1
- 2 sensor 2




Product characteristics	
Electrical design	AS-i
Sensing range [mm]	4
Dimensions [mm]	55 x 60 x 35
Electrical data	
Operating voltage [V]	26.5...31.6 DC; ("supply class 2" to cULus)
Current consumption [mA]	< 40
Outputs	
Electrical design	AS-i
Detection zone	
Sensing range [mm]	4
Operating conditions	
Ambient temperature [°C]	-20...70
Protection	IP 67

AC2315



AS-Interface dual sensor for pneumatic valve actuators

DUAL SENSOR T4 2SI M12

Tests / approvals		
EMC	EN 50295	
	EN 61000-6-2	
MTTF [years]		924
AS-i classification		
AS-i version		2.1
Extended addressing mode possible		yes
AS-i I/O configuration [hex]		0
AS-i ID code [hex]		A.F
AS-i certificate		74901
Mechanical data		
Weight [g]		149.5
Mounting		non-flush mountable
Dimensions [mm]		55 x 60 x 35
Materials		PBT; connector housing: stainless steel (1.4305 / 303)
Displays / operating elements		
Display	switching status	2 x LED, yellow
Accessories		
Accessories (supplied)		Reinforcement bracket socket head screws: 2 x M5 x 35 washers: 2
Remarks		
Pack quantity		1 pcs.
Electrical connection		
Electrical connection - plug		
Electrical connection		
1	AS-i +	
3	AS-i -	
Connector: 1 x M12		
		

AC2315



AS-Interface dual sensor for pneumatic valve actuators

DUAL SENSOR T4 2SI M12

Connection

