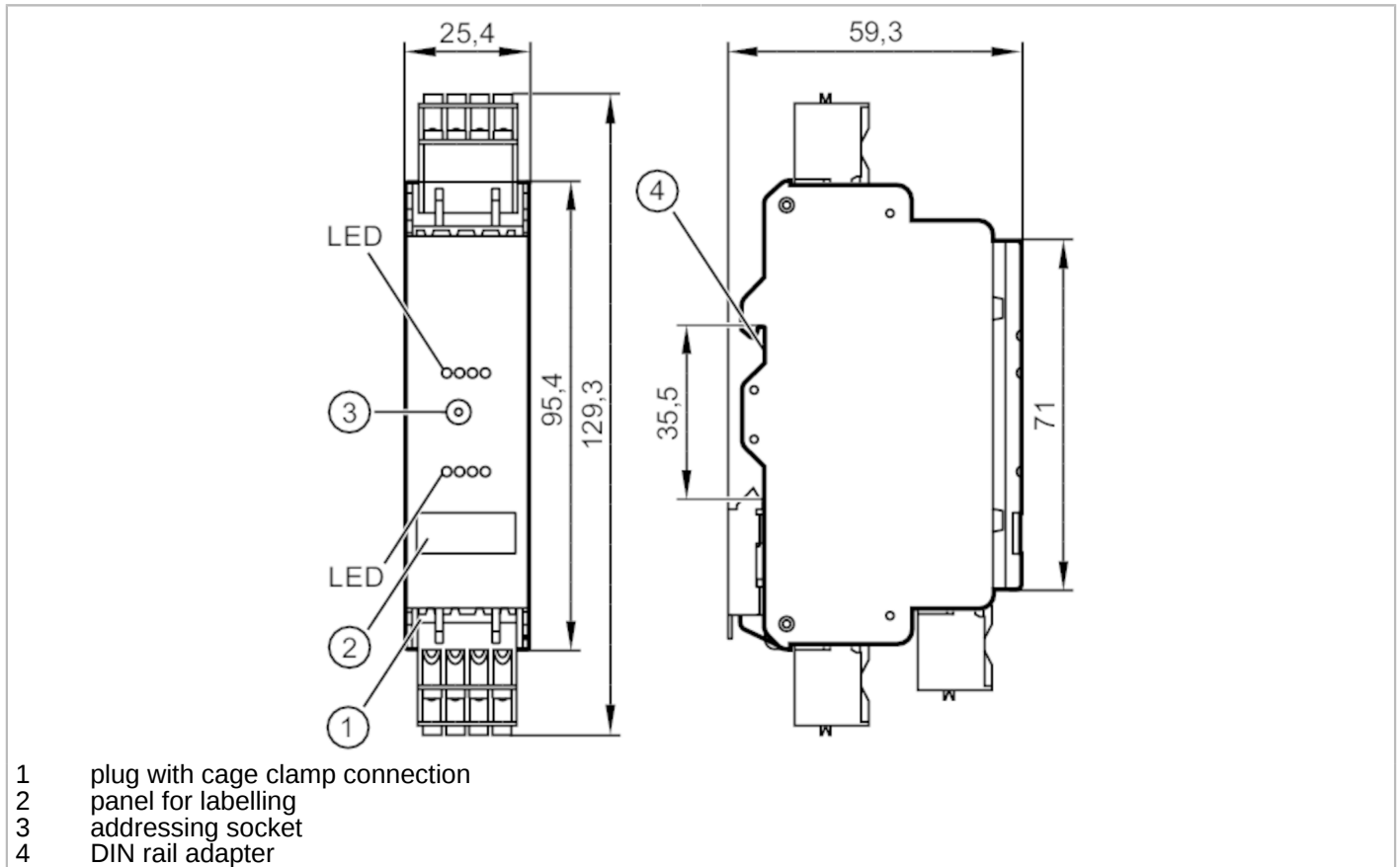




AS-Interface control cabinet module

SmartL25 4 DO T C



Electrical data	
Operating voltage [V]	18...31.6 DC
Max. current consumption from AS-i [mA]	30
Additional voltage supply [V]	20...30 DC; (AUX)
Max. current consumption from additional supply [mA]	4000; (AUX)
Integrated watchdog	yes
Inputs / outputs	
Number of inputs and outputs	Number of digital outputs: 4
Outputs	
Number of digital outputs	4
Circuit	PNP
Voltage range DC [V]	20...30; (AUX)
Max. current load per output [mA]	1000; (utilisation category DC-12: 700 mA; utilisation category DC-13 (control of electromagnets): 20 W (IEC 60947-5-1))
Max. current load outputs total [mA]	4000; (> 50 °C: 2000 mA)
Short-circuit proof	yes
Electrically separated	yes
Actuator supply switching outputs	via E+/E- / separate to SELV / AUX



AS-Interface control cabinet module

SmartL25 4 DO T C

Operating conditions					
Ambient temperature	[°C]	-25...65			
Max. relative air humidity	[%]	90; (non condensing)			
Max. height above sea level	[m]	2000			
Protection		IP 20			
Protection rating terminals		IP 20			
Degree of soiling		2			
Tests / approvals					
EMC		EN 62026-2			
		EN 61000-6-2			
		EN 61000-6-3			
MTTF	[years]	348			
Notes		The device shall be supplied from an isolating source.; This voltage source must have a secondary UL-listed fuse (see enclosed sheet).; Alternatively, a class 2 power supply can be used to supply AUX.			
AS-i classification					
AS-i version		2.11 + 3.0			
Extended addressing mode possible		no			
AS-i profile		S-8.0.E			
AS-i I/O configuration	[hex]	8			
AS-i ID code	[hex]	0.E			
AS-i certificate		124403			
Assignment of the data bits	data bit	D0	D1	D2	D3
	Output	O-1	O-2	O-3	O-4
Mechanical data					
Weight	[g]	135			
Type of mounting		mounting on DIN rail			
Materials		plastics; PC-GF20			
Displays / operating elements					
Display	switching status	LED, yellow O1...O4			
	operation	LED, green AS-i, AUX			
	errors	LED, red			
Accessories					
Accessories (supplied)		cage clamps			
Remarks					
Pack quantity		1 pcs.			



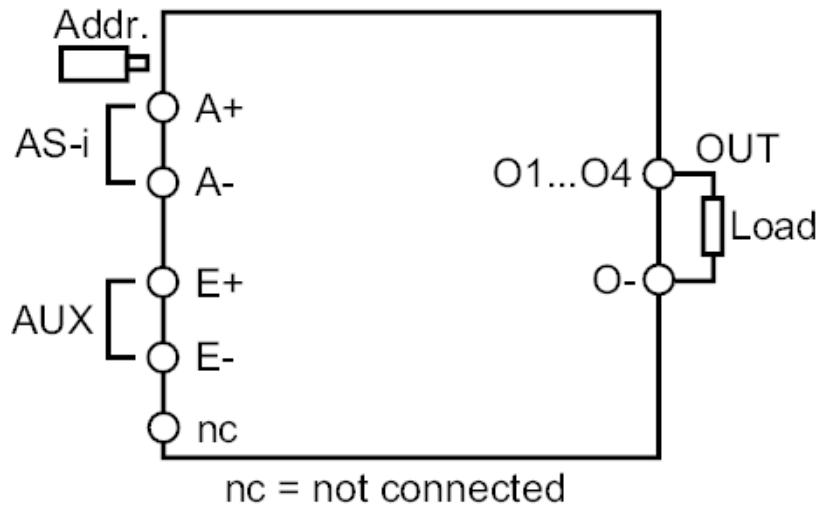
AS-Interface control cabinet module

SmartL25 4 DO T C

Electrical connection

pin headers: 4 x ; Spacing: 5.0 mm

Connection



A+	AS-i +
A-	AS-i -
E+	external voltage supply for actuators +24V (AUX)
E-	external voltage supply for actuators 0V (AUX)
O1...O4	switching output actuator 1...4
O-	switching output actuator 0V
n.c.	not used