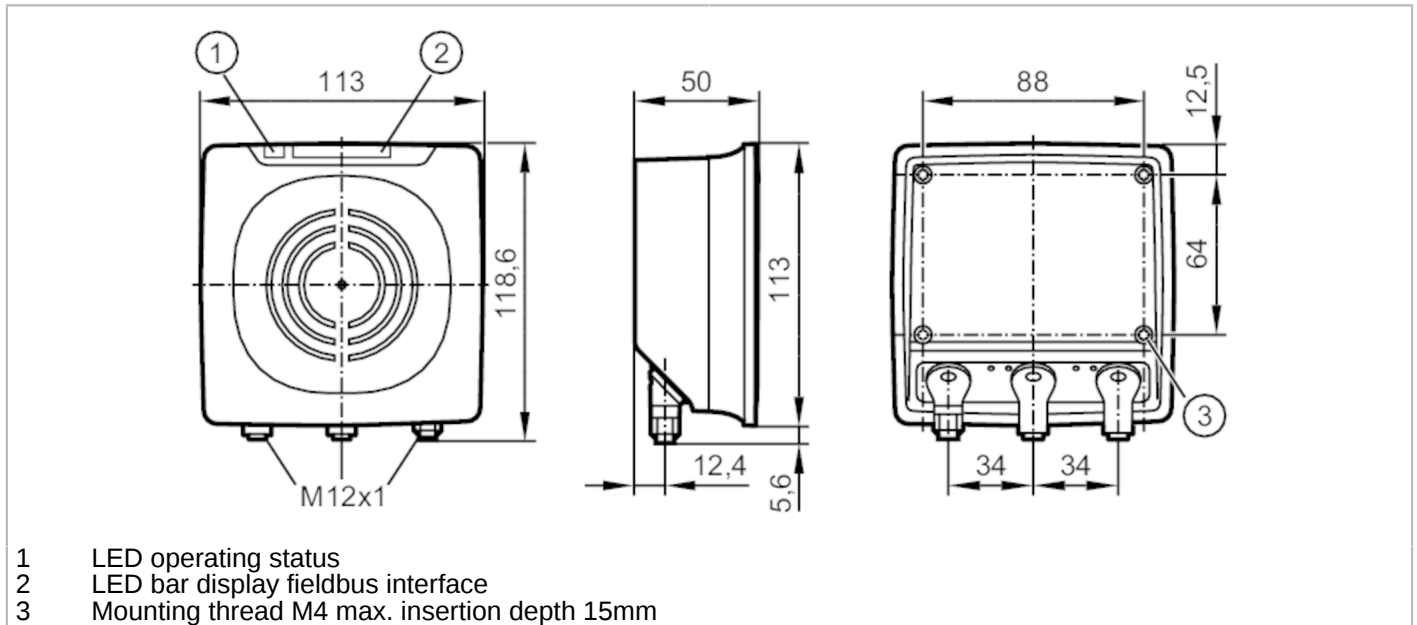


DTE804



Compact RFID device

DTRUHFE HLRWENUS04



Application	
Radio approval for	Europe
Electrical data	
Operating voltage [V]	19.2...28.8 DC
Max. current consumption [mA]	500
Power consumption [W]	8.6
Protection class	III
Operating frequency [MHz]	865...868 (ETSI)
Transmission power ERP [mW]	200
Outputs	
Max. current load per output [mA]	100; (max.)
Interfaces	
Communication interface	Ethernet
Ethernet - TCP/IP	
Protocol	TCP/IP
Factory settings	IP address: 192.168.0.79
	subnet mask: 255.255.255.0
	gateway IP address: 192.168.0.100
Usage type	parameter setting; data transmission
Operating conditions	
Ambient temperature [°C]	-20...60
Storage temperature [°C]	-25...80
Protection	IP 67

DTE804



Compact RFID device

DTRUHFE HLRWENUS04

Tests / approvals		
EMC	EN 301 489-3	
Shock resistance	IEC 60028-2-27	40 g (6 ms) / bump
		50 g (11 ms) / single shock
Vibration resistance	EN 60068-2-6	2 g (10...150 Hz)
Radio approval	EN 302 208	
MTTF [years]	58	

Mechanical data		
Weight [g]	700.5	
Dimensions [mm]	138.1 x 63 x 156	
Materials	housing: aluminium; PBT / PC; stainless steel	

Displays / operating elements		
Display	voltage supply	1 x LED, green
	LED bar display	4 x LED, yellow signal strength ID tag
	status	2 x LED, green/red fieldbus interface
	status	2 x LED, green/yellow Ethernet

Remarks	
Pack quantity	1 pcs.

Electrical connection - Ethernet

ETH1 / ETH2	
1	TD+
2	RD+
3	TD-
4	RD-

Connector: 2 x M12



Electrical connection - voltage supply

PWR	
1	L+
2	digital input/output 2
3	L-
4	digital input/output 1
5	not used

Connector: 1 x M12

DTE804

Compact RFID device

DTRUHFE HLRWENUS04

