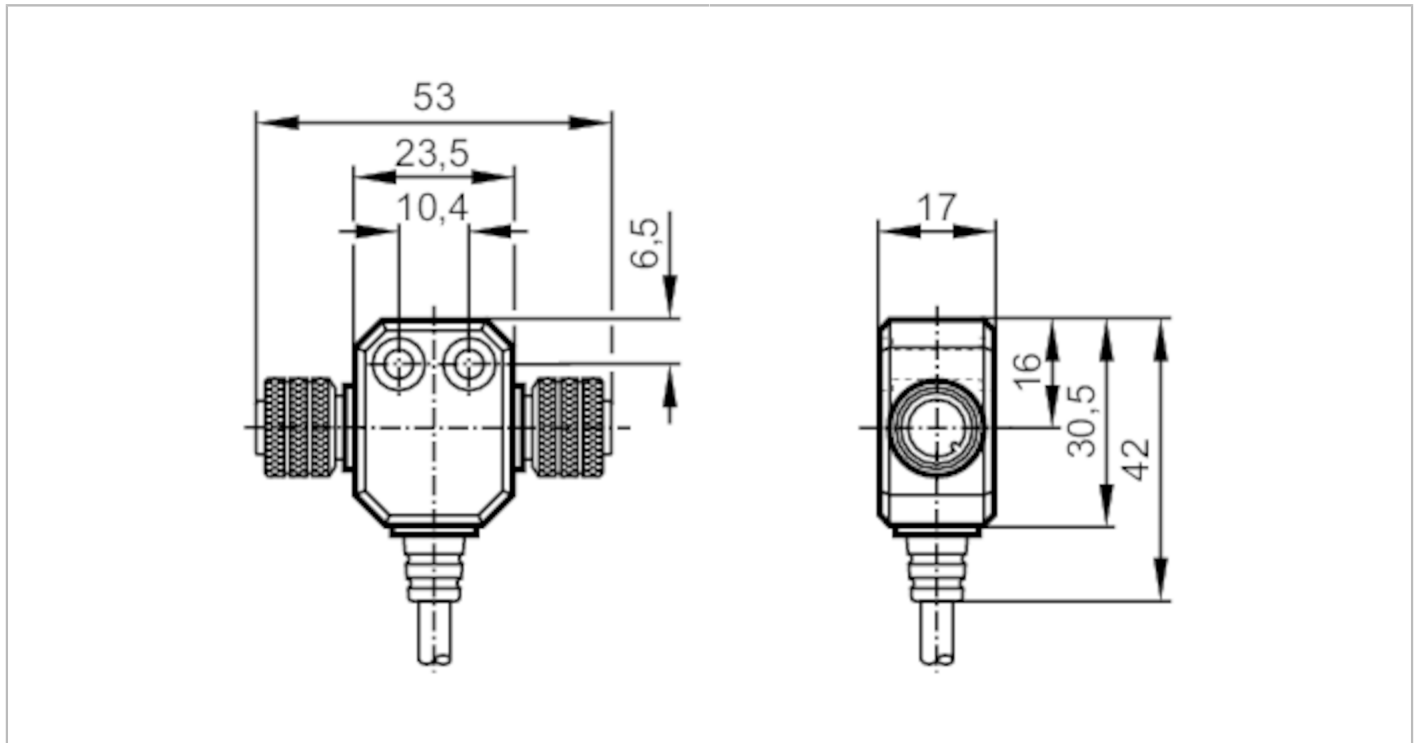


E10437



Y-splitter

ZDO2H040MSS0005H05



Application	
Special feature	Free from silicone; Halogen-free; Gold-plated contacts
Free from silicone	yes
Electrical data	
Operating voltage [V]	10...55 DC
Max. current load per module/slot [A]	4
Max. current load total [A]	4
Operating conditions	
Ambient temperature [°C]	-25...80
Protection	IP 67
Mechanical data	
Weight [g]	160.7
Materials	TPU
Material nut	brass, nickel-plated
Number of ports splitter box	2
Connector type	M12
Remarks	
Pack quantity	1 pcs.

Electrical connection

Cable: 5 m, PUR, Halogen-free, black, Ø 5 mm; 4 x 0.25 mm² (32 x Ø 0.1 mm)

Electrical connection - socket

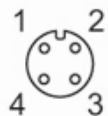
Connector: 2 x M12; Moulded body: TPU; Locking: brass, nickel-plated; Contacts: gold-plated; Tightening torque: 0.5 Nm

E10437



Y-splitter

ZDO2H040MSS0005H05



Connection

BN	1 (1...2)	C
BU	3 (1...2)	C
BK	4 (1)	C
WH	4 (2)	C

Core colours :

BK =	black
BN =	brown
BU =	blue
WH =	white