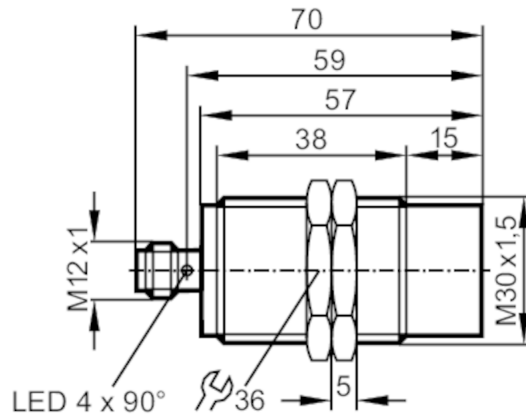




Inductive sensor

IIC3022-BPKG/M/US104-DPS



Product characteristics

Electrical design	PNP
Output function	normally open
Sensing range [mm]	22
Housing	threaded type
Dimensions [mm]	M30 x 1.5 / L = 70

Application

Special feature	Gold-plated contacts; Increased sensing range
Application	Use in machine tools, coolants and lubricants

Electrical data

Operating voltage [V]	10...36 DC
Current consumption [mA]	< 10
Protection class	II
Reverse polarity protection	yes

Outputs

Electrical design	PNP
Output function	normally open
Max. voltage drop switching output DC [V]	2.5
Permanent current rating of switching output DC [mA]	100
Switching frequency DC [Hz]	100
Short-circuit protection	yes
Type of short-circuit protection	pulsed
Overload protection	yes

IIC211



Inductive sensor

IIC3022-BPKG/M/US104-DPS

Detection zone		
Sensing range	[mm]	22
Real sensing range Sr	[mm]	22 ± 10 %
Operating distance	[mm]	0...17.6
Increased sensing range		yes
Accuracy / deviations		
Correction factor		steel: 1 / stainless steel: 0.7 / brass: 0.5 / aluminium: 0.5 / copper: 0.4
Hysteresis	[% of Sr]	1...20
Switch point drift	[% of Sr]	-10...10
Operating conditions		
Ambient temperature	[°C]	-25...70
Protection		IP 68; ("Coolant")
Tests / approvals		
EMC	EN 61000-4-2 ESD	4 kV CD / 8 kV AD
	EN 61000-4-3 HF radiated	10 V/m
	EN 61000-4-4 Burst	2 kV
	EN 61000-4-5 Surge	0,5 kV
	EN 61000-4-6 HF conducted	10 V
	EN 55011	class B
MTTF	[years]	1594
UL approval	Ta	0...40 °C
	Enclosure type	Type 1
	voltage supply	Limited Voltage/Current
	File number UL	E174191
Mechanical data		
Weight	[g]	118
Housing		threaded type
Mounting		non-flush mountable
Dimensions	[mm]	M30 x 1.5 / L = 70
Thread designation		M30 x 1.5
Materials		stainless steel (1.4404 / 316L); sensing face: LCP uncoloured
Displays / operating elements		
Display	switching status	4 x 90° LED, yellow
Accessories		
Accessories (supplied)		lock nuts: 2
Remarks		
Pack quantity		1 pcs.
Electrical connection - plug		
Connector: 1 x M12; Contacts: gold-plated		

IIC211



Inductive sensor

IIC3022-BPKG/M/US104-DPS



Connection

