

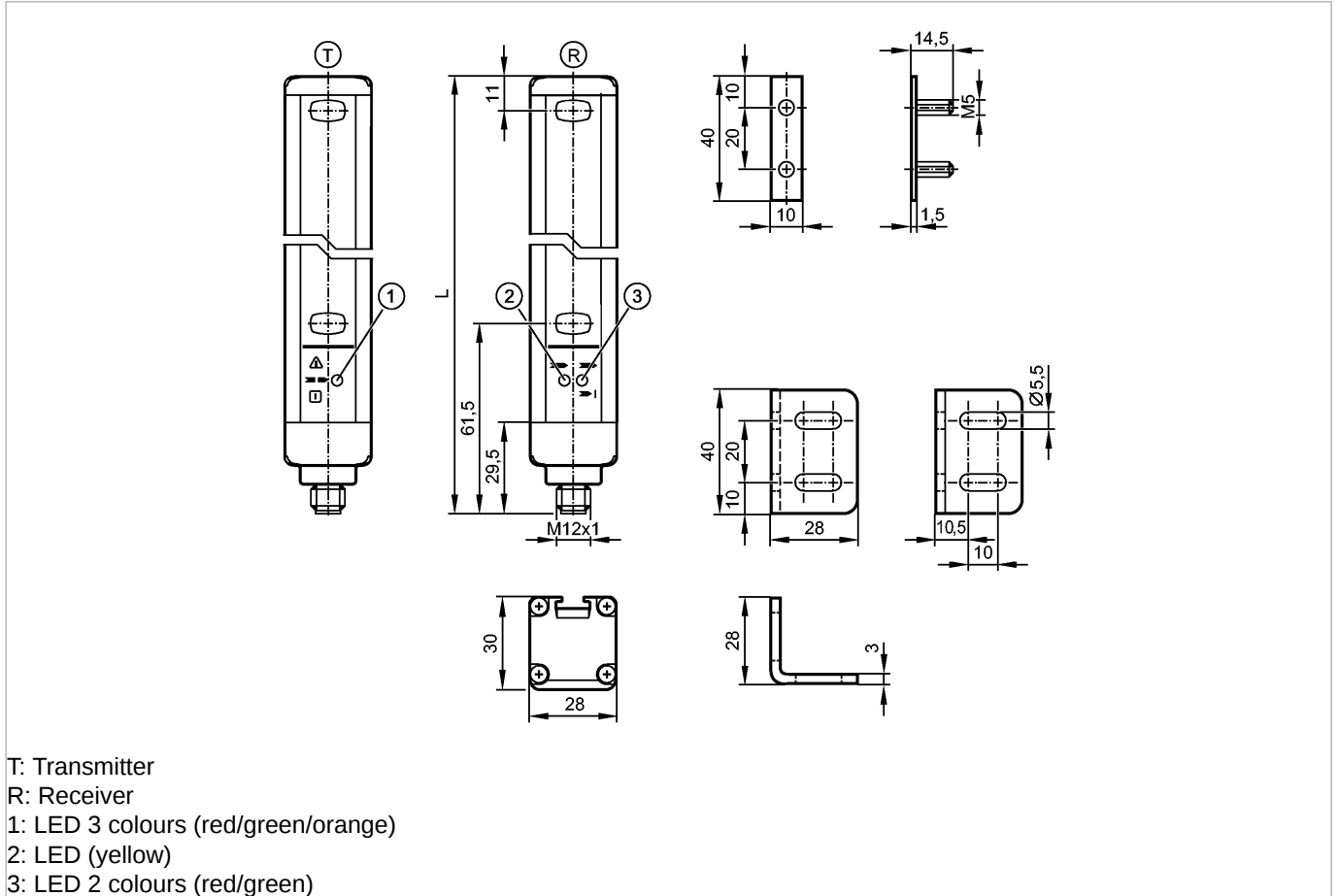
Please note the wiring of the sensor and the sockets (see data sheet) as for 8-pole sockets the core colours are not standardised.

efector200
OY300S



OYA1810-30-2-12-P-1

Photoelectric sensors



Product characteristics

Safety light curtain

Length L: 1863 mm

Connector

Complies with the requirements:

type 2 (IEC 61496-1)

SILCl 1 (IEC 62061)

PL c (EN ISO 13849-1)

Electrical data

Electrical design

Operating voltage	[V]
Current consumption	
- Transmitter	[mA]
- Receiver	[mA]
Type of light	
Protection class	
Reverse polarity protection	
Power-on delay time	[s]
Outputs	
Outputs (OSSDs)	
Max. current load per output	[mA]
Short-circuit protection	

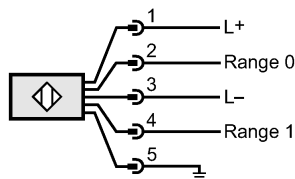
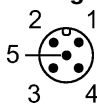
	DC PNP
	24 DC (19.2...28.8)
	42
	83
	Infrared light 950 nm
	III
	yes
	< 2
	2 x PNP
	400 (24 V)
	yes

OY300S - Safety light curtain - eclass: 27270910 / 27-27-09-10

Range		
Protected area height [mm]		1810
Resolution (detection capacity d)[mm]		30
Protected area width (range) [m]		0...4 / 3...12
Reaction times		
Response time [ms]		19.5
Environment		
Applications	Class C to EN 60654-1 weatherproof application	
Ambient temperature [°C]		-10...55
Storage temperature [°C]		-20...70
Max. relative air humidity [%]		95
Protection	IP 65 / IP 67	
Tests / approvals		
EMC	IEC 61496-1	
Shock resistance	IEC 61496-1	
Vibration resistance	IEC 61496-1	
Safety classification		
Mission time TM [h]		175200
Test interval T1 [Years]		20
Safety-related reliability PFHd [1/h]		7.6E-08
MTTFd [Years]		100
DC/CCF/Cat.	90.39% / 80 % / 2	
Mechanical data		
Length L [mm]		1863
Housing materials	housing: aluminium; window: PC	
Weight [kg]	5.751	
Displays / operating elements		
Display	Transmitter 1 LED Receiver 2 LED	

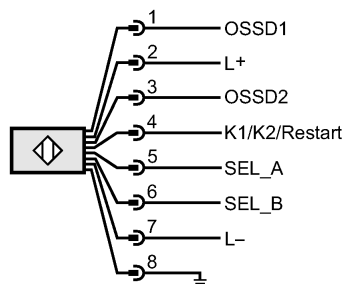
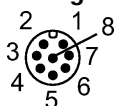
Electrical connection		
Transmitter		
Connection	M12 connector	

Wiring Transmitter



Receiver		
Connection	M12 connector	

Wiring Receiver



Max. connection cable length [m]	100 *)	
----------------------------------	--------	--

OY300S - Safety light curtain - eclass: 27270910 / 27-27-09-10

Accessories

Accessories (included)

6 Mounting angle; 6 Mounting Nuts; nuts

Remarks

Remarks

*) for wire cross-section 0.34 mm²

Pack quantity

[piece]

1

ifm electronic gmbh • Friedrichstraße 1 • 45128 Essen — We reserve the right to make technical alterations without prior notice. — GB — OY300S — 01.06.2015
Please note the wiring of the sensor and the sockets (see data sheet) as for 8-pole sockets the core colours are not standardised.