

SVS VALVE PLUG FORM B 10 MM FIELD-WIREABLE

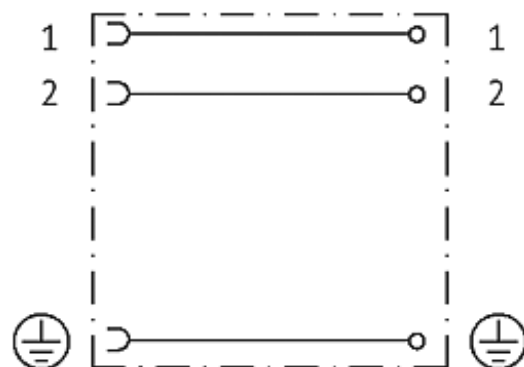
0...230V M16x1.5

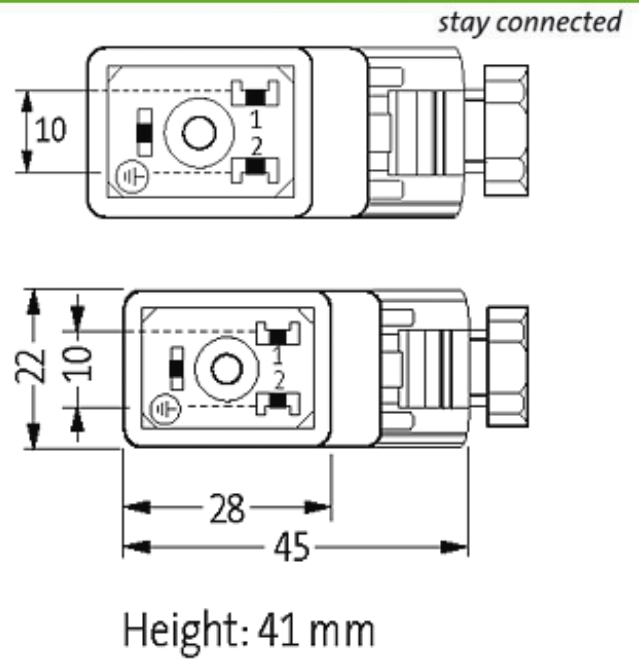
Form B (10 mm)
0...230 V AC/DC, without components
metric

Plastic housings with good resistance against chemicals and oils. The resistance to aggressive media should be individually tested for your application. Further details on request.

[Link to Product](#)

Illustration





Product may differ from Image

Approvals



Form

29761

Technical Data

Operating voltage	0...230 V AC/DC
Operating current per contact	max. 10 A
Sealing range (cable diameter)	5...10 mm
Compression gland	M16 × 1.5 mm
Plug color	Black housing, transparent flip top
Protection	IP65 inserted and tightened (EN 60529), with gland
Locking of ports	M3 (recommended torque 0.4 Nm)
Connection cross section	4 mm ² single core, with ferrule end 1.5 mm ²

General data

Temperature range	-20...+60 °C
-------------------	--------------

Commercial data

country of origin	CZ
customs tariff number	85369010
minimum order quantity	1