



REMOTE SWITCH WITH 2 NO WITH SERIES CIRCUIT CONTACT FOR AC 230, 400V 16A CONTROL AC 230V

Model		
product brand name		SENTRON
Latching relay design		Mechanical two-circuit switch
General technical data		
Electrical endurance (switching cycles)		50 000
Galvanic isolation / between magnet coil and contact		Yes
Switching voltage / of the contacts / with AC / minimum	V	10
Switching current / with AC / per contact / minimum	mA	100
Voltage		
Continuous voltage fuse version		Yes
Surge voltage resistance / Rated value	kV	4
Protection class		
Protection class IP		IP20, with connected conductors
Switching capacity		
Switching capacity apparent power		
• for fluorescent lamp load with DUO circuit	V·A	900
• for fluorescent lamp load with parallel compensation	V·A	400
• for uncompensated fluorescent lamp load	V·A	500
Switching capacity current		
• at cos phi 0.6	A	16
• Rated value	A	16

Switching capacity active power / with filament lamp load	W	2 000
Control current		
Type of voltage		AC
• of control voltage_1		
Control voltage		
• _1 / initial value	V	184
• _1 / Full-scale value	V	253
• _1 / setpoint	V	230
Control voltage frequency		
• _1 / initial value	Hz	50
• _1 / Full-scale value	Hz	50
Operating range factor control supply voltage rated value / with AC / at 50 Hz		
• initial value		0.8
• Full-scale value		1.1
Product details		
Product component / Switch position indicator		Yes
Product function		
Product function / direct operation		Yes
Number		
Number of terminals		6
Number of NC contacts		0
Number of NO contacts		2
Number of CO contacts		0
Mechanical Design		
Width of opening / of the contacts	mm	1.2
Mounting height	mm	90
mounting position		any
Installation depth	mm	70
Number of width units		1
Mounting type		DIN rail
Required spacing / for live parts	mm	6
Environmental conditions		
Ambient temperature		
• minimum	°C	-10
• maximum	°C	40
• with relative humidity 95% / acc. to DIN 50015	°C	35
Certificates		



[other](#)



[other](#)

Further information

Information- and Downloadcenter (Catalogs, Brochures,...)

<http://www.siemens.com/lowvoltage/catalogs>

Industry Mall (Online ordering system)

<https://eb.automation.siemens.com/mall/en/WW/Catalog/Product/5TT41320>

Service&Support (Manuals, Certificates, Characteristics, FAQs,...)

<http://support.automation.siemens.com/WW/view/en/5TT41320/all>

Image database (product images, 2D dimension drawings, 3D models, device circuit diagrams, ...)

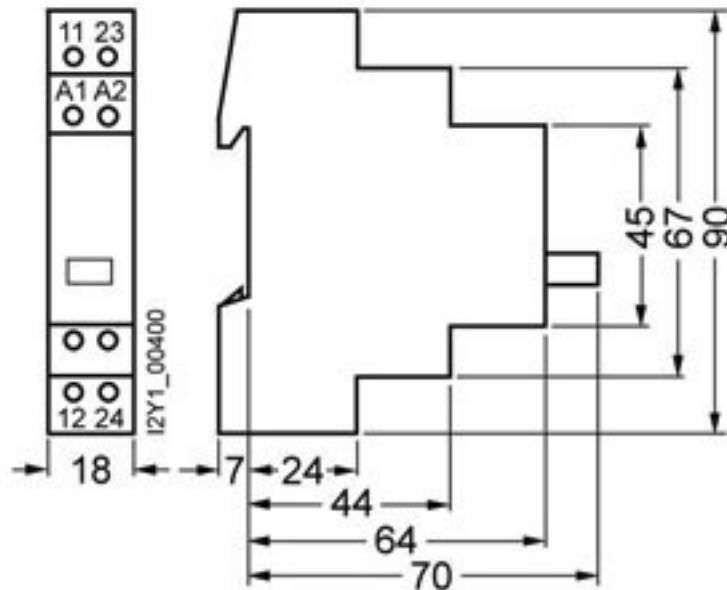
http://www.automation.siemens.com/bilddb/cax_en.aspx?mlfb=5TT41320

CAX-Online-Generator

<http://www.siemens.com/cax>

Tender specifications

<http://ausschreibungstexte.siemens.com/tiplv>



last modified:

11.03.2015