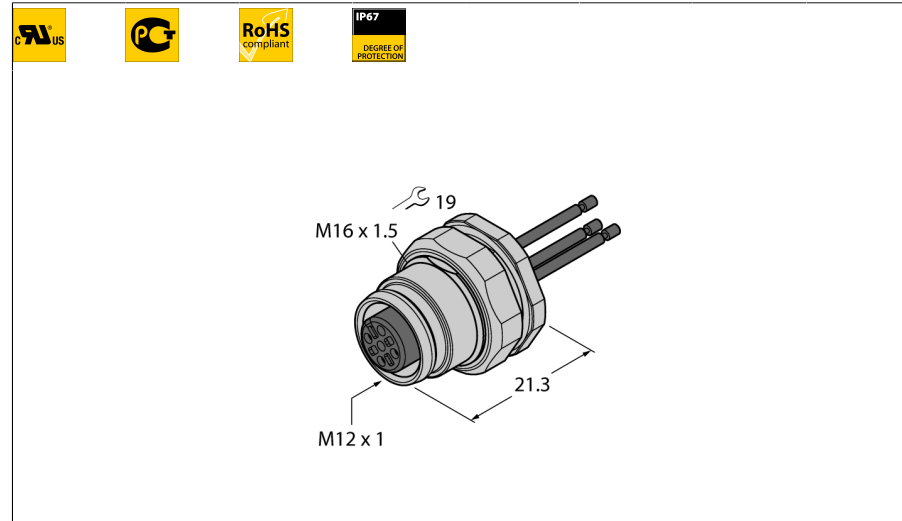
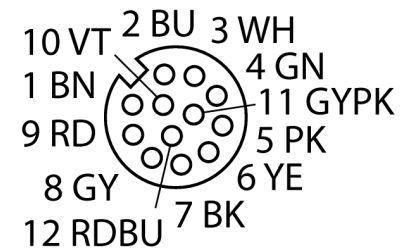


**Accessories for actuator/sensor cables
female flange with strands, rear-mounted
EC-FKFDE12-0,5/16**



- M12 ⚡ 1 female receptacle
- Protection class IP67
- Stainless steel receptacle housing
- Rear-mounted
- Connected via stranded wires

Pin Assignment



Type designation	EC-FKFDE12-0,5/16
Ident no.	6934561
Connector A side	
Number of pins	Female receptacle, M12 ⚡ 1, Straight 12
Contacts	Brass, CuZn, Gold-plated
Contact carriers	Plastic, TPU, Black
Flange housing	Stainless steel, 1.4404 (AISI 316L)
Seal	Plastic, FPM/FKM
Screw-in thread seal	plastic, NBR
Screw-in thread	M16x1.5
Connection mode	Wire connection
Mechanical lifespan	> 100 Mating cycles
Pollution degree	3
Protection class	IP67, (screwed together)
Cable length	
Core insulation	0.5 m PVC
Core colors	BN, BU, WH, GN, PK, YE, BK, GY, RD, VT, GY/PK, RD/BU
Core cross-section	12x0.14mm ²
Electrical features at +20 °C	
Rated voltage	30 V
Current	1.5 A
Insulation resistance	≥ 10 ⁸ Ω
Forward resistance	≤ 5 mΩ
Mechanical and chemical properties	
Ambient temperature	
Stationary	-30...+90°C

