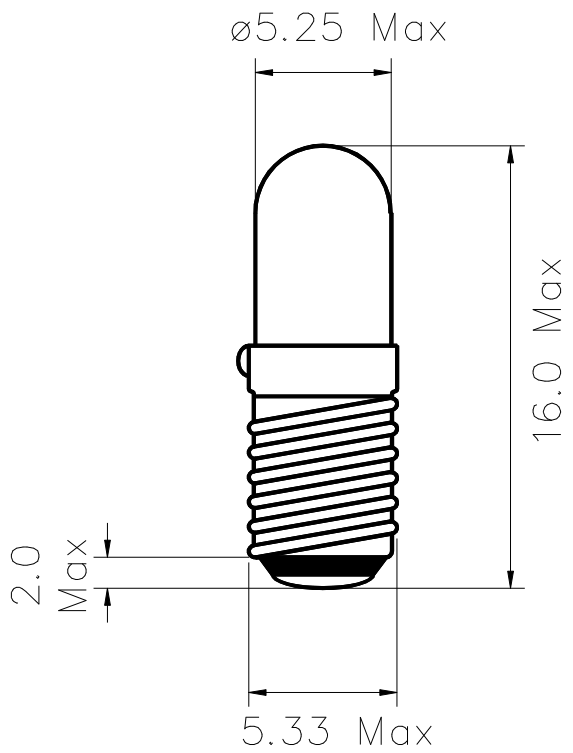


Part Number: 679

Type	Size	Rating	Description
Incandescent	T5	12V 1W	T-1½ Midget Screw Lamp



Dimensions in mm.

TEST VOLTS	CURRENT (mA)			LIGHT OUTPUT (Lm)			LIFE Hours
	Min.	Nom.	Max.	Min.	Nom.	Max.	
12	75	83	91	1.8	2.4	3.0	10,000

Notes:

- 1 Base type E5 Nickel plated base to EN60061-1
- 2 Filament Shape C-2V or C-2F
- 3 Lamp Marking 679 12V or 12V 1W
- 4 Bead Colour White or clear
- 5 Environmental RoHS & REACH SVHC compliant