

## Single-Strand Roller Chains Similar to DIN ISO 606 (formerly DIN 8187), Stainless Steel, Premium

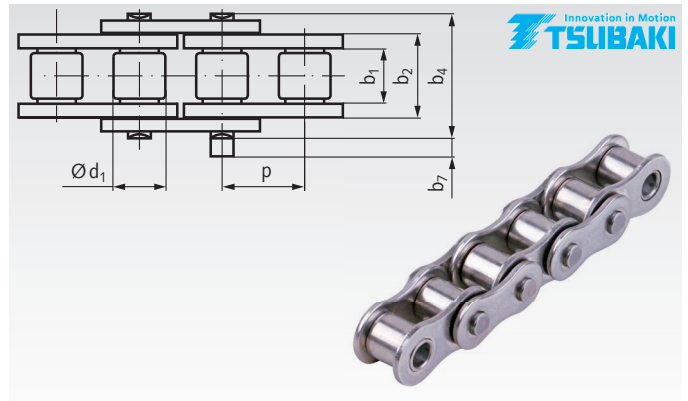
**Material:** Stainless steel, equivalent 1.4301 (AISI 304).  
Cold forged, with minimal magnetism.



Premium simplex roller chains with high chemical resistance. Produced in consistently high quality. Main dimensions according to DIN. Due to the material properties, the transmittable power and breaking load are below the DIN values. The work load should not be higher than stated. Not lubricated. The chains must be lubricated according to the type of application. Waisted link plates (size 06 with straight link plates). Chains are supplied with an uneven number of links, with inner links at both ends.

**Temperature range:** -20°C to +400°C.

Ordering Details: e.g.: Product No. 101 990 00P, Roller Chain Stainless, Premium, 06 B-1



DIN ISO-No.	Product No.	Pitch x Inner Width		Inner Width $b_2$ mm	Roller- $\varnothing$ $d_1$ mm	Pin $\varnothing$ mm	Width over Pin $b_4$ mm	Projection over Link $b_7^{2)}$ mm	Work load min. kN	Weight kg/m	
		mm	inch								
06 B-1 <sup>1)</sup>	101 990 00P	9,525	x 5,72	3/8 x 7/32	8,53	6,35	3,28	13,5	3,3	0,27	0,39
08 B-1	105 990 00P	12,7	x 7,75	1/2 x 5/16	11,30	8,51	4,45	17,0	3,9	0,48	0,70
10 B-1	106 990 00P	15,875	x 9,65	5/8 x 3/8	13,28	10,16	5,08	19,6	4,1	0,66	0,95
12 B-1	107 990 00P	19,05	x 11,68	3/4 x 7/16	15,62	12,07	5,72	22,7	4,6	0,87	1,25
16 B-1	108 990 00P	25,4	x 17,02	1" x 17,02mm	25,45	15,88	8,28	36,1	5,4	2,06	2,70

<sup>1)</sup> With straight link plates.

<sup>2)</sup> Maximum values at the connecting link.

**Please note: Packing Unit 5m with 1 Connecting Link**

If special lengths are needed, please tell us the length and the number of links (uneven number!). At all special lengths, connecting links have to be ordered separately.

## Connecting Links for Single-Strand Roller Chains Similar to DIN ISO 606 (formerly DIN 8187), Stainless Steel, Premium

**Material:** Stainless steel, equivalent 1.4301 (AISI 304). Cold forged, with minimal magnetism.

Ordering Details: e.g.: Product No. 101 990 03P, Connecting Link No. 11/E, Stainless Steel, Premium, 06 B-1



No. 11/E: Connecting Link with Spring Clip



No. 10/S: Connecting Link with Cottered Pin



No. 12/L: Cranked Link with Cottered Pin



No. 15/C: Cranked Double Link



DIN ISO No.	Product No. Connecting Link No. 11/E	Weight g	Product No. Connecting Link No. 10/S	Weight g	Product No. Cranked No. 12/L <sup>1)</sup>	Weight g	Product No. Cranked Double No. 15/C <sup>1)</sup>	Weight g
06 B-1	101 990 03P	4	-	-	101 990 04P	4	101 990 05P	9
08 B-1	105 990 03P	7	-	-	105 990 04P	10	105 990 05P	18
10 B-1	106 990 03P	13	-	-	106 990 04P	15	106 990 05P	31
12 B-1	107 990 03P	14	107 990 02P	21	107 990 04P	25	107 990 05P	48
16 B-1	108 990 03P	65	108 990 02P	65	108 990 04P	81	108 990 05P	140

<sup>1)</sup> With cranked links, power and breaking load are reduced by 20%.