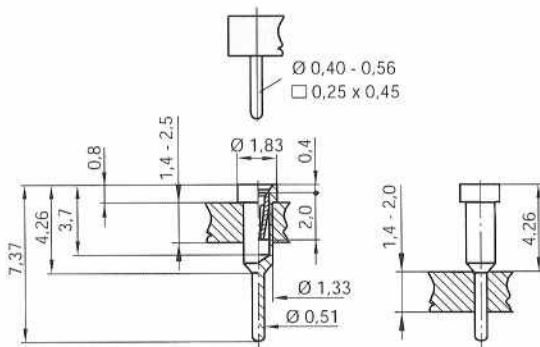
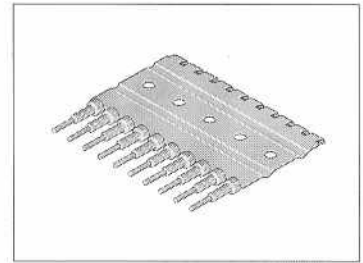


Metallic Carrier

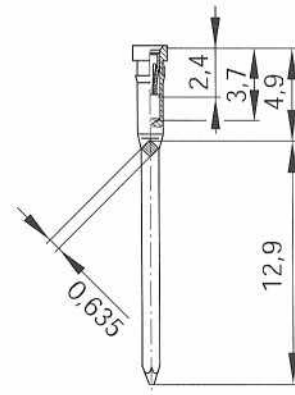
2,54mm

Technical data:

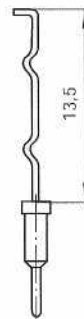
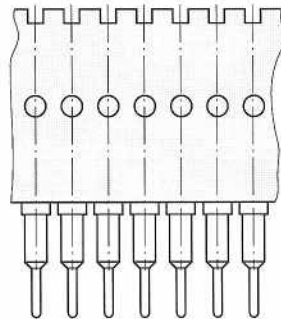
Carrier:	Brass
Contact:	Brass / BeCu
Rated current:	3 Amp.
Rated voltage:	100 V _{RMS} / 150 V _{DC}
Dielectric withstanding:	700 V _{RMS} min.
Operating temperature:	-55°C to +125°C
Max. processing temp.:	260°C for 10 seconds



SGG 2 C



3GG 2



	MCS	XX	XXX	U
Poles:	3 - 64 poles possible			
Version:	SGG C 2	= with C-contact, sleeve: Sn / clip: 0,25µm Au		
	3GG 2	= with WireWrap-contact 3, sleeve: Sn / clip: 0,25µm Au		
U:	RoHS-compliant with high temp. plastic			