

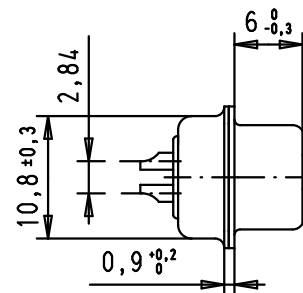
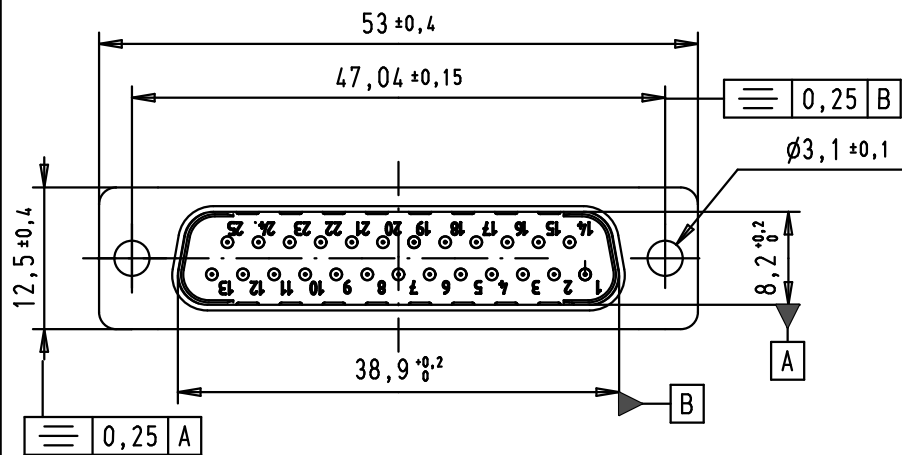
5

4

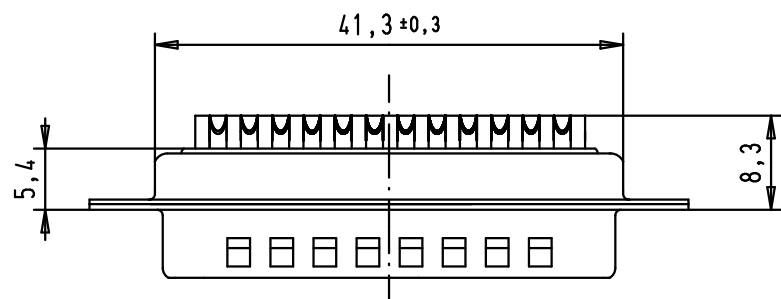
3

2

1



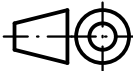

Solder bucket for AWG 20



SPECIFICATION

Performance level	PL2
Filter type	C
Capacitance	47pf±20%
Working Voltage	100v
Current Rating	7.5A
Insulation Resistance	>1GΩ

FREQUENCY (MHz)	ATTENUATION (dB)
5	-
10	-
50	-
100	-
500	30dB
1000	35dB

			Dot.	Name		All Dim. in mm Orig. Size DIN A 4
			Detail.	8-JUL-02		
			Insp.	12/01/12	JB	
36283	12/01/12	SD	Stand.			
31897	17/05/04	AF				
31058	8-JUL-02	CV				
Mod.	Dot.	Name	HARTING EURL F-95972 Paris			

D-Sub, male, straight,
25 Poles, with turned
solder bucket and hole

Mo?Mstab/
Scale
1.5:1

TB 09643217210

Blatt/ Page
1 / 1

Sub.