

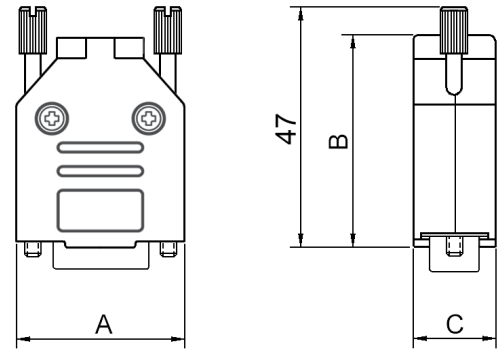
TECHNICAL SPECIFICATIONS

D-Sub Hood:

Material: UL 94 V-0 Plastic Material
 Operating Temperature: -55°C to +110°C
 Cable Entry: Top
 Thumbscrews: UNC 4-40 (Standard)
 Cable O.D: Up to 11,5mm
 Colour: Black

Female D-Sub Solder Cup:

Insulator: PBT, Black, UL94 V-0
 Shell: Steel, Tin Plated
 Contact pins: Copper Alloy
 Stamped & Formed Pins: Class 3, 100 inserts min.
 Machined Contact Pins: Class 1, 500 inserts min.
 Contact Plating: Selective Gold over Nickel
 Operating Temperature: -55°C to +105°C
 Withstanding voltage: 1000V for 1 minute
 Insulator resistance: 1000MΩ min.



Features:

- Available in sizes 9-15-25-37
- Suitable for any common Sub-D connector
- Strain relief inserts ensure a secure termination
- Re-openable

Size DTPK-P	Dim A	Dim B	Dim C
9-way	31,2	39,9	15,0
15-way	39,5	41,5	15,0
25-way	53,4	48,6	15,0
37-way	69,7	53,6	15,0

Ordering information - Black Insulator:

Size:	P/N - Kitted:	Class 3 - 100 inserts min.
9-way	6355-0032-11	DTPK-P-09-DBS-K
15-way	6355-0032-12	DTPK-P-15-DBS-K
25-way	6355-0032-13	DTPK-P-25-DBS-K
37-way	6355-0032-14	DTPK-P-37-DBS-K

Size:	P/N - Kitted:	Class 1 - 500 inserts min.
9-way	6355-0033-11	DTPK-P-09-DMS-K
15-way	6355-0033-12	DTPK-P-15-DMS-K
25-way	6355-0033-13	DTPK-P-25-DMS-K
37-way	6355-0033-14	DTPK-P-37-DMS-K

Ordering information - White Insulator:

Size:	P/N - Kitted:	Class 3 - 100 inserts min.
9-way	6355-8032-11	DTPK-P-09-DBS-W-K
15-way	6355-8032-12	DTPK-P-15-DBS-W-K
25-way	6355-8032-13	DTPK-P-25-DBS-W-K
37-way	6355-8032-14	DTPK-P-37-DBS-W-K

Size:	P/N - Kitted:	Class 1 - 500 inserts min.
9-way	6355-8033-11	DTPK-P-09-DMS-W-K
15-way	6355-8033-12	DTPK-P-15-DMS-W-K
25-way	6355-8033-13	DTPK-P-25-DMS-W-K
37-way	6355-8033-14	DTPK-P-37-DMS-W-K

