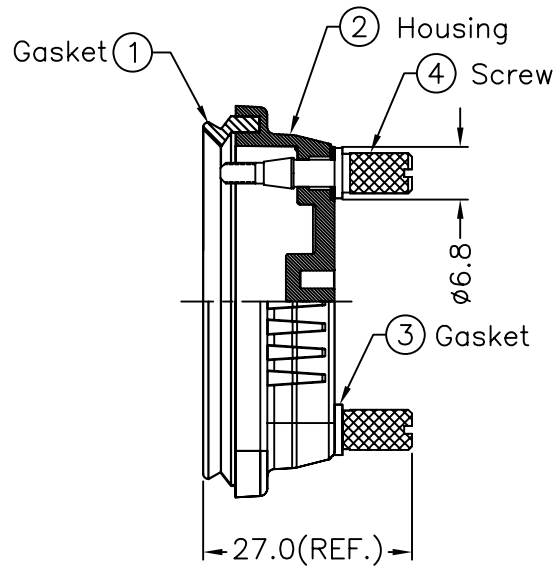
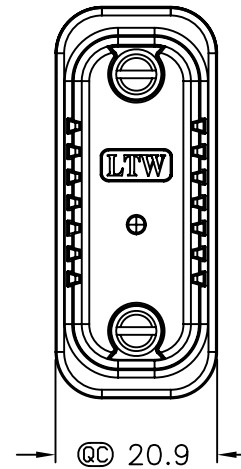
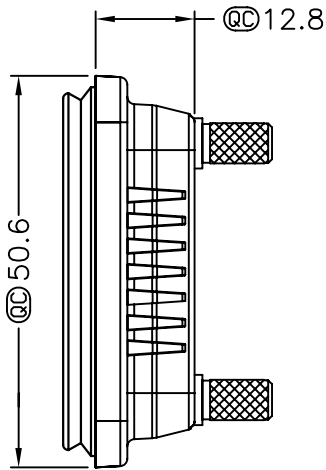
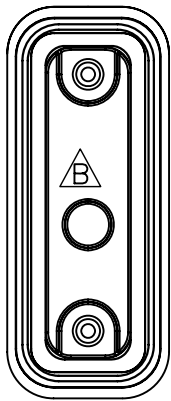


| | | | |
|--------|--------------------|-----------------|---|
| 5 | 6 | 7 | 8 |
| REV. B | ECN NO. LEN-770345 | DATE 2007/07/12 | SIGN Robert Hsu DESCRIPTION Drawing Modify |
| | | | |
| | | | |



- Note:
- * @C Important Dimensions To Check.
 - * Waterproof Rate: IP67
 - * Housing: Black, ABS
 - * Gasket: Black, EPDM
 - * Screw: Steel, Nickel Plated

| | |
|-----------|--|
| UNIT:mm | |
| TOLERANCE | |
| ±0.5 mm | |

| | |
|--|---------|
| TITLE | |
| D-Sub Conn Screw Combo Waterproof Cap | |
| SCALE | SHEET |
| Free | 1 OF 1 |
| REV. B | SIZE A4 |
| @C :Inspection Item | |

LTW
亮泰企業股份有限公司

| | |
|----------|-----------------|
| ITEM NO | LTWCAP-WD2PCSA1 |
| DWG NO | LTWCAP-WD2PCSA1 |
| CUSTOMER | |

| | |
|-------------|------------|
| DRAWN BY | Robert Hsu |
| CHECKED BY | Jill |
| APPROVED BY | Lion-Yu |

| | |
|------|------------|
| DATE | 2007/07/12 |
| DATE | 2007/07/12 |
| DATE | 2007/07/12 |

THIS DOCUMENT IS SUBJECT TO CHANGE WITHOUT NOTICE. IT IS CONFIDENTIAL AND A PROPERTY OF LTW. DISCLOSURE TO THIRD PARTY HAS TO BE AUTHORIZED BY LTW.

F
E
D
C
B
A

1 2 3 4 5 6 7 8