

KombiSIGN 50 / Accessories

Bracket for base mount. BWM BK

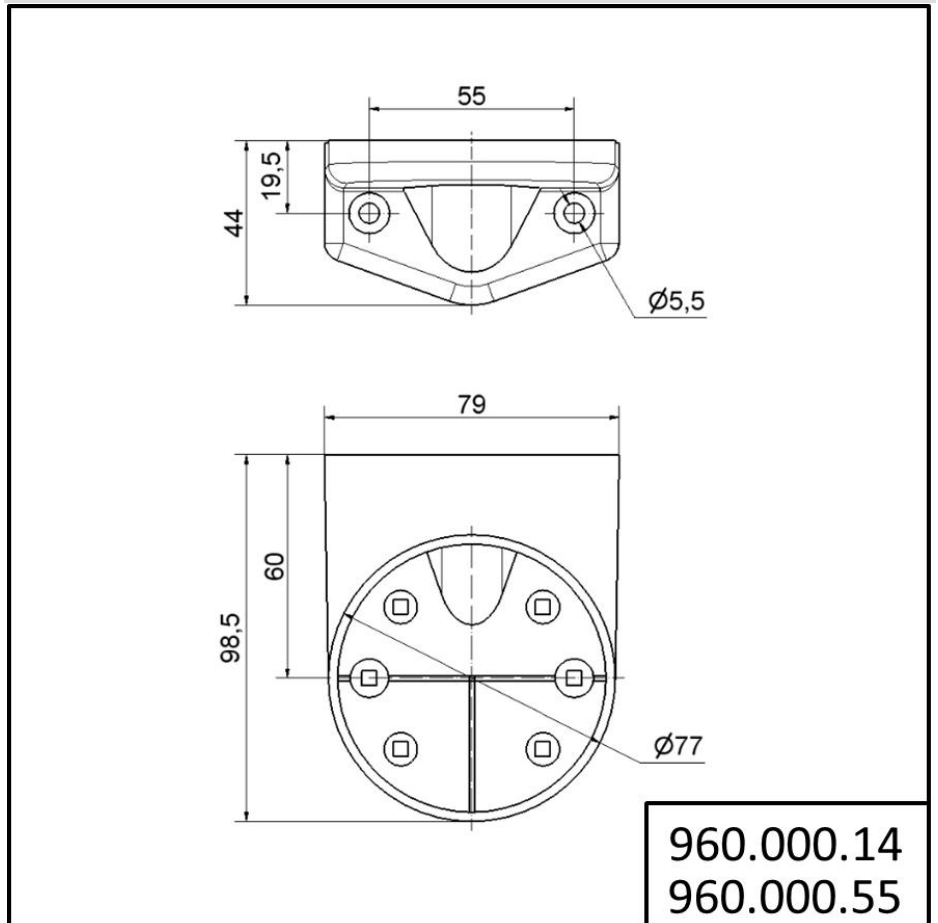


Part No.: 960.000.14

MECHANICAL DATA

Length	99 mm
Width	79 mm
Height	44 mm
Materials	PC/ABS
Housing colour	Black
Weight with packaging	80 g
Product weight	80 g

DRAWING



! For additional installation and mounting information, refer to the appropriate user guide at www.werma.com. This printed copy is for information only and is subject to alteration.