



MATERIAL
C10 zinc-plated steel.



RIVETS
Zinc-plated steel.



SUPPORT BUSHINGS
Ground and hardened steel.



HANDLE
Polyurethane, red colour.



LEVER ANTI-RELEASE COVERING
Polyvinylchloride (PVC).



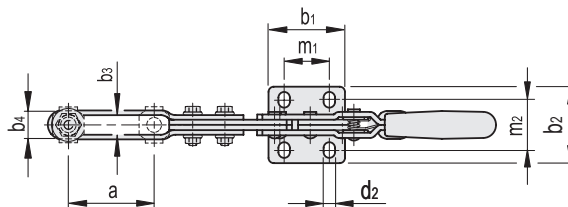
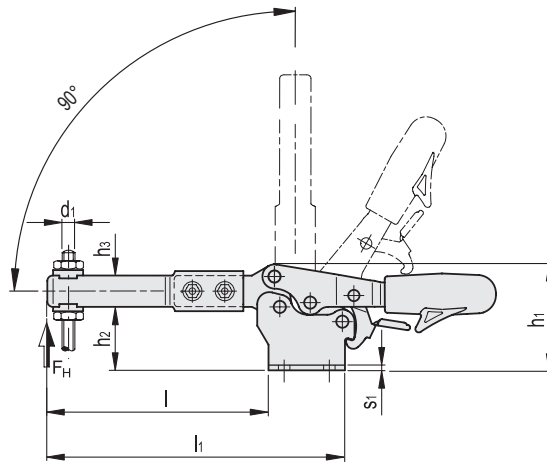
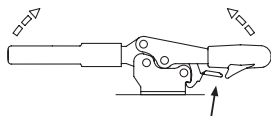
CLAMPING BOLT
To be ordered separately.



SPRING
AISI 302 stainless steel.



FEATURES AND APPLICATIONS
Safety stop to prevent accidental opening or closing in the presence of strong vibrations.
The operator's fingers cannot be hit by the lever while opening.
During clamping, the lever is controlled to prevent impact on functioning due to side thrust.
The main characteristic of the MOAS-PR clamp is the special extension of the locking arm to assist the specific use in checking templates.



Code	Description	a	b1	b2	b3	b4	d1	d2	h1	h2	h3	l	l1	m1	m2	s1	FH [N]*	Δ
GG.AD146	MOAS-PR.130/OLS	67.5	36	40	6.3	11.3	M5	5.6	51	30.5	16	135	171	26	22.4+28.4	2.5	600	295
GG.AD295	MOAS-PR.230/OLS	71.5	44	44	8.2	14.2	M6	6.6	61.5	36.5	18	152	196	26	26+31.5	3	1100	485