

# NDA.T | End-caps for round tubes

with adjustable height levelling element, technopolymer



## MATERIAL

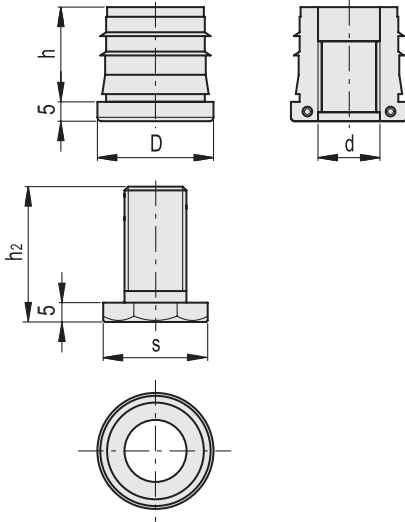
Polyamide based (PA) technopolymer, black colour, matte finish.

## FEATURES AND APPLICATIONS

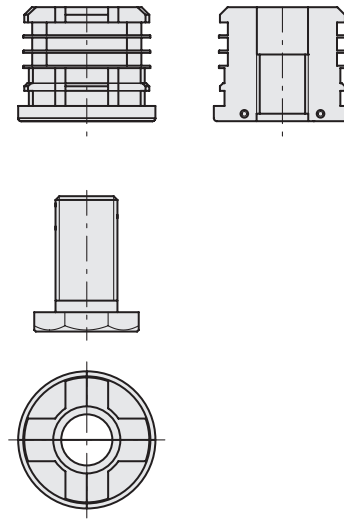
End-caps for round tubes with adjustable height levelling element  
The assembly can be performed simply by positioning the end-cap, forcing it, inside the tube, with no need of screws or other fasteners.



NDA.T-20 ÷ NDA.T-40



NDA.T-45 ÷ NDA.T-50



The geometry of the end-cap in the part that is inserted into the tube may vary for the different dimensions.

Code	Description	D	d	h	h2	s	Tube external diameter	Tube internal diameter min-max	Tube thickness min-max	Max. static load* [N]	⚖️
430471	NDA.T-20-M12x30	20	M12	34	32	SW19	20	18-17	1-1.5	1000	8
430476	NDA.T-22-M12x30	22	M12	34	32	SW19	22	20-19	1-1.5	1000	9
430481	NDA.T-25-M12x30	25	M12	34	32	SW19	25	23-21	1-2	1000	11
430486	NDA.T-28-M16x30	28	M16	34	37	SW27	28	26-24	1-2	1500	15
430491	NDA.T-30-M16x30	30	M16	27	37	SW27	30	27-26	1.5-2	1500	18
430496	NDA.T-30-M22x30	30	M22	27	35	SW27	30	27-26	1.5-2	2500	14
430501	NDA.T-32-M22x30	32	M22	34	35	SW27	32	30-28	1-2	2500	17
430506	NDA.T-35-M22x30	35	M22	34	35	SW27	35	32.6-31	1.2-2	2500	21
430511	NDA.T-38-M22x30	38	M22	34	35	SW27	38	35-34	1.5-2	2500	23
430516	NDA.T-40-M22x30	40	M22	34	35	SW27	40	38-36	1-2	2500	28
430521	NDA.T-45-M22x30	45	M22	34	35	SW27	45	42-41	1.5-2	2500	31
430526	NDA.T-50-M22x30	50	M22	34	35	SW27	50	47-46	1.5-2	2500	36

\* The value refers to laboratory tests carried out with a load applied vertically to the leveling element unscrewed from the end-cap of 10 mm leaning on a flat surface. The max limit static load is the value above which the load applied to the element may cause some plastic material breakage, under particular conditions of use. Obviously, a factor that takes into consideration the importance and the safety level of the specific application must be applied to this value.

