



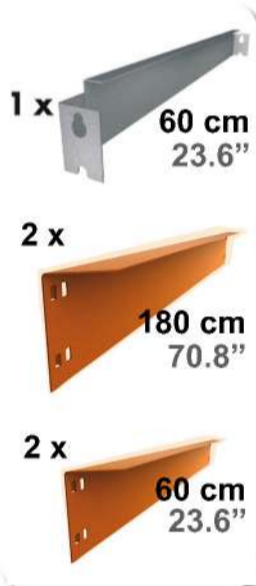
**Simon  
Rack**  
SINCE 1964 - MANUFACTURER

# ECOFORTE EA 1806

## Additional Shelf

**180 x 60 cm**  
70.8" X 23.6"

**5** Años Garantía  
Years Guarantee  
Jahre Garantie  
Ans Garantie  
**SIMONRACK**



On-line instructions: [www.instructionsrack.com/ecofortechipboard](http://www.instructionsrack.com/ecofortechipboard)



\*MEDIDAS EN USO USED MEASUREMENTS  
MASSNAHMEN IM EINSATZ MESURES EN EMPLOI MEDIDAS EM USO:  
1810 x 610 mm (71.2" x 24" )



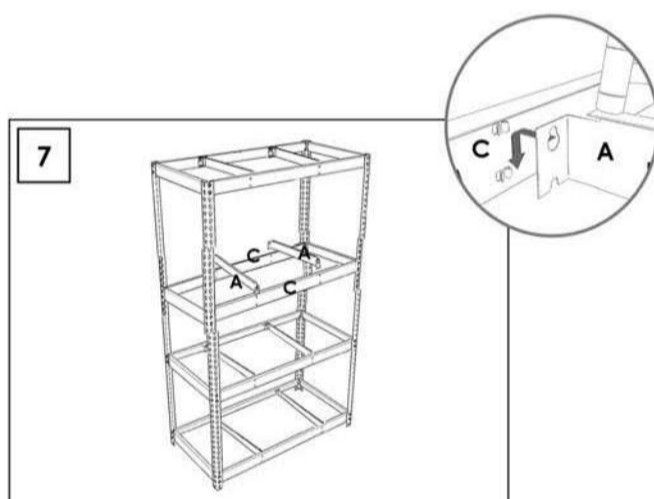
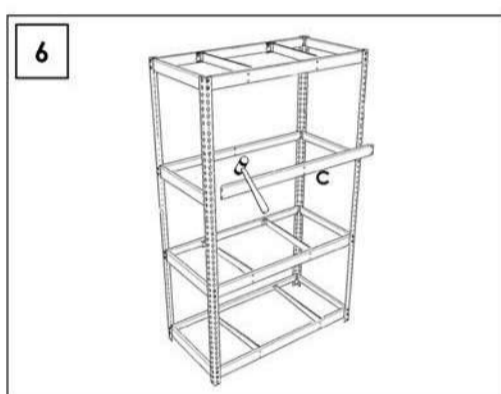
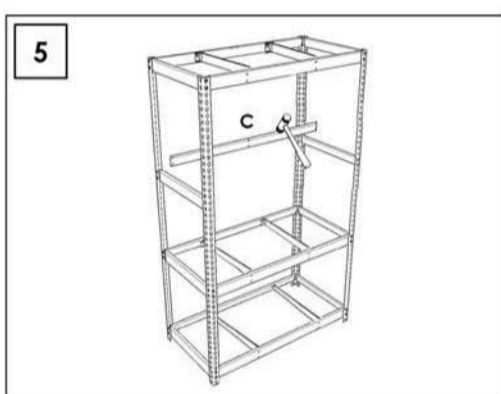
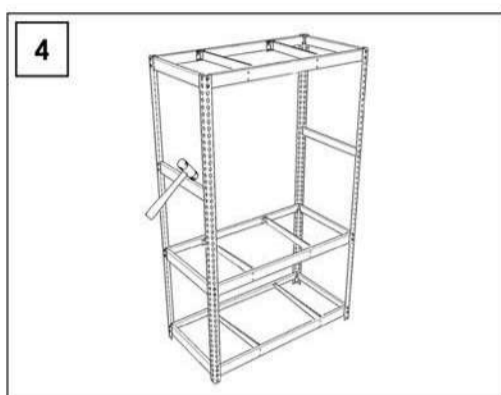
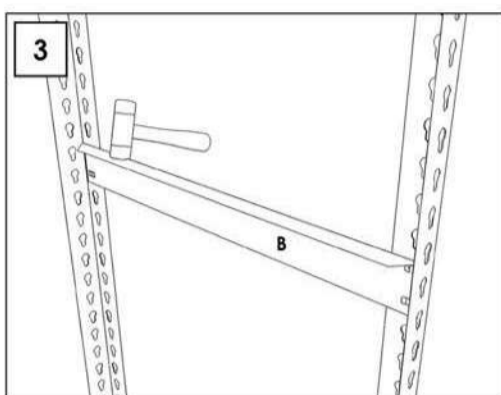
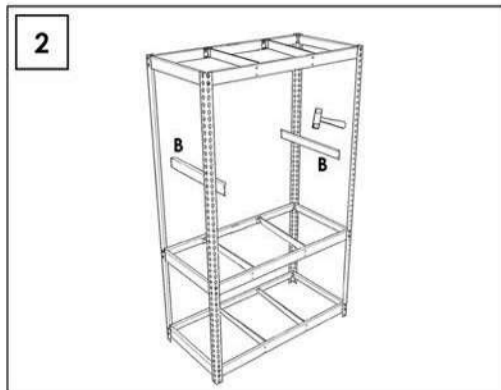
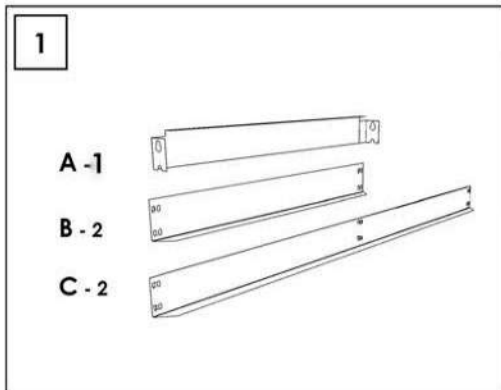
ESTANTERIAS SIMON S.L. B.50.556.463  
PG. ALFAMEN C/ POLIGONO C. Nº3  
ALFAMEN (ZARAGOZA)



[www.simonrack.com](http://www.simonrack.com)



INSTRUCCIONES  
INSTRUCTIONS  
ANLEITUNG



www.simonrack.com • www.simonrack.com • www.simonrack.com • www.simon-

**SIMONCLASSIC**



**SIMONCLICK**



**OFFCLICK**



**SIMONFORTE**



**SIMONCROMO**



**SIMONINOX**



**SIMONTITÁN**



**SIMONPALET**



**SIMONLEVER**

