

## Specifications:

### Electrical:

Rated voltage: 300V  
 Rated current: 8A  
 Wire range: 28~16AWG  
 Withstanding voltage: AC2000V/1 min.

### Mechanical:

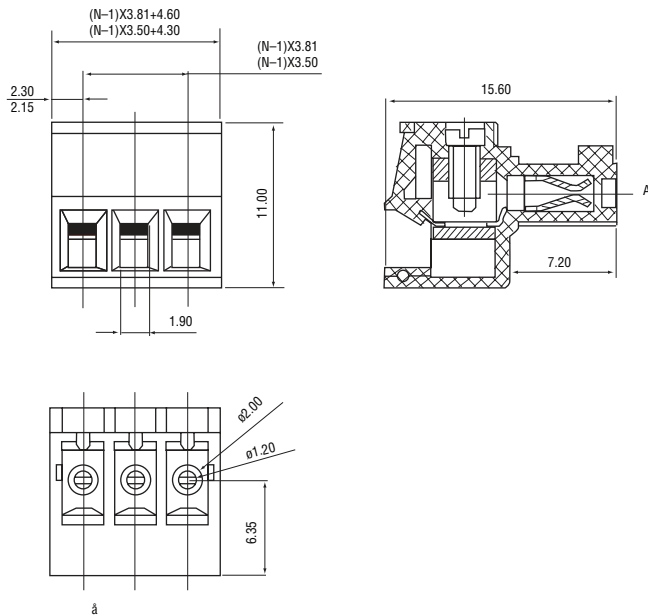
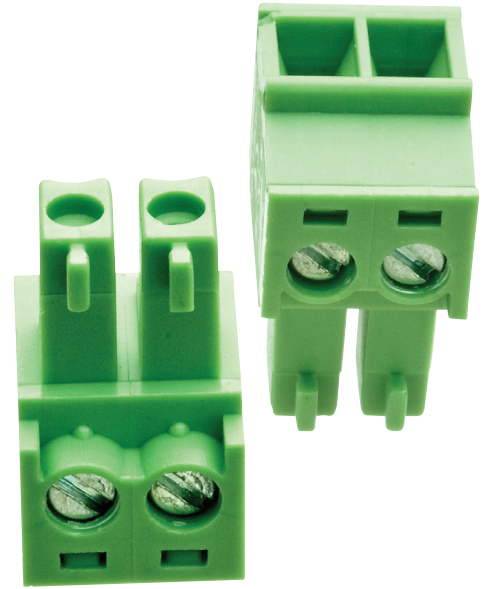
Torque: 0.2Nm (1.7Lb-in)  
 Ambient temperature: -40°C~+105°C  
 Strip Length: 7mm

### Dimensions:

Pitch: 3.5 (0.138in) 3.81mm (0.150in)  
 Poles: 2P-24P

### Material:

Housing: PA66, UL94V-0  
 Screws: M2, Steel, CR<sup>3</sup>+Zn plated  
 Contact: Phosphor bronze  
 Cage: Brass, Ni plated



Order code	Type	Poles
<b>21-3090</b>	Plug-in top header	2
<b>21-3091</b>		3
<b>21-3092</b>		4
<b>21-3093</b>		5
<b>21-3094</b>		6
<b>21-3095</b>		8
<b>21-3096</b>		10
<b>21-3097</b>	12	