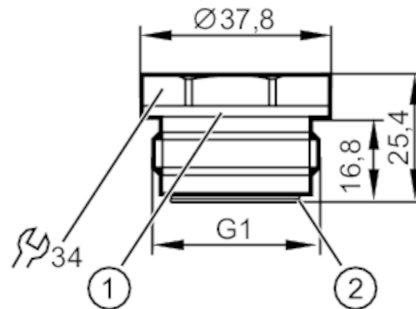


E30128



Cover plug for process connections

ADAPTER PLUG ASEPTOFLEX VARIO



- 1 groove for sealing ring DIN 3869-33-FKM
- 2 groove for O-ring 24 x 2 (EPDM) or optional sealing rings

EC 1935/2004 EHEDG Certified 

Tests / approvals	
Pressure Equipment Directive	A possible classification to PED depends on the application and has to be carried out by the user / operator.
Safety instructions	The compatibility between medium and product material has to be checked in all applications.
Mechanical data	
Weight [g]	203
Materials	Adapter: stainless steel (1.4435 / 316L) surface or material in direct contact with the medium; Gasket: FKM
Sensor connection	G 1 external thread Aseptoflex Vario
Process connection	G 1 Aseptoflex Vario
Surface characteristics Ra/Rz of the wetted parts	0.4 / 4
Accessories	
Accessories (supplied)	O-rings: 1 x 24 x 2 (EPDM), in contact with the medium O-rings: 1 x DIN 3869-33-FKM
Accessories (optional)	O-ring: 24 x 2 (FKM), in contact with the medium, E30123 sealing ring: PEEK, in contact with the medium, E30124
Remarks	
Pack quantity	1 pcs.