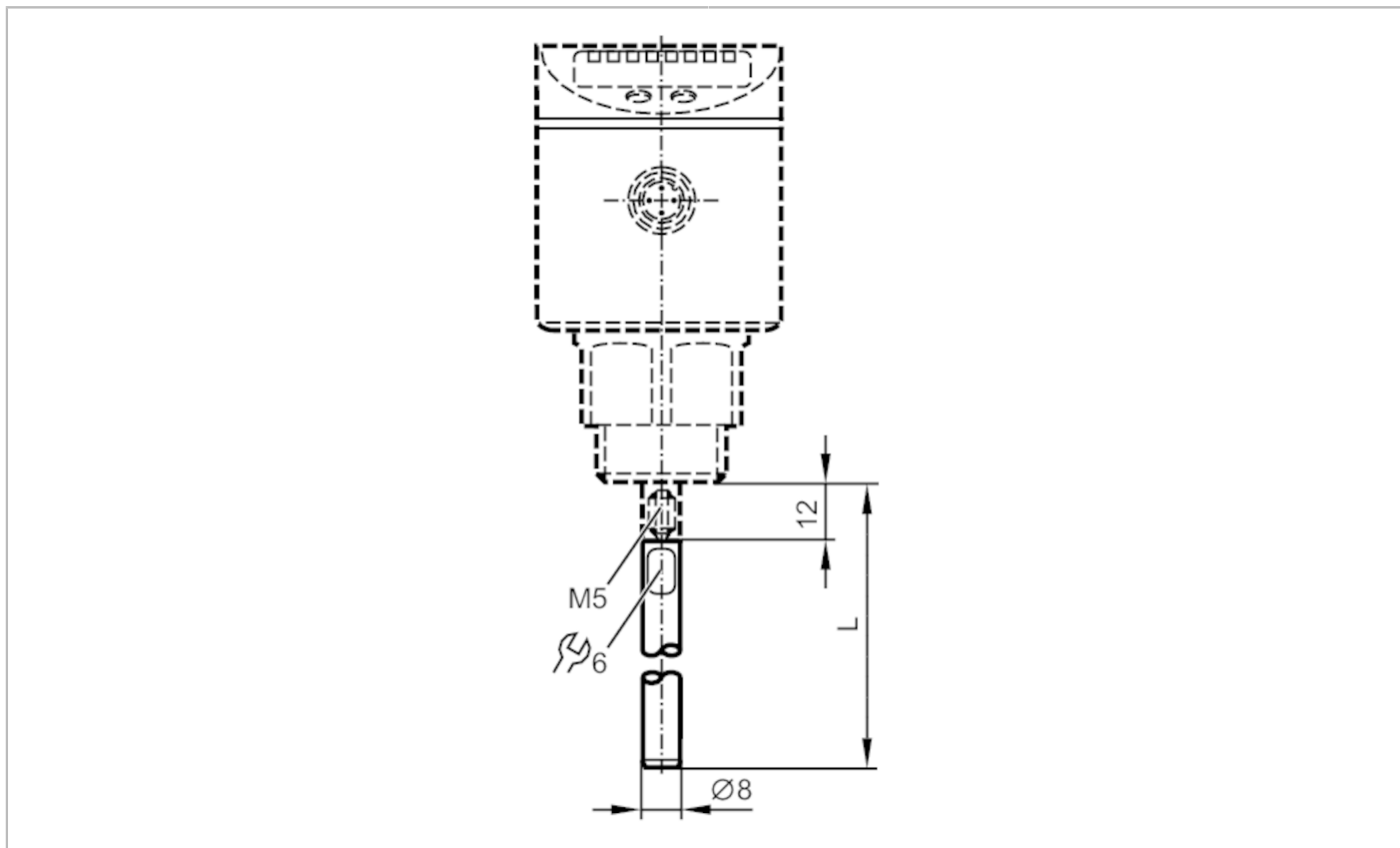


E43208



Probe for level sensors

LR PROBE L1200



| Application | |
|-------------------------|---------------------------------|
| Design | for level sensors LR |
| Measuring/setting range | |
| Probe length L [mm] | 1200 |
| Mechanical data | |
| Weight [g] | 512 |
| Materials | stainless steel (1.4404 / 316L) |
| Tightening torque [Nm] | 4 |
| Remarks | |
| Pack quantity | 1 pcs. |