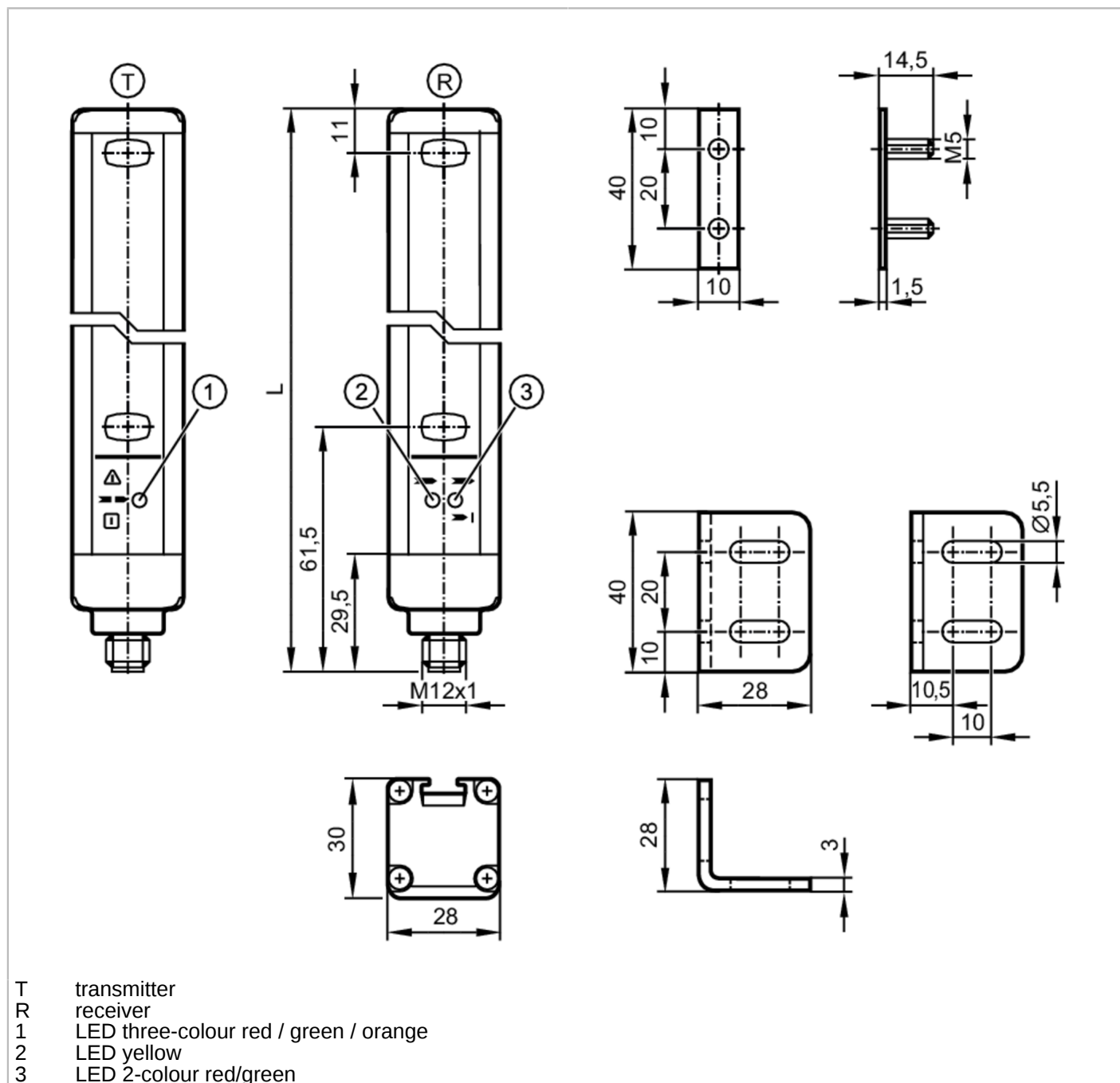


OY084S



Safety light curtain

OYA0610-50-4-12-P-1



Product characteristics

| | |
|-----------------|----------------|
| Type of light | infrared light |
| Dimensions [mm] | 663 x 28 x 30 |

Application

| | |
|---------------------|---|
| Protective function | access prevention bodies or parts of bodies |
|---------------------|---|



Safety light curtain

OYA0610-50-4-12-P-1

| Electrical data | | |
|--|------|--|
| Operating voltage tolerance | [%] | 20 |
| Operating voltage | [V] | 24 DC |
| Protection class | | III |
| Reverse polarity protection | | yes |
| Power-on delay time | [s] | < 2 |
| Type of light | | infrared light |
| Wave length | [nm] | 950 |
| Receiver | | |
| Current consumption | [mA] | 83 |
| Transmitter | | |
| Current consumption | [mA] | 42 |
| Outputs | | |
| Electrical design | | PNP |
| Number of OSSD outputs | | 2 |
| Max. current load per OSSD output | [mA] | 400; (24 V) |
| Short-circuit protection | | yes |
| Detection zone | | |
| Protected area height | [mm] | 610 |
| Resolution (detection capacity d) | [mm] | 50 |
| Protection area width (low light intensity) | [m] | 0...4 |
| Protection area width (high light intensity) | [m] | 3...12 |
| Response times | | |
| Response time | [ms] | 5.5 |
| Operating conditions | | |
| Applications | | class C to EN 60654-1 weatherproof application |
| Ambient temperature | [°C] | -10...55 |
| Storage temperature | [°C] | -20...70 |
| Max. relative air humidity | [%] | 95 |
| Protection | | IP 65; IP 67 |
| Tests / approvals | | |
| EMC | | IEC 61496-1 |
| Shock resistance | | IEC 61496-1 |
| Vibration resistance | | IEC 61496-1 |



Safety light curtain

OYA0610-50-4-12-P-1

| Safety classification | |
|---------------------------------------|------------------|
| ESPE type (IEC 61496-1) | 4 |
| ISO 13849-1 | category 4, PL e |
| IEC 61508 | SIL 3 |
| IEC 62061 | SIL cl 3 |
| Mission time TM [h] | 175200 |
| Safety-related reliability PFHD [1/h] | 8.5E-09 |

| Mechanical data | |
|-----------------|------------------------------------|
| Weight [g] | 2510 |
| Dimensions [mm] | 663 x 28 x 30 |
| Materials | housing: aluminium; front lens: PC |
| Length L [mm] | 663 |

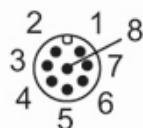
| Displays / operating elements | | |
|-------------------------------|-------------|---------|
| Display | transmitter | 1 x LED |
| | receiver | 2 x LED |

| Accessories | |
|------------------------|---------------------|
| Accessories (supplied) | mounting bracket: 4 |
| | slot nuts: 4 |
| | Nuts |

| Remarks | |
|---------------|---|
| Notes | For 8-pole sockets the core colours are not standardised.; Please note the wiring of the sensor and the sockets (see data sheet). |
| Pack quantity | 1 pcs. |

Electrical connection - receiver

Connector: 1 x M12; Maximum cable length: 100 m; for wire cross-section 0.34 mm²



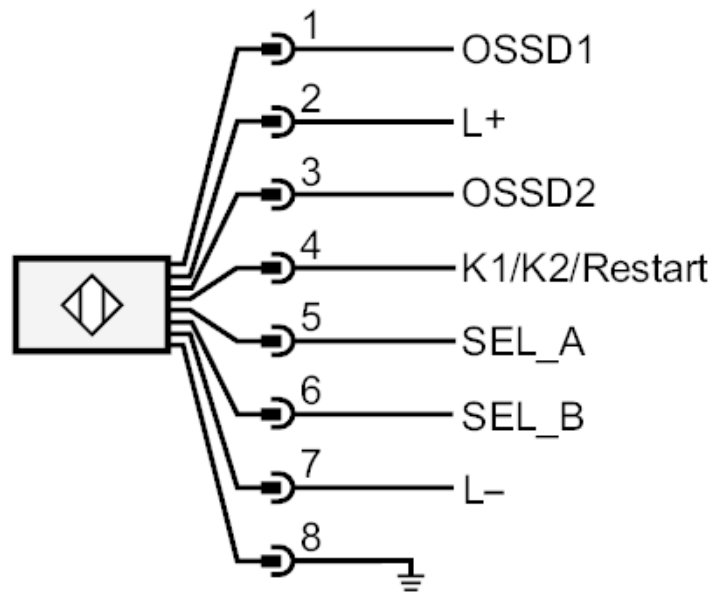
OY084S



Safety light curtain

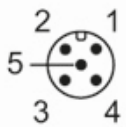
OYA0610-50-4-12-P-1

Connection



Electrical connection - transmitter

Connector: 1 x M12



OY084S



Safety light curtain

OYA0610-50-4-12-P-1

Connection

