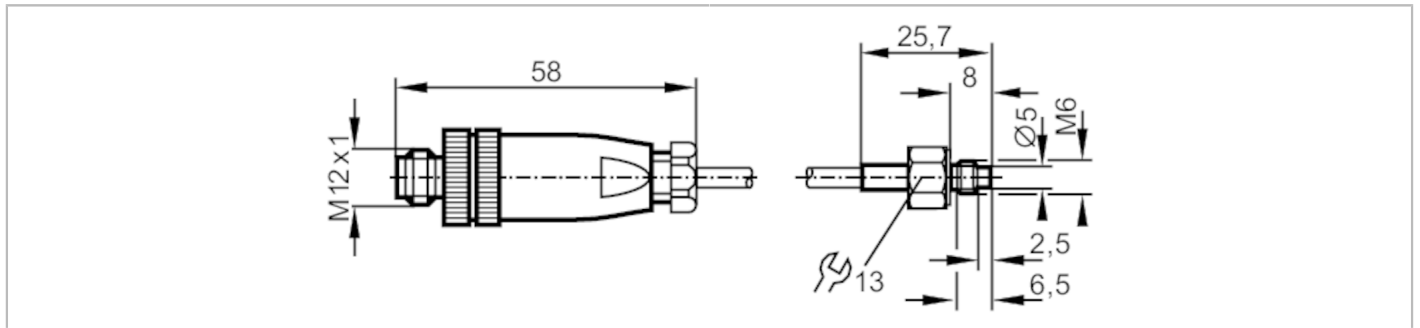


TS2659



Temperature cable sensor with screw-in sensor

TS-PT100-SCREW-IN M6



DNV·GL
dnvgl.com/af



| Product characteristics | | |
|----------------------------|--|--------------------------|
| Measuring range | -30...180 °C | -22...356 °F |
| Process connection | threaded connection M6 external thread | |
| Application | | |
| Measuring element | 1 x Pt 100; (to DIN EN 60751, class A) | |
| Installation | surface mount RTD for solid bodies | |
| Electrical data | | |
| Protection class | III | |
| Measuring/setting range | | |
| Measuring range | -30...180 °C | -22...356 °F |
| Accuracy / deviations | | |
| Accuracy | [K] | ± (0,15 K + 0,002 x t) |
| Response times | | |
| Dynamic response T05 / T09 | [s] | 3 / 8; (to DIN EN 60751) |
| Operating conditions | | |
| Protection | IP 67 | |
| Tests / approvals | | |
| MTTF | [years] | 10377.8 |
| Mechanical data | | |
| Weight | [g] | 110.7 |
| Housing | screw-in sensor | |
| Dimensions | [mm] | M6 |
| Thread designation | M6 | |
| Materials | stainless steel (1.4404 / 316L) | |
| Process connection | threaded connection M6 external thread | |
| Remarks | | |
| Pack quantity | 1 pcs. | |
| Electrical connection | | |
| Cable: 2 m, silicone | | |
| Connector: 1 x M12 | | |

TS2659



Temperature cable sensor with screw-in sensor

TS-PT100-SCREW-IN M6



Connection

