

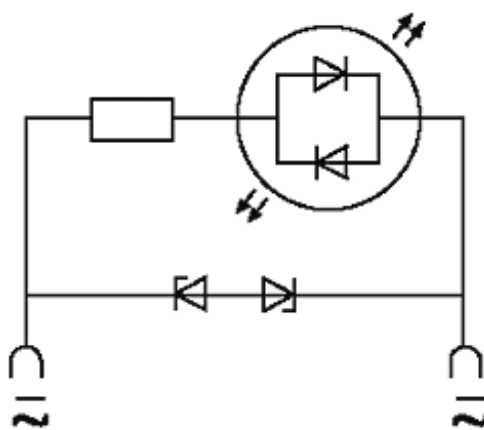
VALVE PLUG SUPPRESSOR FORM A - 18MM

Zener diode and LED, 24VDC/100VA/W

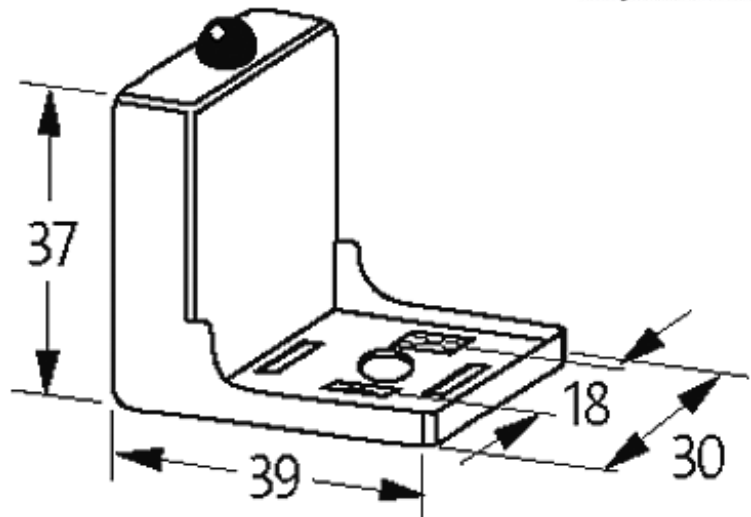
24 V AC/DC

Z-Diode + LED

Remove plug gasket when fitting adapter. Other LED colors on request.

[Link to Product](#)**Illustration**

LED + Zenerdiode



Product may differ from Image

Technical Data

LED display	(yellow opac)
Contact material	Silvered bronze
Material	Polyamide black, flame retardant, temperature resistance up to 130 °C
Switch off peak	max. 55 V
Switch off delay time	max. 20 ms
Max. power (W)	max. 100 W(VA)

General data

Temperature range	-20...+60 °C
Dimensions H × W × D	37×39×30 mm

Commercial data

country of origin	CZ
customs tariff number	85363010
minimum order quantity	1