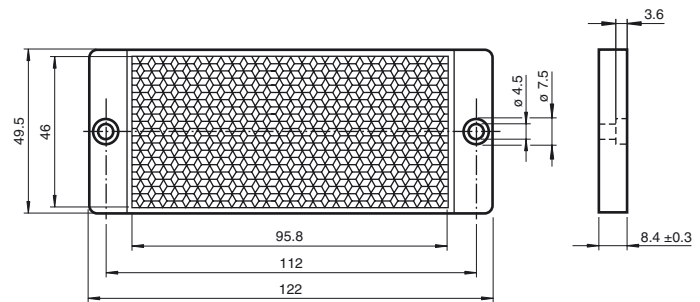




## Dimensions



## Model Number

**REF-H50x100HT**

Reflector, rectangular 49.5 mm x 122 mm, mounting holes, high temperature applications

## Features

- Mounting holes for simple installation
- High temperature rated to 120 °C (248 °F)

## Technical data

### General specifications

Construction type rectangular

### Ambient conditions

Ambient temperature -20 ... 120 °C (-4 ... 248 °F) ; briefly (< 2 min) up to 160 °C (320 °F)

### Mechanical specifications

Material PMMA  
 Dimensions 122 mm x 49.5 mm x 8.4 mm  
 Mounting mounting holes