



SIRIUS MOTOR STARTER M200D  
 COMMUNICATIONS MODULE PROFIBUS DP  
 REMOVABLE BUS INTERFACE 2 X M12 WITH  
 LOOPING POWER CONNECTION 24V 2 X 7/8" WITH  
 LOOPING INTEGR. BUS TERMINATOR RESISTOR  
 USING A TECHNOLOGY MODULE 3RK1395\* USABLE  
 AS MOTOR STARTER M200D WITH COMM.

**General technical data:**

<b>product brand name</b>		SIRIUS
<b>Product designation</b>		communication module M200D for PROFIBUS
<b>Design of the product</b>		communication module
<b>Product function Bus communication</b>		Yes
<b>Surge voltage resistance Rated value</b>	V	800
<b>Insulation voltage Rated value</b>	V	30
<b>Active power loss typical</b>	W	1
<b>Equipment marking acc. to DIN EN 61346-2</b>		Q
<b>Mounting type</b>		screw fixing
<b>Width</b>	mm	174
<b>Height</b>	mm	139
<b>Depth</b>	mm	32

**Control circuit/ Control:**

<b>Type of voltage of the control supply voltage</b>		DC
<b>Control supply voltage 1</b>		
• for DC Rated value	V	24

**Supply voltage:**

<b>Type of voltage of the supply voltage</b>		DC
<b>Supply voltage</b>		
• for DC Rated value	V	24
• for DC Rated value minimum permissible	V	20.4
• for DC Rated value maximum permissible	V	28.8

**Ambient conditions:**

<b>Protection class IP</b>		IP65
<b>Ambient temperature</b>		
• during storage	°C	-40 ... +70
• during operation	°C	-25 ... +55
• during transport	°C	-40 ... +70
Relative humidity during operation	%	10 ... 95
<b>Vibration resistance</b>		7 mm / 2g
<b>Shock resistance</b>		12g / 11 ms
<b>Degree of pollution</b>		3
<b>Installation altitude at height above sea level maximum</b>	m	2 000
<b>mounting position</b>		vertical, horizontal, flat
<b>mounting position recommended</b>		horizontal

#### Communication/ Protocol:

Design of the interface AS-interface protocol		No
Protocol is supported AS-interface protocol		No
Design of the interface PROFIBUS DP protocol		Yes
Protocol is supported PROFIBUS DP protocol		Yes
<b>Product function</b>		
• Control circuit interface with IO link		No
• Control circuit interface to parallel wiring		No
Protocol is supported PROFINET protocol		No
Type of electrical connection of the communication interface		M12 plug

#### Connections/ Terminals:

<b>Type of electrical connection</b>		
• for communication transmission		M12 socket
• for auxiliary and control current circuit		connector

#### Electromagnetic compatibility:

<b>EMI immunity acc. to IEC 60947-1</b>		corresponds to degree of severity 3, ambience A (industrial sector)
<b>Conducted interference due to burst acc. to IEC 61000-4-4</b>		2 kV network connection / 1 kV control connection
<b>Conducted interference due to conductor-earth surge acc. to IEC 61000-4-5</b>		2 kV
<b>Conducted interference due to conductor-conductor surge acc. to IEC 61000-4-5</b>		1 kV
<b>EMC emitted interference acc. to IEC 60947-1</b>		CISPR11, ambience A (industrial sector)
<b>Certificate of suitability</b>		CE

#### Certificates/ approvals:

General Product Approval	Declaration of Conformity	Test Certificates
--------------------------	---------------------------	-------------------



[Type Test Certificates/Test Report](#)

**other**

[Environmental Confirmations](#)



Profibus

**Further information**

**Information- and Downloadcenter (Catalogs, Brochures,...)**

<http://www.siemens.com/industrial-controls/catalogs>

**Industry Mall (Online ordering system)**

<http://www.siemens.com/industrymall>

**Cax online generator**

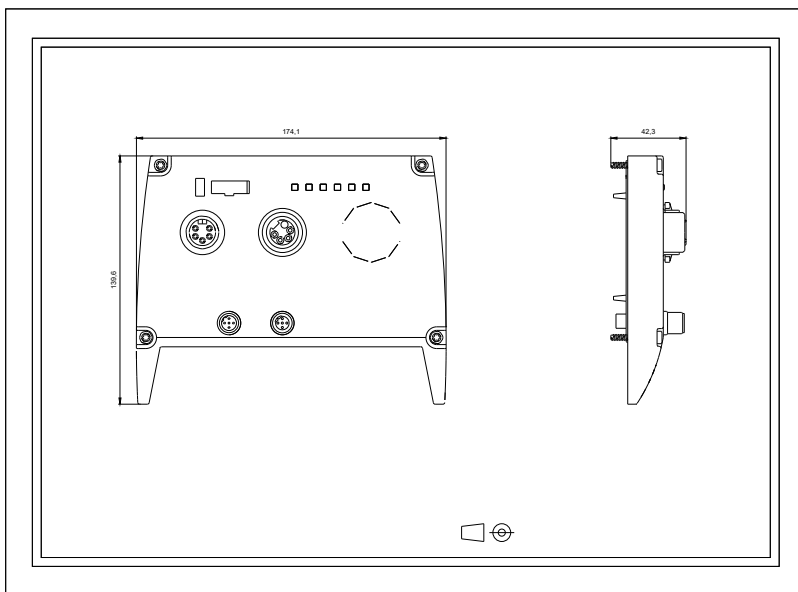
<http://support.automation.siemens.com/WW/CAXorder/default.aspx?lang=en&mlfb=3RK13050AS010AA0>

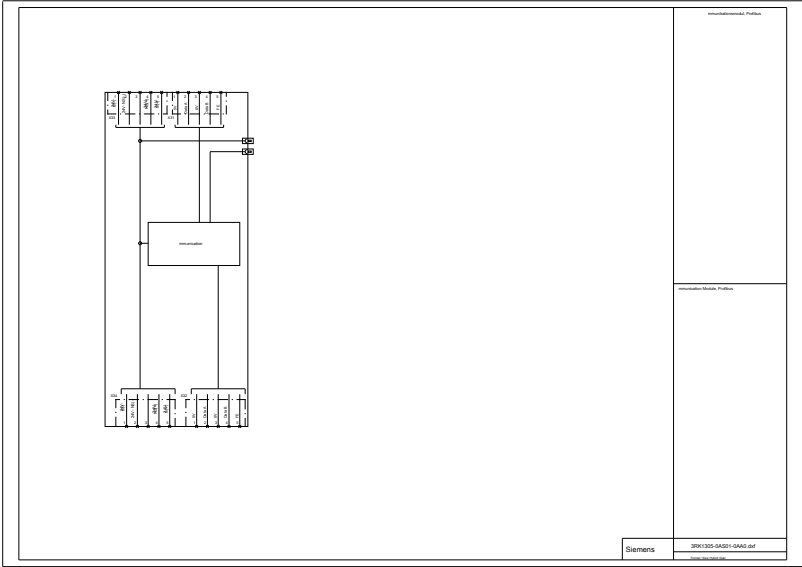
**Service&Support (Manuals, Certificates, Characteristics, FAQs,...)**

<http://support.automation.siemens.com/WW/view/en/3RK13050AS010AA0/all>

**Image database (product images, 2D dimension drawings, 3D models, device circuit diagrams, EPLAN macros, ...)**

<http://www.automation.siemens.com/bilddb/index.aspx?attID9=3RK13050AS010AA0&lang=en>





last modified:

09.03.2015