

# Flow Sensor

## FFAF224

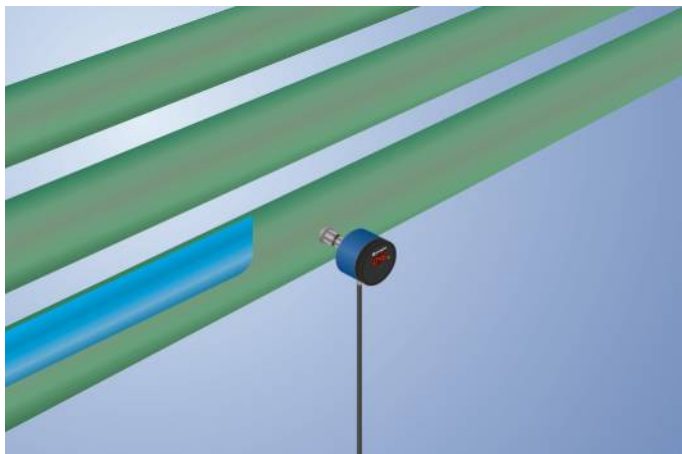
Part Number

UniFlow



- Display can be switched between flow and medium temperature
- Highest precision of its class
- Measurement independent of flow direction
- Selectable measuring range
- Temperature of the medium: 0 ... 100° C (140° C for 24 hours without current measurement)

wenglor UniFlow flow sensors measure the flow rate of aqueous and oily media in closed piping systems. UniFlow flow sensors are very easy to operate thanks to the integrated display. The highly visible switching status display enables the rapid localization of affected sensors for maintenance processes.



### Technical Data

#### Sensor-specific data

Measuring Range	0,1...10 l/min
Adjustable Range	0,4...10 l/min
Medium	Water
Measuring error	2 %
Switching Hysteresis	5 %
Temperature gradient	30 K
Response time in case of temperature jump	10 s

#### Environmental conditions

Temperature of medium	0...100 °C
Temperature of the medium, short-term	140 °C
Ambient temperature	-20...70 °C
Pressure Resistance	60 bar
EMC	DIN EN 60947-5-9
Shock resistance per DIN IEC 68-2-27	30 g / 11 ms
Vibration resistance per DIN IEC 60068-2-6	20 g (10...2000 Hz)

#### Electrical Data

Supply Voltage	16...32 V DC
Current Consumption (U <sub>b</sub> = 24 V)	60 mA
Number of Switching Outputs	1
Analog Output	4...20 mA Flow / Temp
Response Time	1...5 s
Switching Output/Switching Current	< 250 mA
Switching Output Voltage Drop	< 2 V
Current Output Load Resistance	< 500 Ohm
Short Circuit Protection	yes
Reverse Polarity Protection	yes
Protection Class	III

#### Mechanical Data

Setting Method	Menu
Housing Material	PBT; PC; FKM
Material Control Panel	Polyester
Material in contact with media	1.4435; 1.4404; FKM
Degree of Protection	IP67 *
Connection	M12 × 1; 4-pin
Process Connection	Sealing cone M18 × 1,5
Process Connection Length (PCL)	64 mm
Probe Length (PL)	44 mm

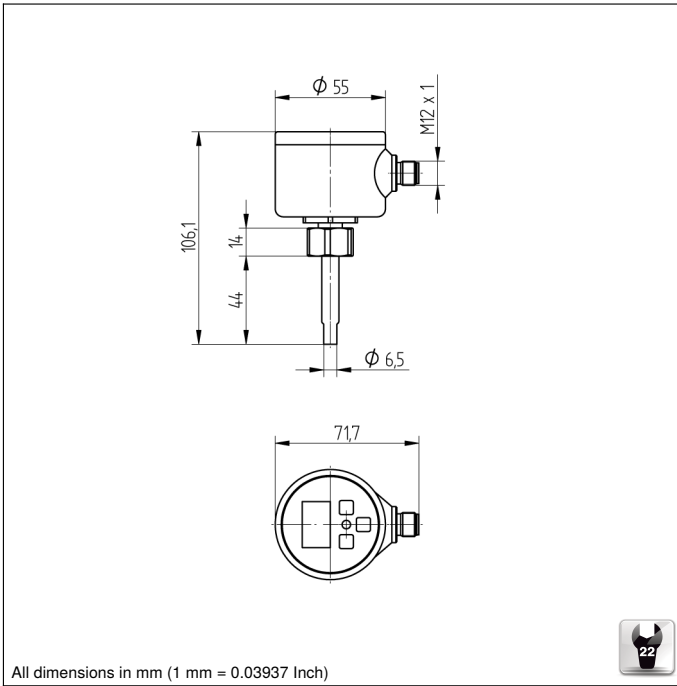
#### Safety-relevant Data

MTTFd (EN ISO 13849-1)	1194,55 a
Analog output switchable to flow or temperature	●
PNP NO/NC switchable	●
Connection Diagram No.	533
Control Panel No.	A21
Suitable Connection Equipment No.	2
Suitable Mounting Technology No.	900   901

\* Tested by wenglor

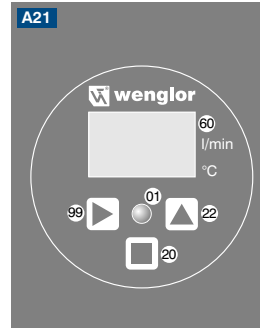
### Complementary Products

Software

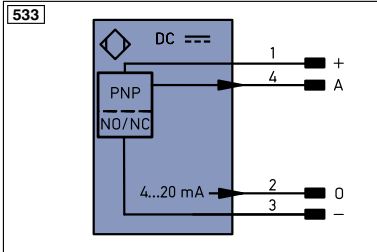


All dimensions in mm (1 mm = 0.03937 Inch)

### Ctrl. Panel



- 01 = Switching Status Indicator
- 20 = Enter Button
- 22 = UP Button
- 60 = Display
- 99 = Right button



### Legend

+	Supply Voltage +	PT	Platinum measuring resistor	EN <sup>A/RS422</sup>	Encoder A/Ā (TTL)
-	Supply Voltage 0 V	nc	not connected	EN <sup>B/RS422</sup>	Encoder B/B̄ (TTL)
~	Supply Voltage (AC Voltage)	U	Test Input	EN <sup>A</sup>	Encoder A
A	Switching Output (NO)	Ū	Test Input inverted	EN <sup>B</sup>	Encoder B
Ā	Switching Output (NC)	W	Trigger Input	A <sup>MIN</sup>	Digital output MIN
V	Contamination/Error Output (NO)	W-	Ground for the Trigger Input	A <sup>MAX</sup>	Digital output MAX
Ṽ	Contamination/Error Output (NC)	O	Analog Output	A <sup>OK</sup>	Digital output OK
E	Input (analog or digital)	O-	Ground for the Analog Output	SY <sup>In</sup>	Synchronization In
T	Teach Input	BZ	Block Discharge	SY <sup>OUT</sup>	Synchronization OUT
Z	Time Delay (activation)	AWV	Valve Output	OL <sup>T</sup>	Brightness output
S	Shielding	a	Valve Control Output +	M	Maintenance
RxD	Interface Receive Path	b	Valve Control Output 0 V	rsv	reserved
TxD	Interface Send Path	SY	Synchronization	Wire Colors according to DIN IEC 757	
RDY	Ready	SY-	Ground for the Synchronization	BK	Black
GND	Ground	E+	Receiver-Line	BN	Brown
CL	Clock	S+	Emitter-Line	RD	Red
E/A	Output/Input programmable	⊕	Grounding	OG	Orange
	IO-Link	S <sub>n</sub> R	Switching Distance Reduction	YE	Yellow
PoE	Power over Ethernet	Rx+/-	Ethernet Receive Path	GN	Green
IN	Safety Input	Tx+/-	Ethernet Send Path	BU	Blue
OSSD	Safety Output	Bus	Interfaces-Bus A(+)/B(-)	VT	Violet
Signal	Signal Output	L <sub>a</sub>	Emitted Light disengageable	GY	Grey
Bl_D+/-	Ethernet Gigabit bidirect. data line (A-D)	Mag	Magnet activation	WH	White
EN <sup>0/RS422</sup>	Encoder 0-pulse 0-0̄ (TTL)	RES	Input confirmation	PK	Pink
		EDM	Contacting Monitoring	GNYE	Green/Yellow

