

Tommy Nuts · DIN 6307 with moveable pin

24510.0712



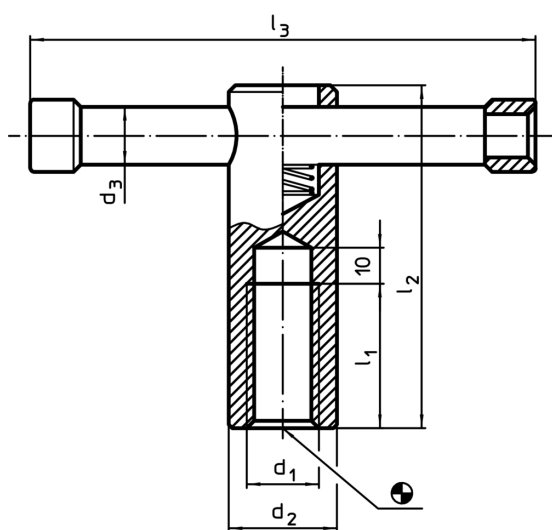
Product Description

With this version, the pin is moveable and held by the spring.

Material

- Free cutting steel, blackened

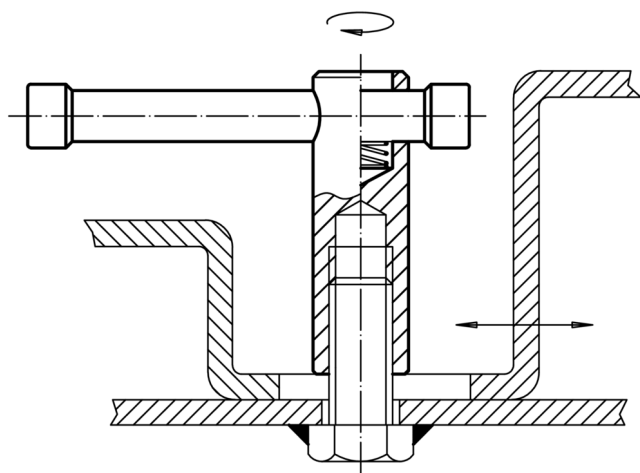
Drawing



Order information

d ₁	d ₂	Dimensions			l ₂	l ₃	[g]	Art. No.
		d ₃	l ₁	[mm]				
M12	20	10	25		70	100	180	24510.0712

Application example



Compliance

RoHS compliant

Contains lead - compliant according to exceptions 6a / 6b / 6c

Contains SVHC substances >0,1% w/w

Contains lead - SVHC list [REACH] as of 10.06.2022

Contains Proposition 65 substances



Lead can cause cancer and reproductive harm from exposure
<https://www.P65Warnings.ca.gov/>

Free from Conflict Minerals

This product does not contain any substances designated as "conflict minerals" such as tantalum, tin, gold or tungsten from the Democratic Republic of Congo or adjacent countries.