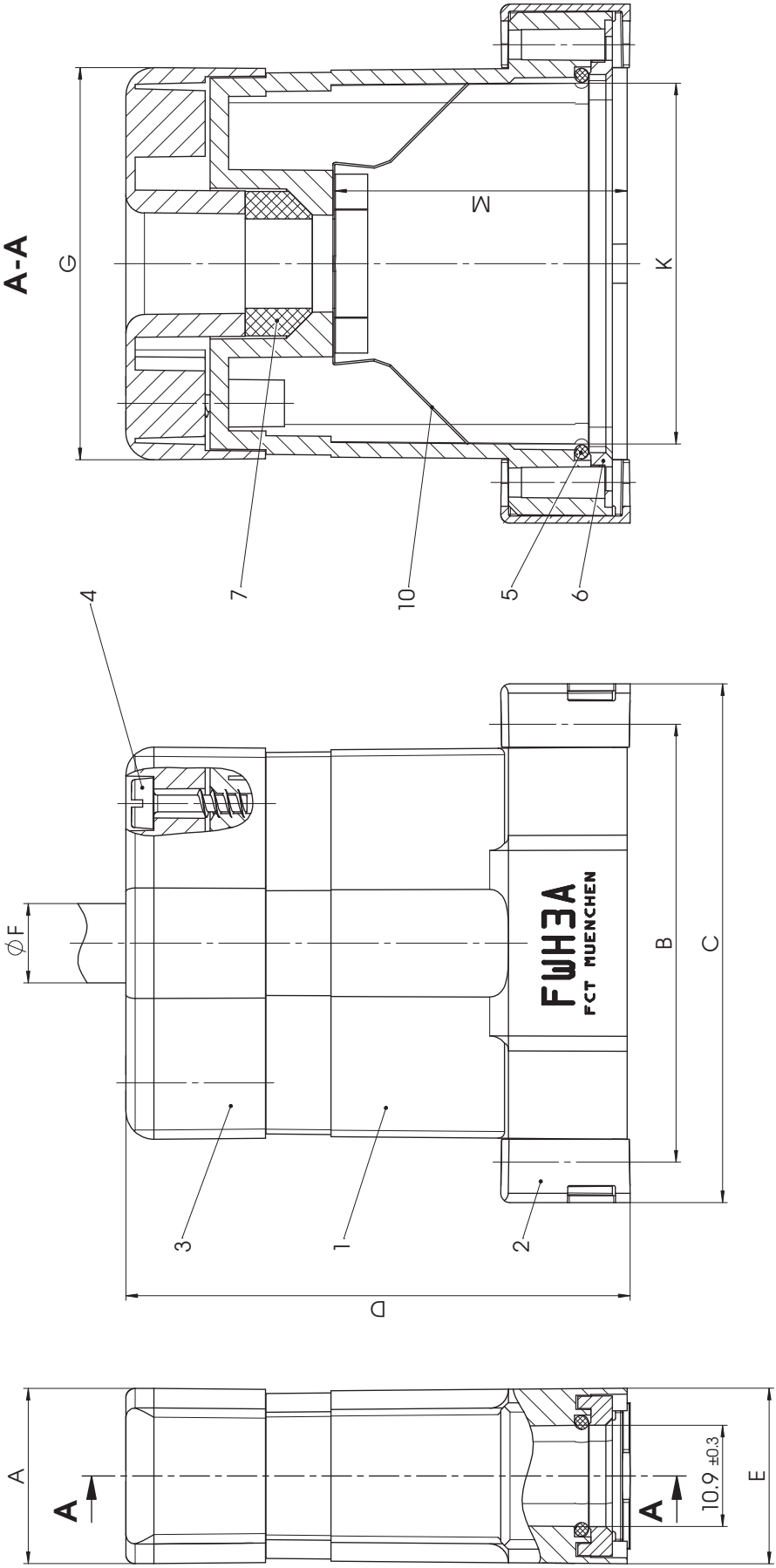
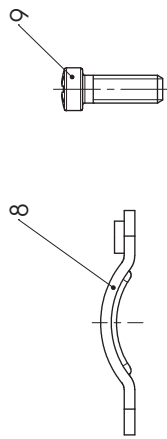


A-A



④ $\varnothing F$ = cable diameter
 max. torque are 40 Ncm
 Mounting instruction AM0324
 Part-No. 2, 8 and 9 not mounted

Protection standard IP67
 according to DIN EN 60529



10	1	Shielding plate	Bronze	fin plated
9	2	Cable clamp screw	Steel	zinc plated
8	2	Cable clamp	Steel	zinc plated
7	1	Seal ring	Elastomer	black
6	1	Holding frame	Plastic	black
5	1	O-ring seal	Elastomer	red
4	2	Shell screw	Stainless steel	blank
3	1	Hood cap	Polyester	nickel plated
2	2	Holding cap	Polyester	black
1	1	Hood	FWH1-3A / Polyester	nickel plated
No.	St.	Part	Type Description/Material	Surface plating/Colour/Class

Measure without tolerance acc. to ISO 2768-m		SCALE	TITLE		
NAME / DATE ANKE/Meyer-Richter 06-08-2007		2:1	Plastic hood waterproof		
DRAWN ANKE/Meyer-Richter 06-08-2007					
4	07-09-2009	22465	 fctgroup.com		
3	30-09-2008	22315			
2	10-08-2007	22090			
REV.	DATE	CH.-NO.	DWG.NO.	REPLACEMENT FOR:	PAGES
1			FWH1-3A	FWH1-3AB, ACAD	1

Order No.	Shell Size / for No. of Contacts	A	B	C	D	E	$\varnothing F$	G	K	M
FWH1A	1 / 9	15.6	25	33.6	41.5 - 43.5	15.9	6 - 8	20	17	24.8
FWH2A	2 / 15	14.6	33.3	42	45.5 - 48	15.9	6 - 8	28.4	25.1	29.6
FWH3A	3 / 25	18.8	47.04	55.7	52.5 - 56.5	18.9	8 - 10.5	42.1	38.8	31.6

ALL RIGHTS ARE RESERVED BY US FOR THIS DRAWING. WITHOUT OUR PRIOR CONSENT, IT MAY NOT BE REPRODUCED OR TRANSMITTED IN ANY FORM OR BY ANY MEANS, ELECTRONIC OR MECHANICAL, INCLUDING PHOTOCOPYING, RECORDING, OR BY ANY INFORMATION STORAGE AND RETRIEVAL SYSTEM. ALL RIGHTS ARE RESERVED BY US FOR THIS DRAWING. WITHOUT OUR PRIOR CONSENT, IT MAY NOT BE REPRODUCED OR TRANSMITTED IN ANY FORM OR BY ANY MEANS, ELECTRONIC OR MECHANICAL, INCLUDING PHOTOCOPYING, RECORDING, OR BY ANY INFORMATION STORAGE AND RETRIEVAL SYSTEM.