

**RoHS  
Compliant**




## Specifications

Action : SPST  
 Contact Rating : 15A at 250V AC, 20A at 125V AC  
 Max. Contact Resistance : 20mΩ  
 Dielectric Strength : 1,500Vrms  
 Min. Insulation Resistance : 200MΩ at 500V DC  
 Operating Life : 40,000 cycles  
 Operating Temperature : -30°C to +85°C

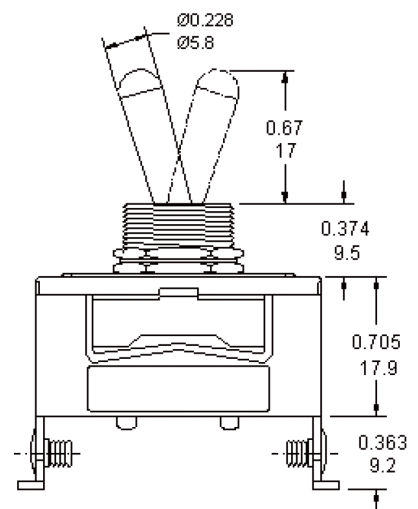
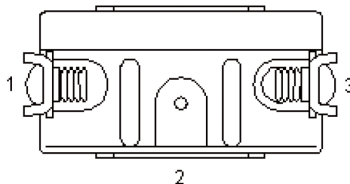
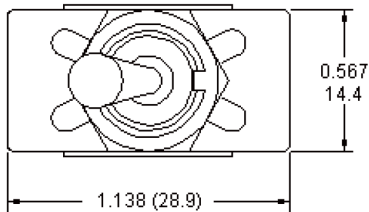
## Material

Actuator : Brass, chrome plated  
 Bushing : Brass, nickel plated  
 Contact : Silver alloy  
 Support : Brass, tin plated  
 Terminal : SPC21159, SPC21160 - Brass, nickel plated, (Screw / Long)  
 Terminal : SPC21522 - Brass, tin plated, (Solder)  
 Terminal : SPC21157 - Bare brass, (Flat)



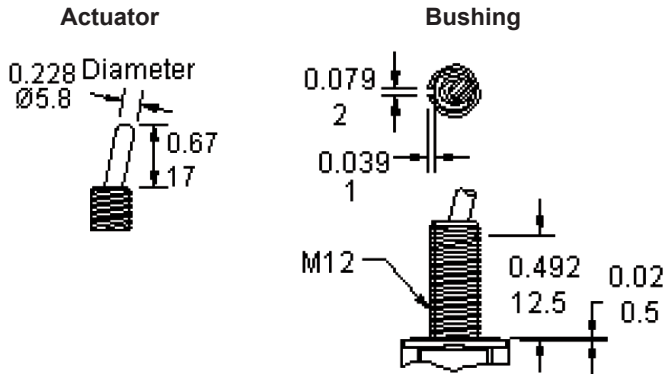
Model No.	Switching Position		
			
SPC21522 SPC21157 SPC21159	ON	NONE	OFF
SPC21160	MOM	NONE	OFF
Conn. Terms	1-3	NONE	OPEN
No. Poles	SPST		

## Diagram



Dimensions : Inches (Millimetres)

Newark.com/multicomp-pro  
 Farnell.com/multicomp-pro  
 Element14.com/multicomp-pro



### Part Number Table

Description	Part Number
Toggle Switch, On-Off, SPST, Non Illuminated, 20A	SPC21522
Toggle Switch, On-Off, SPST, Non Illuminated, 20A	SPC21157
Toggle Switch, On-Off, SPST, Non Illuminated, 20A	SPC21159
Toggle Switch, (On)-Off, SPST, Non Illuminated, 20A	SPC21160

Dimensions : Inches (Millimetres)

**Important Notice :** This data sheet and its contents (the "Information") belong to the members of the AVNET group of companies (the "Group") or are licensed to it. No licence is granted for the use of it other than for information purposes in connection with the products to which it relates. No licence of any intellectual property rights is granted. The Information is subject to change without notice and replaces all data sheets previously supplied. The Information supplied is believed to be accurate but the Group assumes no responsibility for its accuracy or completeness, any error in or omission from it or for any use made of it. Users of this data sheet should check for themselves the Information and the suitability of the products for their purpose and not make any assumptions based on information included or omitted. Liability for loss or damage resulting from any reliance on the Information or use of it (including liability resulting from negligence or where the Group was aware of the possibility of such loss or damage arising) is excluded. This will not operate to limit or restrict the Group's liability for death or personal injury resulting from its negligence. Multicomp Pro is the registered trademark of Premier Farnell Limited 2019.

Newark.com/multicomp-pro  
 Farnell.com/multicomp-pro  
 Element14.com/multicomp-pro