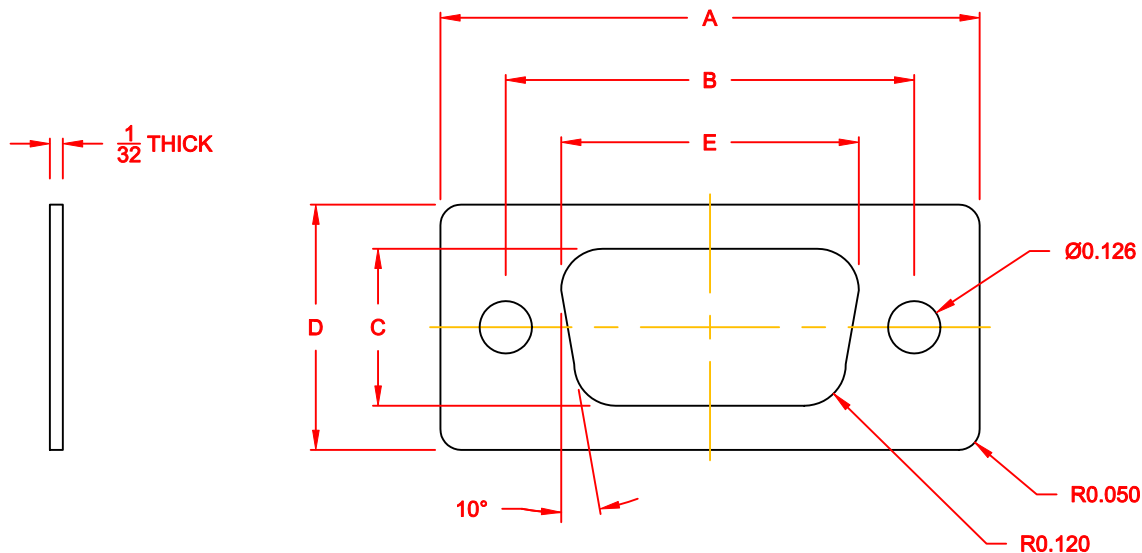


DESCRIPTION: SEALING FLANGE WITH ADHESIVE 1 SIDE ONLY

MATERIAL: 0.031" THICK SILICONE - UL94-HB WITH ADHESIVE ONE SIDE ONLY



SFP67SS YY
 SERIES _____
 SHELL SIZE _____

SHELL SIZE	DIMENSIONS				
	A	B	C	D	E
9	1.299	0.984	0.378	0.591	0.717
	32.99	24.99	9.60	15.01	18.21
15	1.614	1.311	0.378	0.591	1.039
	41.00	33.30	9.60	15.01	26.39
25	2.165	1.850	0.378	0.591	1.583
	54.99	46.99	9.60	15.01	40.21

DO NOT SCALE FROM DRAWING



THESE DRAWINGS AND SPECIFICATIONS ARE THE PROPERTY OF NorComp AND SHALL NOT BE REPRODUCED, COPIED OR USED AS THE BASIS FOR THE MANUFACTURE OR SALE OF APPARATUS WITHOUT WRITTEN PERMISSION.

DRAWN: P. JENKINS		DATE: 12-10-10	
CHECKED:		DATE:	
SCALE: 2:1	SHEET 1	OF 1	REV 1
DWG NO.		SFP67SSYY	

RoHS COMPLIANT

NorComp