

**Product number CA11475_TYRA2-S**

Family	Tyra2	FWHM	20 degrees
Type	RefAssy	Efficiency	89 %
LED	MP-L	cd/lm	(simulated) 0.000
Color	Metal	Gerber File	Available
Diameter	40 mm		
Height	24.3 mm		
Style	Round		
Optic Material	PC		
Holder Material	-		
Fastening	Pin, tape		
Status	On production		

Product number CA11476_TYRA2-M

Family	Tyra2	FWHM	32 degrees
Type	RefAssy	Efficiency	90 %
LED	MP-L	cd/lm	(simulated) 0.000
Color	Metal	Gerber File	Available
Diameter	40 mm		
Height	24.3 mm		
Style	Round		
Optic Material	PC		
Holder Material	-		
Fastening	Pin, tape		
Status	On production		

Product number CA11477_TYRA2-W

Family	Tyra2	FWHM	52 degrees
Type	RefAssy	Efficiency	89 %
LED	MP-L	cd/lm	(simulated) 0.000
Color	Metal	Gerber File	Available
Diameter	40 mm		
Height	24.3 mm		
Style	Round		
Optic Material	PC		
Holder Material	-		
Fastening	Pin, tape		
Status	On production		

NOTE: The typical divergence will be changed by different color, chip size and chip position tolerance. The typical total divergence is the full angle measured where the luminous intensity is half of the peak value.



PRODUCT DATASHEET

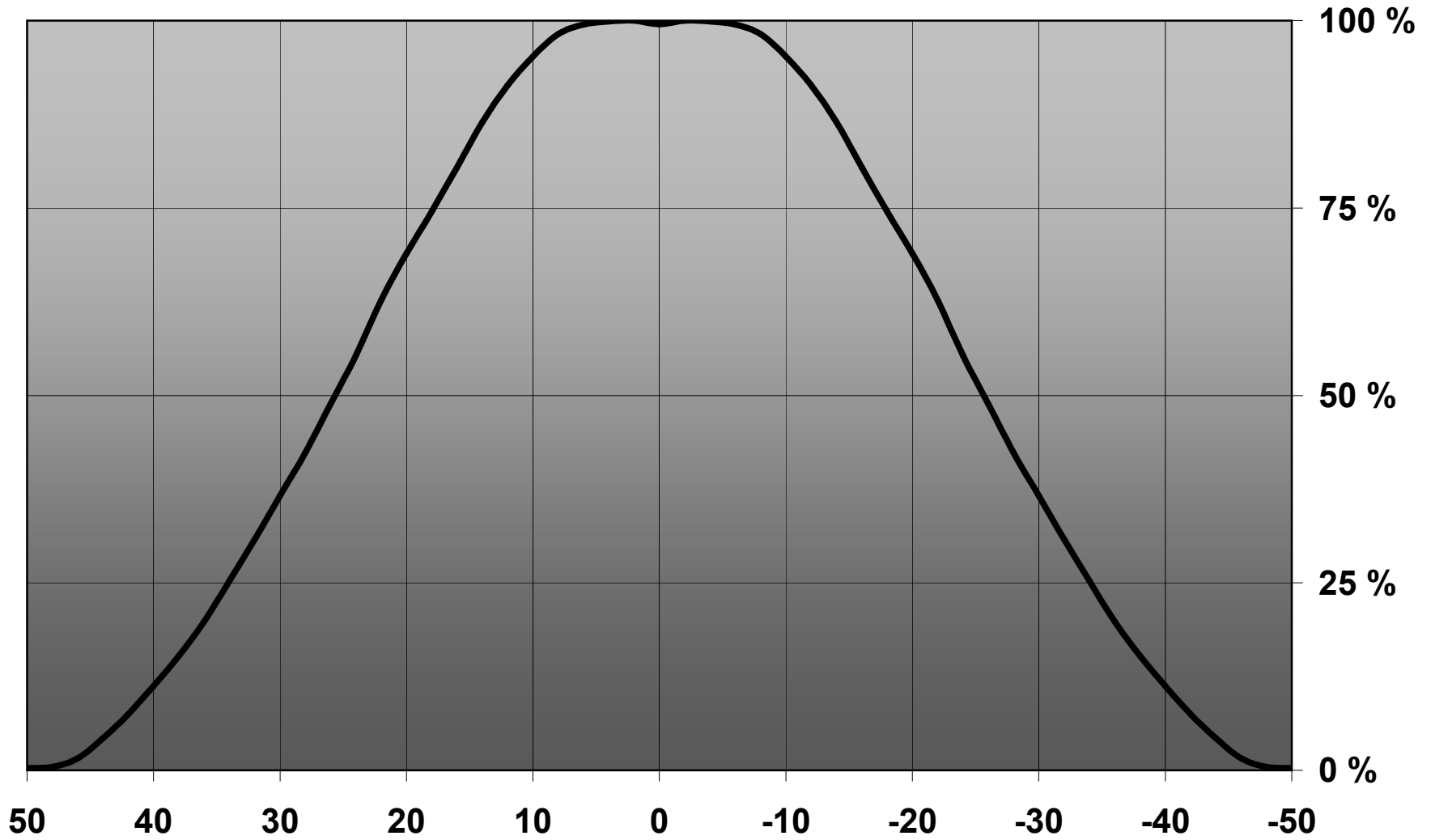
Tyra2 series

last update 25/6/2014

GENERAL INFORMATION

- Product series especially designed & optimized for MP-L series of LEDs.
- Special care taken to make light distribution as uniform as possible.
- Reflector is made of aluminium coated PC (120 degrees of Celcius / 248 degrees of Fahrenheit) with protective lacquer (short term 100 degrees of Celcius / 212 degrees of Fahrenheit).

Relative Intensity of CA11477_Tyra2-W-tape



D

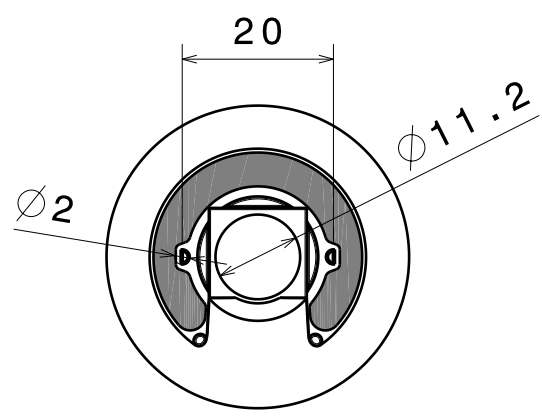
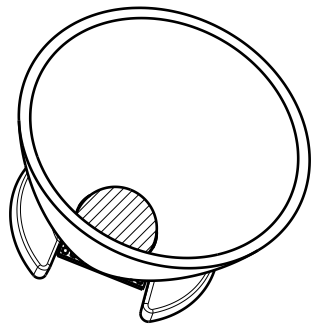
C

B

A

4

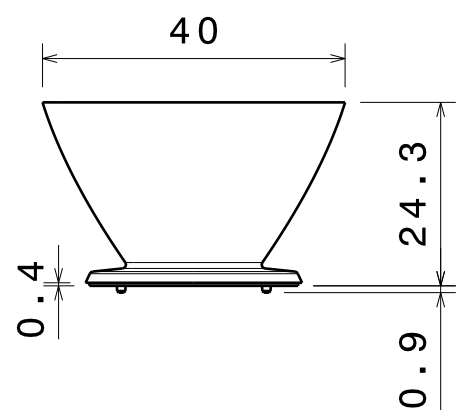
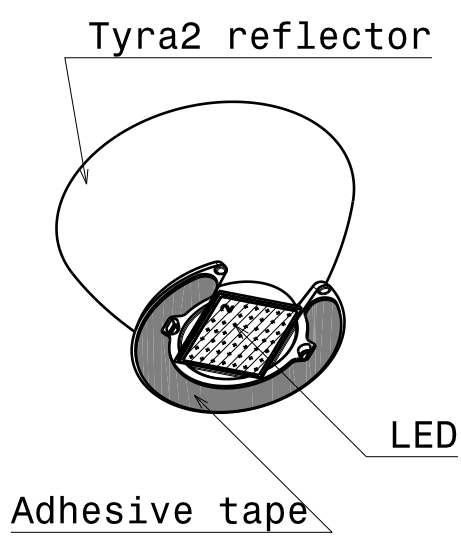
4



Bottom view

3

3



Front view

2

2

Material: PC
 Metal coating with laquering

This drawing is our property.
 It can't be reproduced
 or communicated without
 our written agreement.



Ledil Oy
 Tehdaskatu 13
 FIN-24100 SALO
 Finland

DRAWING TITLE

Datasheet Tyra2 series

1

1

DRAWN BY ol	DATE 08.04.2010
CHECKED BY sn	DATE 08.04.2010
DESIGNED BY ol	DATE 08.04.2010

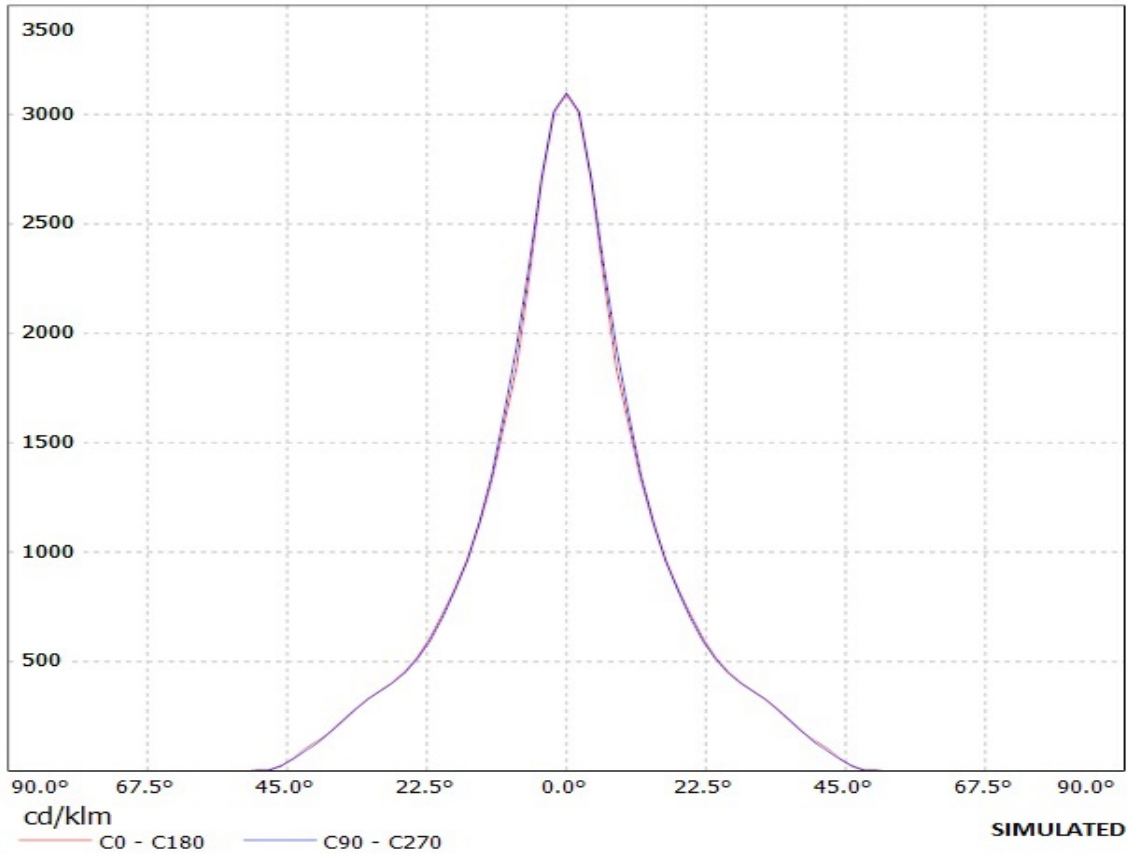
SIZE A4	DRAWING NUMBER	REV 1
SCALE 2:1	WEIGHT (g)	SHEET 1/1

D

A

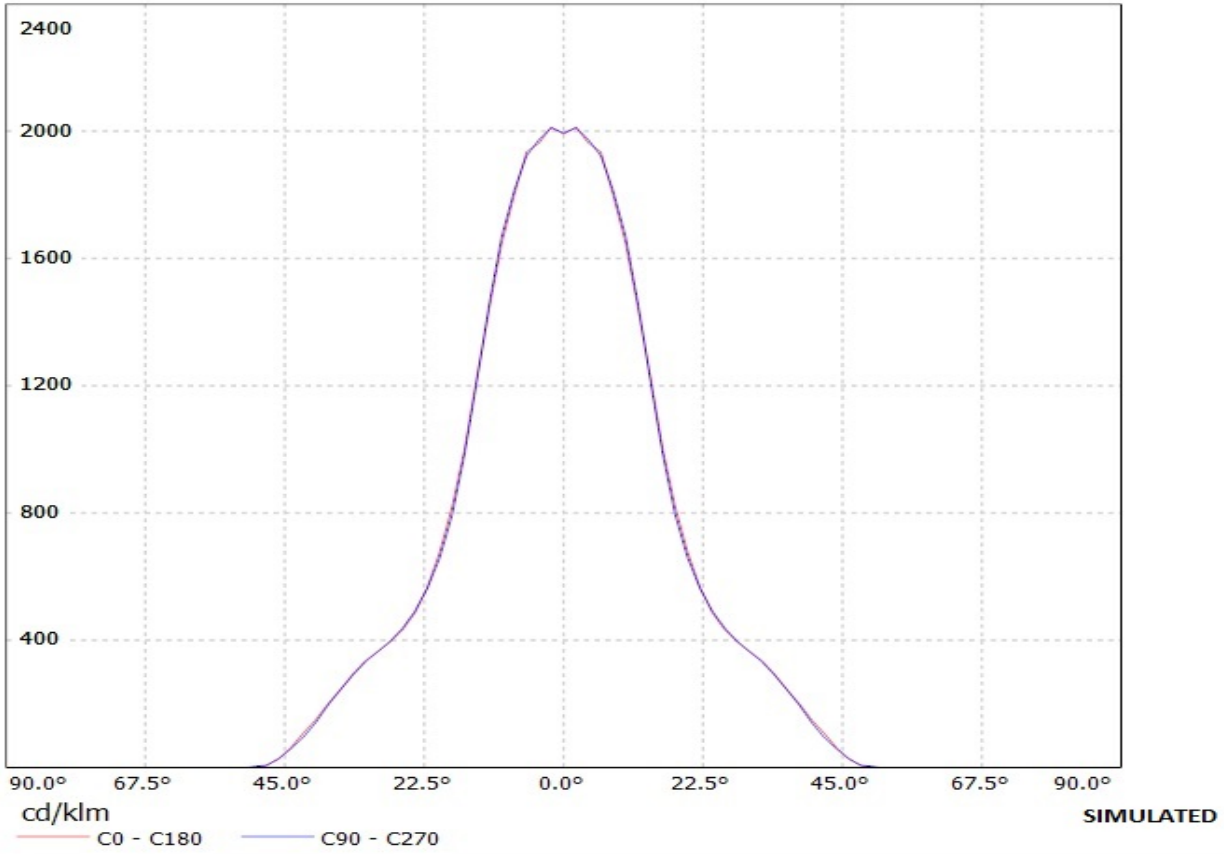
Ledil Oy CA11475_Tyra2-S-tape CA11475_Tyra2-S-tape / LDC (Linear)

Luminaire: Ledil Oy CA11475_Tyra2-S-tape CA11475_Tyra2-S-tape
Lamps: 1 x Cree MPL (White)



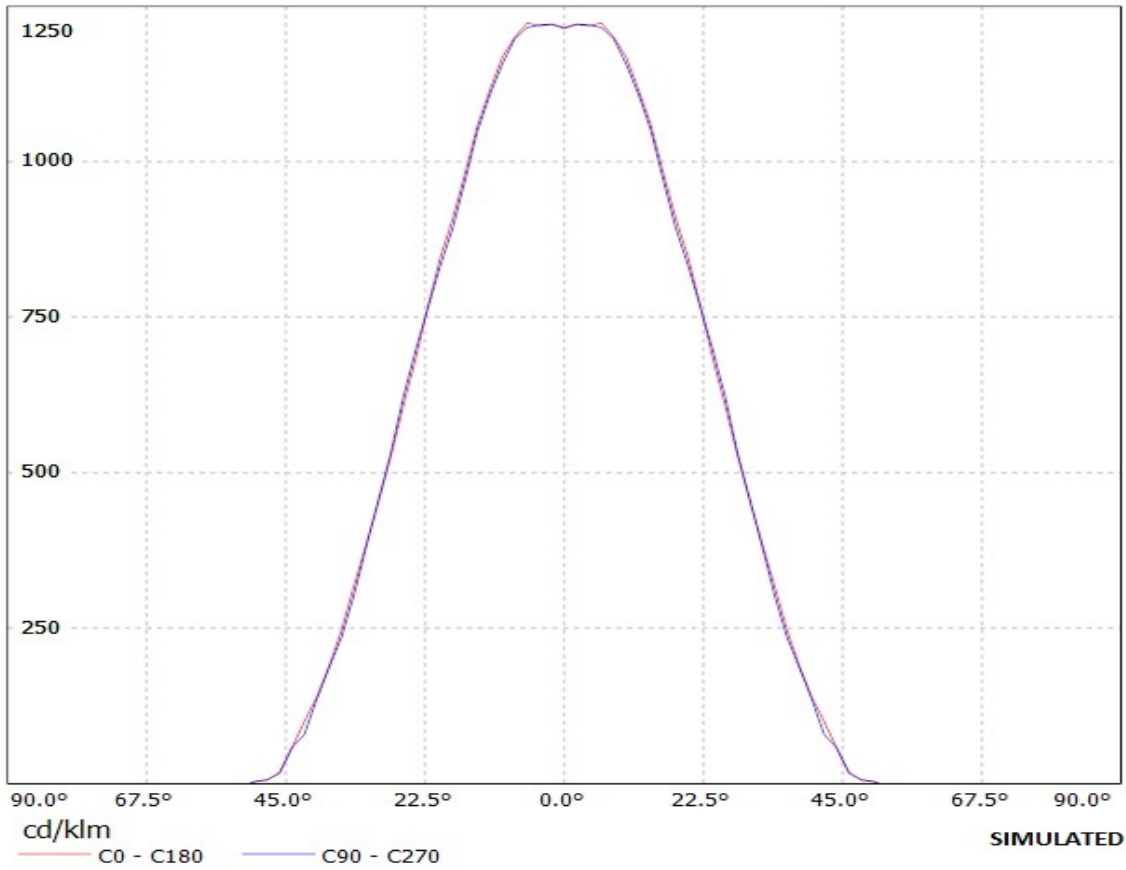
Ledil Oy CA11476_Tyra2-M-tape CA11476_Tyra2-M-tape / LDC (Linear)

Luminaire: Ledil Oy CA11476_Tyra2-M-tape CA11476_Tyra2-M-tape
Lamps: 1 x Cree MPL (White)



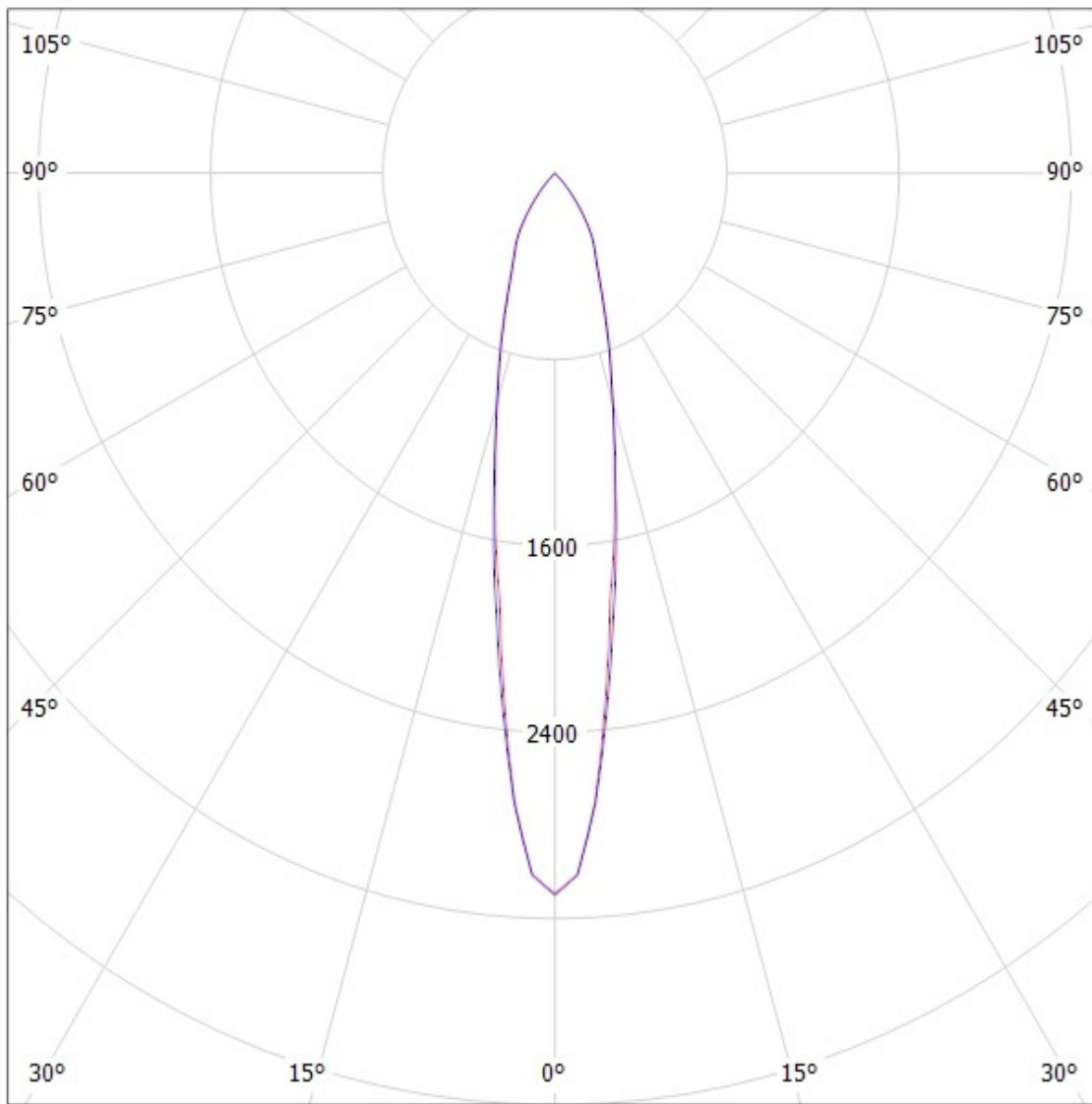
Ledil Oy CA11477_Tyra2-W-tape CA11477_Tyra2-W-tape / LDC (Linear)

Luminaire: Ledil Oy CA11477_Tyra2-W-tape CA11477_Tyra2-W-tape
Lamps: 1 x Cree MPL (White)



Ledil Oy CA11475_Tyra2-S-tape CA11475_Tyra2-S-tape / LDC (Polar)

Luminaire: Ledil Oy CA11475_Tyra2-S-tape CA11475_Tyra2-S-tape
Lamps: 1 x Cree MPL (White)



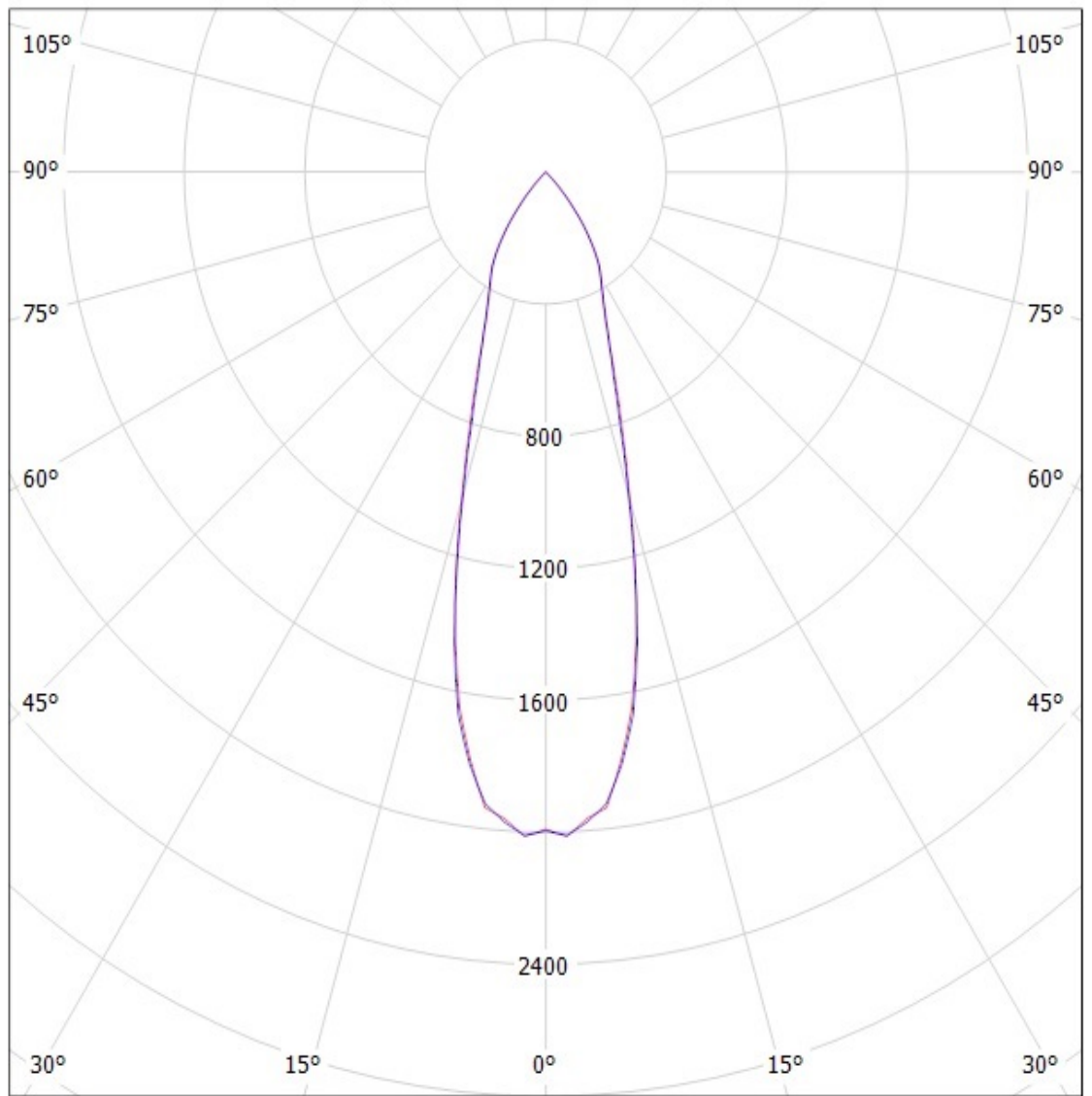
cd/klm

— C0 - C180 — C90 - C270

SIMULATED

Ledil Oy CA11476_Tyra2-M-tape CA11476_Tyra2-M-tape / LDC (Polar)

Luminaire: Ledil Oy CA11476_Tyra2-M-tape CA11476_Tyra2-M-tape
Lamps: 1 x Cree MPL (White)



cd/klm

SIMULATED

— C0 - C180 — C90 - C270

Ledil Oy CA11477_Tyra2-W-tape CA11477_Tyra2-W-tape / LDC (Polar)

Luminaire: Ledil Oy CA11477_Tyra2-W-tape CA11477_Tyra2-W-tape
Lamps: 1 x Cree MPL (White)

