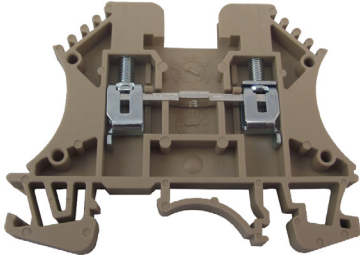


RoHS
Compliant



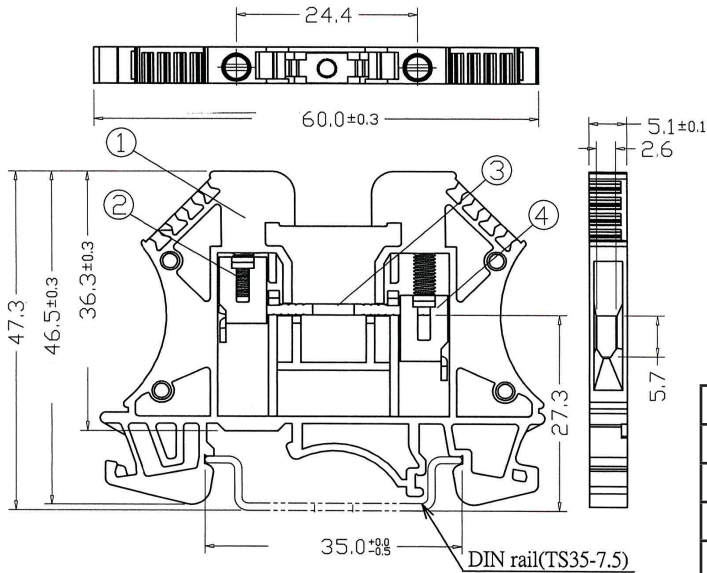
Specifications

	IEC	CSA	UL	CUL
Rated Voltage	800V	600V	600V	600V
Rated Current	24A	20A	24A	24A
Conductor Cross Section	0.5mm ² ~ 2.5mm ²	-	-	-
Wire Range	-	22AWG ~10AWG	22AWG ~10AWG	22AWG ~10AWG
Insulating Material	: PA66			
Flammability Rating According to UL 94	: V0			
Colour	: Beige			
Continuous Operating Temperature	: -40°C to +105°C			
Number of Connections	: 2			
Potentials	: 1			
Nominal Cross Section	: 5mm			
Installation Advice	: Rail Mounting			
Rated Surge Voltage	: 8Kv			
Degree of Pollution	: 3			
Over Voltage Category	: III			
Insulating Material Group	: I			
Nominal Current IN	: 24A			
Nominal Voltage UN	: 600V			
Open Side Panel	: Yes			

Connection Data

Connection	: 1
Connection Method	: Screw Connection
Screw Thread	: M3
Rated Torque	: 0.8N.m
Stripping Length	: 10mm ~ 12mm
Wire connection cross-section, stranded conductor with wire-end ferrules	: 2.5mm ²
Blade Size	: 0.6mm×3.5mm

Diagram



	Material		Plating/Finish
1	Insulating Body	PA66	-
2	Terminal Screw	Steel M3	Zinc
3	Terminal	Brass	Tin Plated
4	Cage Clamp	Steel	Zinc

Part Number Table

Description	Part Number
DIN Rail Mount Terminal Block, 2 Ways, 2.5mm ² , Screw, 24A	CDU2.5

Dimensions : Millimetres

Important Notice : This data sheet and its contents (the "Information") belong to the members of the AVNET group of companies (the "Group") or are licensed to it. No licence is granted for the use of it other than for information purposes in connection with the products to which it relates. No licence of any intellectual property rights is granted. The Information is subject to change without notice and replaces all data sheets previously supplied. The Information supplied is believed to be accurate but the Group assumes no responsibility for its accuracy or completeness, any error in or omission from it or for any use made of it. Users of this data sheet should check for themselves the Information and the suitability of the products for their purpose and not make any assumptions based on information included or omitted. Liability for loss or damage resulting from any reliance on the Information or use of it (including liability resulting from negligence or where the Group was aware of the possibility of such loss or damage arising) is excluded. This will not operate to limit or restrict the Group's liability for death or personal injury resulting from its negligence. Multicomp Pro is the registered trademark of Premier Farnell Limited 2019.