



GE  
Lighting



5  
kWh/1000h

A+  
energy class

86  
lumens/watt

## GE Start GU10

LED4.5/GU10/840/100-240V/35/BX 1/8

# 34942

## Product information

This new entry level range of highly competitive LED GU10 products consume only 3W and 4.5W respectively and offer a fantastic energy saving alternative to 35W and 50W Halogen GU10 lamps.

## Application areas



Home



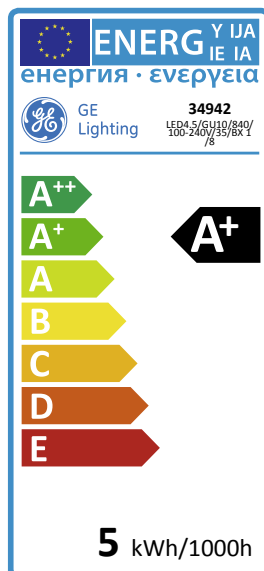
Retail



Office



Hospitality



## Product data

Cap/Base	GU10
Bulb Shape	PAR
Bulb Finish	Silver
Bulb Diameter [mm]	50
Bulb maximum overall diameter [mm]	50.2
Maximum Overall Length [mm]	57
Net weight per piece [g]	30
Gross weight per piece [g]	63
Brand	General Electric (GE)

## Performance data

Colour Rendering Index (CRI) [Ra]	80
Nominal correlated colour temperature (CCT) [K]	4000
Colour consistency	6 steps
Nominal beam angle [°]	35
Rated beam angle [°]	35
Nominal center beam candlepower (CBCP) [cd]	800
Rated peak intensity in [Cd]	800
Nominal lumens [lm]	385
Nominal useful lumens [lm]	400
Useful lumens (at 90° cone) [lm]	385
Rated useful lumens [lm]	400
Energy efficiency class (EEC)	A+
Rated life L70/B50 [h]	15000
Weighted energy consumption [kWh/1000h]	4.5

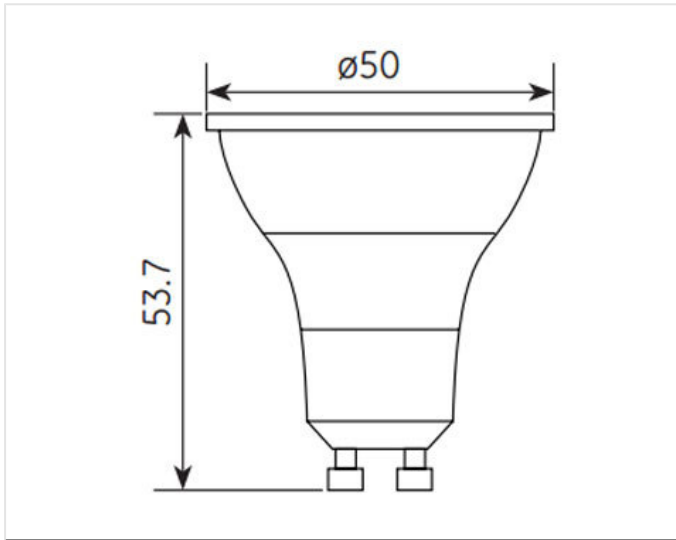
## Electrical data

Nominal power [W]	4.5
Rated power [W]	4.5
Nominal lamp power factor	0.5
Nominal lamp voltage [V]	230
Lamp Current [A]	65mA@120V/ 40mA@230V
Operating Temperature (MAX) [°C]	40
Run-up time (sec)	<1s
Starting time (sec)	<0.2s
Number of switching cycles	25000
Dimming Capability	No

## Logistic data

DUN Code	10043168349427
EAN Code	0043168349420
Pack Quantity	8
Inner pack type	HANGING BOX
Outer pack type	TRAY OUTER
Layer quantity	216 EUR, 312 UK
Layer quantity EUR	216
Layer quantity UK	312
Pallet quantity EUR (PC)	2808
Pallet quantity UK (PC)	4056
Outer case size	230x118x70 mm
Product status	Available

## Technical drawing



## Downloads & Links

[Go to the catalog site \(HTTP\)](#)

[LED Lighting Solutions - Catalogue \(PDF\)](#)

[Lighting design tools & calculators \(HTTP\)](#)

[Datasheets \(HTTP\)](#)

[High-res images / Technical drawings \(HTTP\)](#)

[Certificate for the Quality Management System of GE Lighting EMEA \(PDF\)](#)

[Certificate for the Environmental Management System of GE Lighting EMEA \(PDF\)](#)