

cable connector for circuit breaker 3RV1011 with screw terminal (multi-unit packaging)

suitability for use	circuit breaker 3RV1
<b>General technical data</b>	
size of the circuit-breaker	S00
Substance Prohibition (Date)	07/01/2006
number of poles for main current circuit	3
operational current rated value	12 A
<b>Safety related data</b>	
protection class IP on the front according to IEC 60529	IP20
touch protection on the front according to IEC 60529	finger-safe, for vertical contact from the front
<b>Connections/ Terminals</b>	
type of electrical connection for main current circuit	plug-in without terminals

<b>Approvals Certificates</b>		
General Product Approval	Declaration of Conformity	Test Certificates



[Confirmation](#)



[Type Test Certificates/Test Report](#)

Marine / Shipping	other
   	<p><a href="#">Confirmation</a></p> 

**Environment**

[Environmental Confirmations](#)

**Further information**

Siemens has decided to exit the Russian market (see here).  
<https://press.siemens.com/global/en/pressrelease/siemens-wind-down-russian-business>

Siemens is working on the renewal of the current EAC certificates.

Please contact your local Siemens office on the status of validity of the EAC certification if you intend to import or offer to supply these products to an EAC relevant market (other than the sanctioned EAEU member states Russia or Belarus).

Information on the packaging

<https://support.industry.siemens.com/cs/ww/en/view/109813875>

Information- and Downloadcenter (Catalogs, Brochures,...)

<https://www.siemens.com/ic10>

Industry Mall (Online ordering system)

<https://mall.industry.siemens.com/mall/en/en/Catalog/product?mlfb=3RV1917-5C>

Cax online generator

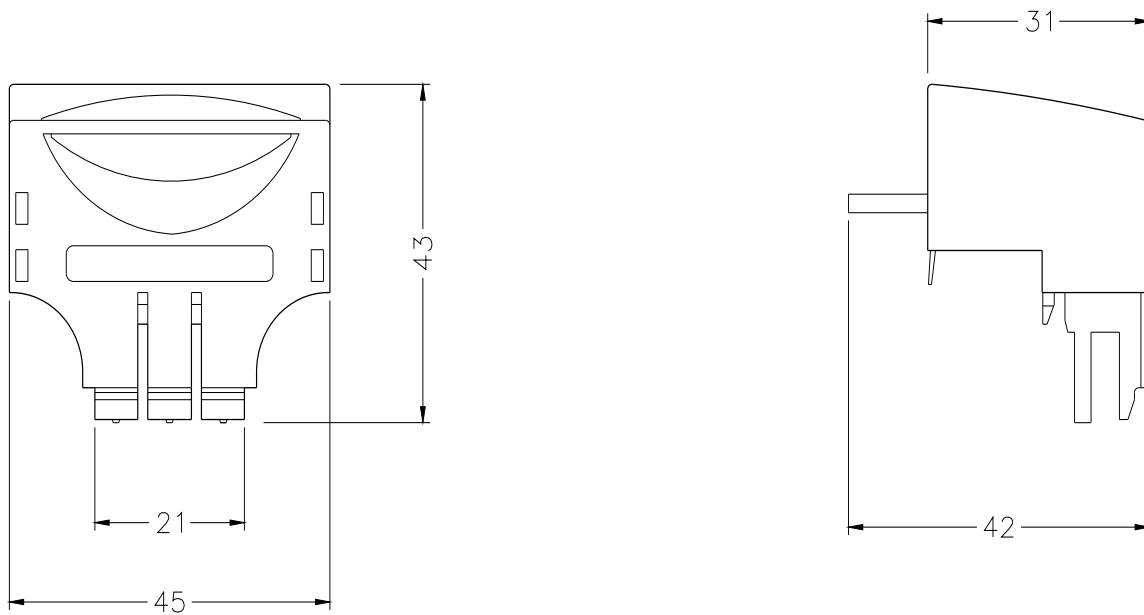
<http://support.automation.siemens.com/WWW/CAXorder/default.aspx?lang=en&mlfb=3RV1917-5C>

Service&Support (Manuals, Certificates, Characteristics, FAQs,...)

<https://support.industry.siemens.com/cs/ww/en/ps/3RV1917-5C>

Image database (product images, 2D dimension drawings, 3D models, device circuit diagrams, EPLAN macros, ...)

[http://www.automation.siemens.com/bilddb/cax\\_de.aspx?mlfb=3RV1917-5C&lang=en](http://www.automation.siemens.com/bilddb/cax_de.aspx?mlfb=3RV1917-5C&lang=en)



last modified:

3/22/2022 