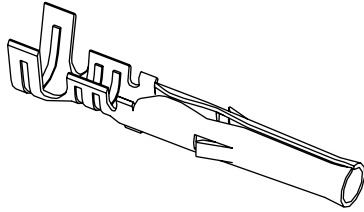


1.57mm (.062") Pin Diameter .062" Pin and Socket Female Crimp Terminal

Standard .062"



Features and Benefits

- Circular contact design for simple insertion
- Can be used with plug or receptacle housing
- Accommodates 18 to 30 gauge wire

Reference Information

Product Specification: PS-02-06
UL File No.: E29179
CSA File No.: LR19980

Electrical

Current: 5.0A
Contact Resistance: 3.2 milliohms max.

Mechanical

Mating: 15.75N max.
Mating Cycles: Tin—25 cycles max.
Gold—50 cycles max.

Physical

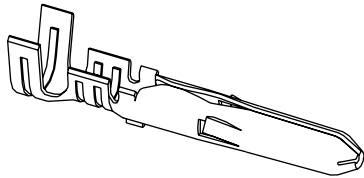
Contact: Brass or Phosphor Bronze
Plating: Tin, overall Gold or select Gold
Wire Size: See chart and product specification

Type	Plating	Crimp Wire Size	Insulation Diameter	Series	Order No.		Lead-free
					Chain	Loose	
Standard Brass .008"	Tin	18-24	1.52/3.05 (.060/.120)	1561	02-06-1101	02-06-1103	Yes
		24-30	1.02/2.29 (.040/.090)	1855	02-06-1131	02-06-1132	
	15µ" Gold	18-24	1.52/3.05 (.060/.120)	1561	02-06-5100	02-06-5103	
		24-30	1.02/2.29 (.040/.090)	1855	02-06-5130	02-06-5135	
	30µ" Gold	18-24	1.52/3.05 (.060/.120)	1561	02-06-5101	02-06-5102	
		24-30	1.02/2.29 (.040/.090)	1855	02-06-5138	02-06-5139	
	30µ" Gold Contact Tin Crimp	18-24	1.52/3.05 (.060/.120)	1561	02-06-5108	02-06-5109	
		24-30	1.02/2.29 (.040/.090)	1855	02-06-5147	02-06-5148	
Phos-Bronze	Tin .006"	18-24	1.52/3.05 (.060/.120)	4529	02-06-1104	02-06-1105	
		18-24	1.52/3.05 (.060/.120)	1787	02-06-1201	02-06-1202	
	Tin .008"	18-24	1.52/3.05 (.060/.120)	2189	02-06-1231	02-06-1232	
		24-30	1.02/2.29 (.040/.090)	2189	02-06-1231	02-06-1232	
	.006" Gold (15µ")	18-24	1.52/3.05 (.060/.120)	4529	02-06-5207	02-06-5208	
		.008" Gold (15µ")	18-24	1.52/3.05 (.060/.120)	1787	02-06-5201	02-06-5202
.008" PC Tail Brass for Standard .062" Housings Only	Tin			1779		02-06-7103	
	30µ" Gold Tin Tail Area			1779		02-06-7104	

Note: .006 Phosphor Bronze stock recommended for versions 15 circuits and larger

1.57mm (.062") Pin Diameter .062" Pin and Socket Male Crimp Terminal

Standard .062"



Features and Benefits

- Circular contact design for simple insertion
- Can be used with plug or receptacle housing
- Accommodates 18 to 30 gauge wire

Reference Information

Product Specification: PS-02-06
UL File No.: E29179
CSA File No.: LR19980

Electrical

Current: 5.0 A
Contact Resistance: 3.2 milliohms max.

Mechanical

Mating Force: 15.57N max.
Mating Cycles: Tin—25 cycles max.
Gold—50 cycles max.

Physical

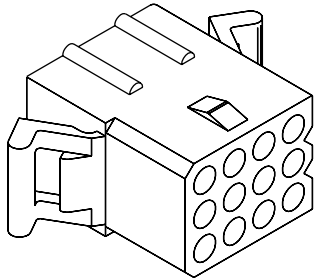
Contact: Brass or Phosphor Bronze
Plating: Tin or Gold
Wire Size: See chart and product specification

Type	Plating	Crimp Wire Size	Insulation Diameter	Series	Order No.		Lead-free
					Chain	Loose	
Standard Brass .008"	Tin	18-24	1.52/3.05 (.060/.120)	1560	02-06-2101	02-06-2103	Yes
		24-30	1.02/2.29 (.040/.090)	1854	02-06-2131	02-06-2132	
	15µ" Gold	18-24	1.52/3.05 (.060/.120)	1560	02-06-6100	02-06-6103	
		24-30	1.02/2.29 (.040/.090)	1854	02-06-6130	02-06-6135	
	30µ" Gold	18-24	1.52/3.05 (.060/.120)	1560	02-06-6101	02-06-6102	
		24-30	1.02/2.29 (.040/.090)	1854	02-06-6138	02-06-6139	
	30µ" Gold Contact Tin Crimp	18-24	1.52/3.05 (.060/.120)	1560	02-06-6118	02-06-6119	
		24-30	1.02/2.29 (.040/.090)	1854	02-06-6143	02-06-6144	
.008" Phosphor Bronze	Tin	18-24	1.52/3.05 (.060/.120)	1786	02-06-2201	02-06-2202	
	Gold (15µ")	18-24	1.52/3.05 (.060/.120)	1786	02-06-6201	02-06-6202	
.008" PC Tail Brass for Standard .062" Housings Only	Tin			1778	02-06-8103		
	30µ" Gold Tin Tail Area			1778		02-06-6122	

Note: .006 Phosphor Bronze stock recommended for versions 15 circuits and larger

3.68mm (.145") Pitch .062" Pin and Socket Crimp Terminal Housing Receptacle

Standard .062"



Features and Benefits

- Friction lock
- Panel and PCB mountable
- Polarized housing assures proper mating
- Male and female terminals may be used in receptacle housing

Reference Information

Product Specification: PS-02-06
UL File No.: E29179
CSA File No.: LR19980
Mates With: Standard .062" plug
Use With: Standard .062" terminal

Electrical

Voltage: 250V
Current: See chart

Mechanical

Contact Retention to Housing: 88.96N min.

Physical

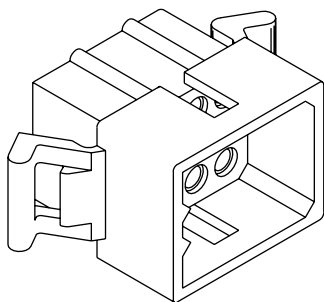
Housing: Nylon 6/6, UL 94V-2

Circuits	Series	Order No.		Amperes per Circuit
		Panel Mount	Free Hanging	
1	1625	N/A	03-06-1011	5.0
2		03-06-1022	03-06-1023	
3		03-06-1038	03-06-1032	
4 (1 x 4)		03-06-1041	03-06-1042	
4 (2 x 2)	2004	03-06-1043	03-06-1044	
5		03-06-1055	03-06-1056	
6	1625	03-06-1061	03-06-1062	
9		03-06-1091	03-06-1092	
12		03-06-1121	03-06-1122	
15		03-06-6155	03-06-1152	
24		03-06-1241	N/A	
36*		1772	03-06-1361	03-06-1362

* 36-circuit receptacle is on a 4.19mm (.165") pitch

3.68mm (.145") Pitch .062" Pin and Socket Crimp Terminal Housing Plug

Standard .062"



Features and Benefits

- Friction lock
- Panel and PCB mountable
- 1-piece strain relief available, 41316 series
- Polarized housing assures proper mating
- Male and female terminals may be used in plug housing

Reference Information

Product Specification: PS-02-06
UL File No.: E29179
CSA File No.: LR19980
Mates With: Standard .062" receptacle
Use With: Standard .062" terminal

Electrical

Voltage: 250V
Current: See chart

Mechanical

Contact Retention to Housing: 88.96N min.

Physical

Housing: Nylon 6/6, UL 94V-2

Circuits	Series	Order No.		Amperes per Circuit
		Panel Mount	Free Hanging	
1	1625	N/A	03-06-2011	5.0
2		03-06-2024	03-06-2023	
3		03-06-2033	03-06-2032	
4 (1 x 4)		03-06-2041	03-06-2042	
4 (2 x 2)	2004	03-06-2043	03-06-2044	
5		03-06-2054	03-06-2055	
6	1625	03-06-2062	03-06-2061	
9		03-06-2091	03-06-2092	
12		03-06-2121	03-06-2122	
15		03-06-2151	03-06-2152	
24		03-06-2241	03-06-2242	
36*		1772	03-06-2361	03-06-2362

* 36-circuit plug is on a 4.19mm (.165") pitch