

注記NOTES

1.使用材料
MATERIAL
ハウジング: 46ナイロン、ガラス充填、UL94V-0、白
HOUSING: PA46, GLASS FILLED, UL94V-0, WHITE
アクチュエータ: ポリフェニレンサルファイド (PPS)、
ガラス充填、UL94V-0、黒
ACTUATOR: POLYPHENYLENE SULFIDE, GLASS FILLED, UL94V-0, BLACK
ターミナル: リン青銅、ニッケル下地金めっき (t=0.2)
TERMINAL: PHOSPHOR BRONZE, GOLD OVER NICKEL PLATING
金具: リン青銅、ニッケル下地金めっき (t=0.2)
FITTING NAIL: PHOSPHOR BRONZE, TIN OVER NICKEL PLATING

2.エンボステーブ梱包時は、アクチュエータがロックした状態になります。
IN THE PACKAGE, ACTUATOR OF PART NO.52745-**59 SHOULD BE LOCKED.

3.ソルダーテール半田付け面のズレ量、及び金具半田付け面のズレ量は、基準面Hに対して上方向に0.1MAXIMUM、下方向0.15MAXIMUMとする。
MISALIGNMENT OF SOLDER TAILS AND FITTING NAILS FROM DATUM-H.
UPPER DIRECTION: 0.1 MAXIMUM
LOWER DIRECTION: 0.15 MAXIMUM

4.偶数極に適用
APPLY FOR EVEN CIRCUIT.

5.パターン剥離止め金具
FITTING NAIL FOR PREVENTION OF PEELING OF P.W.B. PATTERN.

6.R0.3は、FPCの胴体部にかからないこと
R0.3 MUST NOT BE OVERLAPED TO PATTERN OF FPC.

7.ELV 及び RoHS 適合品
ELV AND RoHS COMPLIANT

16.1	14.3	10.65	9.5	52745-2097	20
15.6	13.8	10.15	9	52745-1997	19
15.1	13.3	9.65	8.5	52745-1897	18
14.6	12.8	9.15	8	52745-1797	17
14.1	12.3	8.65	7.5	52745-1697	16
13.6	11.8	8.15	7	52745-1597	15
13.1	11.3	7.65	6.5	52745-1497	14
12.6	10.8	7.15	6	52745-1397	13
12.1	10.3	6.65	5.5	52745-1297	12
11.6	9.8	6.15	5	52745-1197	11
11.1	9.3	5.65	4.5	52745-1097	10
10.6	8.8	5.15	4	52745-0997	9
10.1	8.3	4.65	3.5	52745-0897	8
9.6	7.8	4.15	3	52745-0797	7
9.1	7.3	3.65	2.5	52745-0697	6
8.1	6.3	2.65	1.5	52745-0497	4
D	C	B	(A)	EMBOSSED PACKAGE	極数
				ORDER No. オーダー番号	CKT.

CONNECTOR SERIES NO. : 52745-**59

GENERAL TOLERANCES (UNLESS SPECIFIED)	
10 UNDER	± 0.2
10 OVER 30 UNDER	± 0.25
30 OVER	± 0.3
ANGULAR	± 3 °
DRAFT WHERE APPLICABLE MUST REMAIN WITHIN DIMENSIONS	

THIS DRAWING CONTAINS INFORMATION THAT IS PROPRIETARY TO MOLEX ELECTRONIC TECHNOLOGIES, LLC AND SHOULD NOT BE USED WITHOUT WRITTEN PERMISSION

CURRENT REV DESC:

EC NO: 600082	DRWN: YCHEN128	2018/02/27
CHK'D: KTAKAHASHI	2018/03/14	
APPR: NUKITA	2018/03/14	
INITIAL REVISION:		
DRWN: KTOJO	2005/02/23	
APPR: NUKITA	2005/03/16	

THIRD ANGLE PROJECTION

DRAWING: A3-SIZE

SERIES: 52745

MATERIAL NUMBER: SEE TABLE

CUSTOMER: GENERAL MARKET

SHEET NUMBER: 1 OF 2

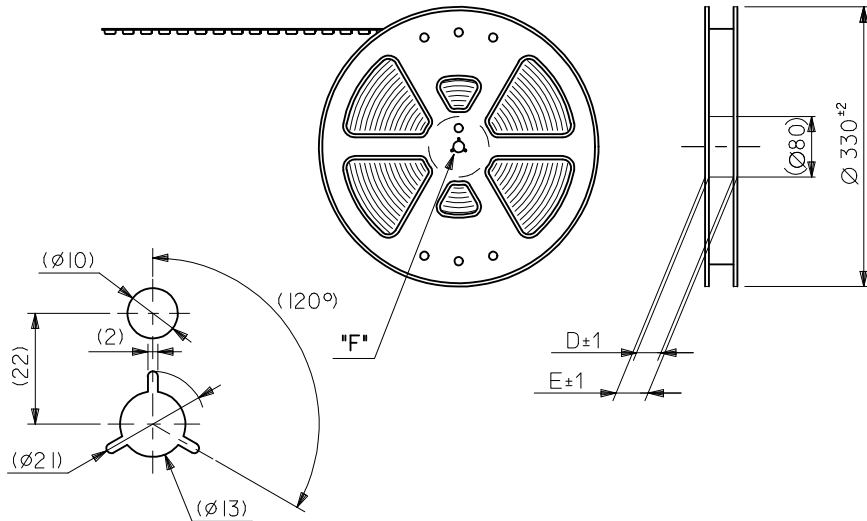
DOCUMENT NUMBER: SD-52745-050

DOC TYPE: PSD

DOC PART: 001

REVISION: D

引き出し方向
←
PULL OUT
DIRECTION



DETAIL "F"

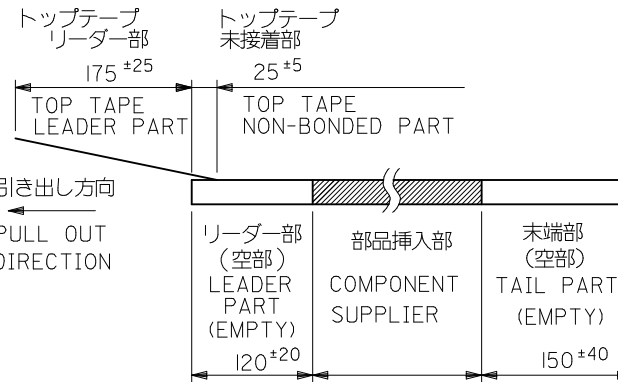
5. 材料 キャリアテープ:ポリプロピレン (PP)
 トップテープ:PET, PE, PEF
 リール:ポリスチレン (PS) <リサイクル材を含む>
 MATERIAL CARRIER TAPE:POLYPROPYLENE
 TOP TAPE:PET,PE,PEF
 REEL:POLYSTYRENE(PS)
 <RECYCLE MATERIAL CONTAINED>

6. 本製品は 52745- **90 の鉛フリー品である。
 THIS PRODUCT IS LEAD FREE OF 52745-**90

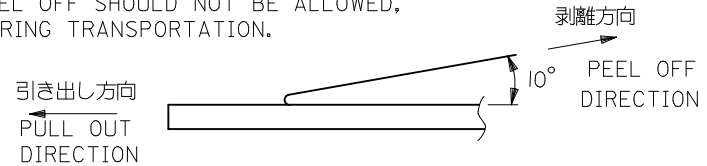
7. 本製品は乾燥剤入り、ハイバリア梱包仕様である。
 THIS PRODUCT IS HIGH BARRIER PACKAGE WITH DESICCANT.

注記 NOTES

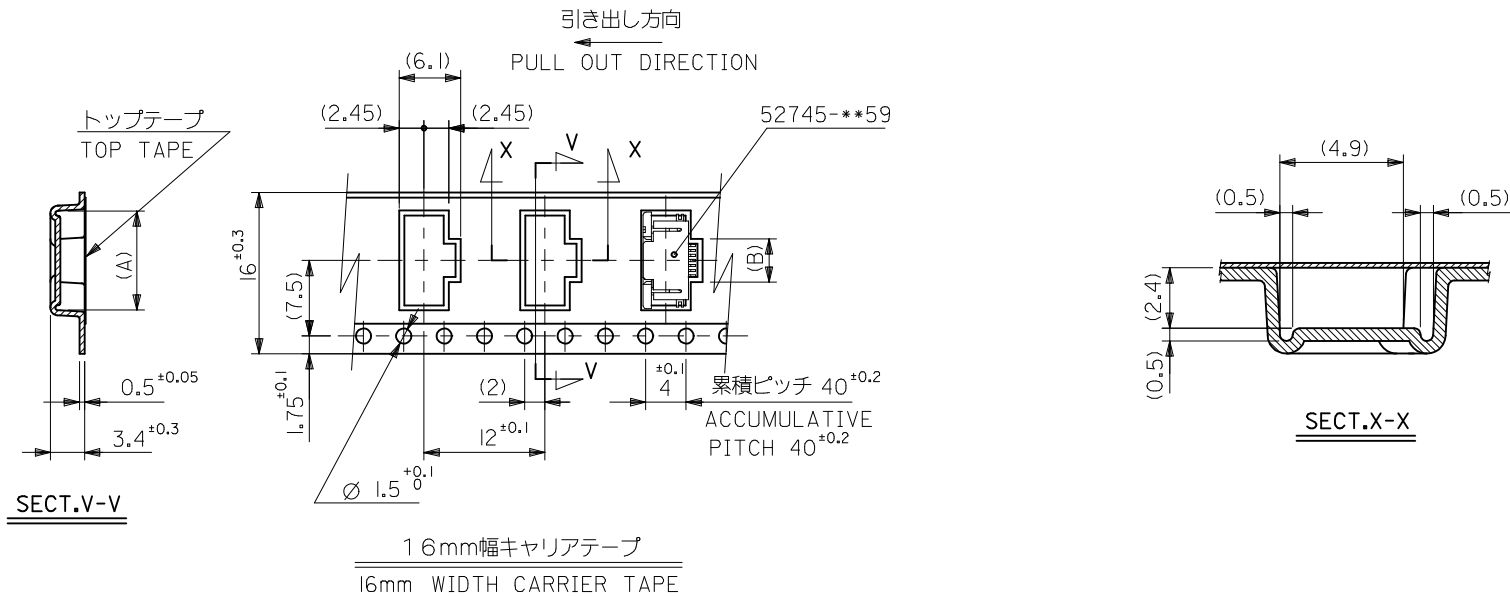
- 製品番号 52745-**59 の梱包状態はアクチュエータがロックした状態とする。
 詳細寸法については図面 SD-52745-050 を参照下さい。
 IN THE PACKAGE,ACTUATOR OF PART NO.52745-**59 SHOULD BE LOCKED RE DETAILED DIMENSIONS,SEE SD-52745-050.
- 梱包数量:1000個/リール
 NUMBER OF CONNECTORS:1000PCS/REEL
- リードテープ長さ LEAD TAPE LENGTH



- トップテープの剥離強度:(剥離方向は下図参照)
 0.1N~1.3N(10gf~130gf)尚、本規格値は、出荷時に適用。
 (但し、輸送時に剥離が発生しない事。)
 PEELING OFF FORCE OF TOP TAPE:
 0.1N~1.3N(10gf~130gf)(PEELING DIRECTION AS SHOWN IN FOLLOWING FIG.)
 THIS REQUIREMENT SHOULD BE APPLIED AT SHIPMENT
 PEEL OFF SHOULD NOT BE ALLOWED,
 DURING TRANSPORTATION.

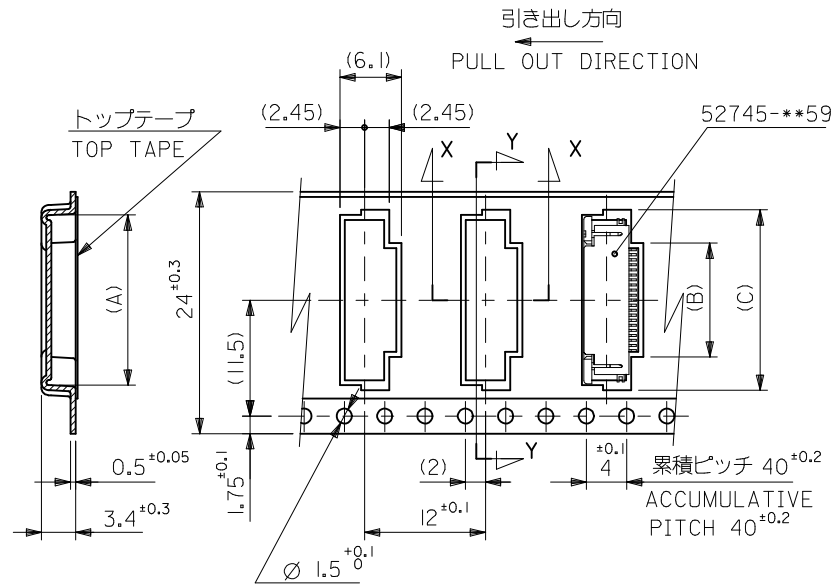


REVISED EC NO: J2009-2061 DRWN:TKON 2009/05/20 CHKD:HMATSUMOTO 2009/05/21 APPR:NUKITA 2009/05/21	DESCRIPTION A	GENERAL TOLERANCES (UNLESS SPECIFIED)		DIMENSION STYLE MM ONLY		SCALE ---	DESIGN UNITS METRIC	52745-**97 MODEL NO.	
		10 UNDER	±---	DRAWN BY M.NABEI	DATE '05/02/14	TITLE 0.5 FPC CONN UPR CONT EMBSTP PKG -LEAD FREE-			
		10 OVER 30 UNDER	±---	CHECKED BY K.TOJO	DATE '05/02/14	MOLEX INCORPORATED			
		30 OVER	±---	APPROVED BY N.UKITA	DATE '05/02/14	MATERIAL NO. SEE TABLE		DOCUMENT NO. SD-52745-051	SHEET NO. 1 OF 3
ANGULAR ±---°		DRAFT WHERE APPLICABLE MUST REMAIN WITHIN DIMENSIONS		THIS DRAWING CONTAINS INFORMATION THAT IS PROPRIETARY TO MOLEX INCORPORATED AND SHOULD NOT BE USED WITHOUT WRITTEN PERMISSION					



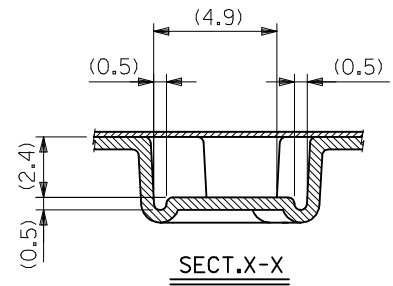
16	21.4	17.4	2.8	8.4	52745-0497	4
キャリアテープ幅 CARRIER TAPE WIDTH	E	D	(B)	(A)	MATERIAL NO.	極数 CIRCUIT

REVISED EC NO.: J2009-2061 DRWN:TKGN 2009/05/20 CHKD:HMATSUMOTO 2009/05/21 APPR:NUKITA 2009/05/21	DESCRIPTION REV	GENERAL TOLERANCES (UNLESS SPECIFIED)		DIMENSION STYLE MM ONLY		SCALE ---	DESIGN UNITS METRIC	THIRD ANGLE PROJECTION	
		10 UNDER	±---	DRAWN BY M. NABEI	DATE '05/02/14	TITLE 0.5 FPC CONN UPR CONT EMBSTP PKG -LEAD FREE-			
		10 OVER 30 UNDER	±---	CHECKED BY K. TOJO	DATE '05/02/14	APPROVED BY N. UKITA			
		30 OVER	±---	APPROVED BY N. UKITA		DATE '05/02/14	DOCUMENT NO. SD-52745-051		SHEET NO. 2 OF 3
ANGULAR ±--- °		DRAFT WHERE APPLICABLE MUST REMAIN WITHIN DIMENSIONS		MATERIAL NO. SEE TABLE		MOLEX INCORPORATED			
SIZE A3		THIS DRAWING CONTAINS INFORMATION THAT IS PROPRIETARY TO MOLEX INCORPORATED AND SHOULD NOT BE USED WITHOUT WRITTEN PERMISSION							



SECT.Y-Y

24mm幅キャリアテープ
24mm WIDTH CARRIER TAPE



SECT.X-X

24	29.4	25.4	17.4	10.8	16.4	52745-2097	20		
			16.9	10.3	15.9	-1997	19		
			16.4	9.8	15.4	-1897	18		
			15.9	9.3	14.9	-1797	17		
			15.4	8.8	14.4	-1697	16		
			14.9	8.3	13.9	-1597	15		
			14.4	7.8	13.4	-1497	14		
			13.9	7.3	12.9	-1397	13		
			13.4	6.8	12.4	-1297	12		
			12.9	6.3	11.9	-1197	11		
			12.4	5.8	11.4	-1097	10		
			11.9	5.3	10.9	-0997	9		
			11.4	4.8	10.4	-0897	8		
10.9	4.3	9.9	-0797	7					
10.4	3.8	9.4	52745-0697	6					
キャリアテープ幅 CARRIER TAPE WIDTH			E	D	(C)	(B)	(A)	MATERIAL NO.	極数 CIRCUIT

REVISED EC NO: J2009-2061 DRWN:TKON 2009/05/20 CHKD:HMATSUMOTO 2009/05/21 APPR:NUKITA 2009/05/21	GENERAL TOLERANCES (UNLESS SPECIFIED)		DIMENSION STYLE MM ONLY		SCALE ---	DESIGN UNITS METRIC	THIRD ANGLE PROJECTION	
	10 UNDER	± ---	DRAWN BY M. NABEI	DATE '05/02/14	TITLE 0.5 FPC CONN UPR CONT EMBSTP PKG -LEAD FREE-			
	10 OVER 30 UNDER	± ---	CHECKED BY K. TOJO	DATE '05/02/14	MOLEX INCORPORATED			
	30 OVER	± ---	APPROVED BY N. UKITA	DATE '05/02/14	DOCUMENT NO. SD-52745-051		SHEET NO. 3 OF 3	
	ANGULAR ± --- ° DRAFT WHERE APPLICABLE MUST REMAIN WITHIN DIMENSIONS		MATERIAL NO. SEE TABLE		THIS DRAWING CONTAINS INFORMATION THAT IS PROPRIETARY TO MOLEX INCORPORATED AND SHOULD NOT BE USED WITHOUT WRITTEN PERMISSION			