

KM Series

- All models can be supplied with colour plate (6 colour variations available) on lower section of front cover.
- Designed also for behind the panel mounting.
- Available from this series are model KM-48, KM-66, KM-86A, KM-106 and KM-118.
- Moving Coil (M.C.) & Moving Iron (M.I.) Types available.
- Scale plate : Standard KYORITSU Brand, Special OEM Brand.

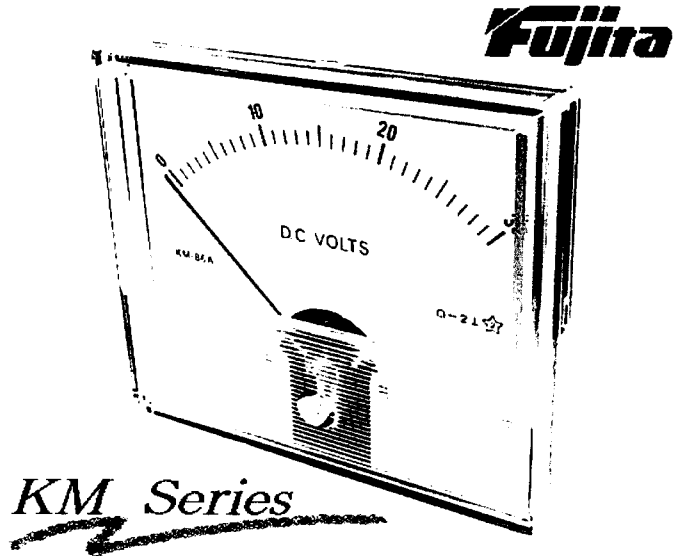
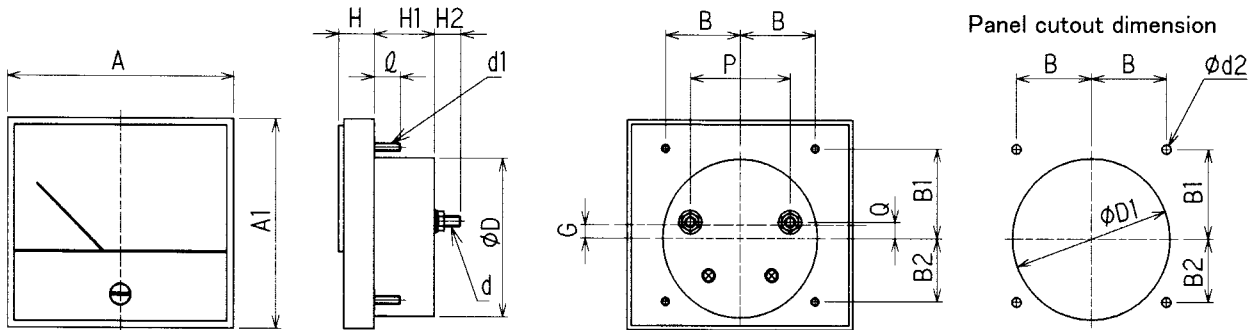


Photo : KM-86A

◆ Model & Type

Type		Model Number	Class	Operating Principle
DC	Ammeters·Volts	KM-48, 66, 86A, 106, 118	2.0	Moving Coil Type
AC	Ammeters·Volts	KM-48, 66, 86A, 106, 118	2.0	Rectifier Type
	Ammeters·Volts	KM-66, 86A, 106	2.0	Moving Iron Type

◆ Dimensions (mm)



Model	A	A1	H	H1		H2	φD	d	d1	l	B	B1	B2	G	Q		P		φD1	φd2
				MC	MI										MC	MI	MC	MI		
KM-48	48	42	10.5	22	10	38	M4	10	M3	16	16	16	0	7	17.5	39	3.3	60	3.5	
KM-66	66	60	13.5	25	15	55	M5							2.5	12.5	24.5	29			56
KM-86A	86	78		16	24	MC 10/15 MI 15	59	MC M4/M5 MI M5	15	M5	44.3	38.9	26.9	6	6	38	38	62	70	
KM-106	106	83	25		15	61	M5	10.5							11			62		
KM-118	118	106	17	25	69	M5		50.8	51.8	38.8	6.5	12.5	13.5	70						

◆ General Descriptions

	KM-48	KM-66	KM-86A	KM-106	KM-118
Front Cover	Transparent acrylic resin				
Case	ABS resin	MC: Hi-impact resin MI: ABS resin	ABS resin	Hi-impact resin	
Scale Plate	Black numerals & division lines on white background				
Pointer Shape & Colour	Knife edge. Black				
Scale Length	31mm	49mm	70mm	73mm	92mm
Pointer Deflection Angle	90°				
Operating Temperature Range	-10°C~+50°C				

◆ DC Ammeters

F.S. Value	Approx. Internal Resistance KM-48, 66, 86A, 106, 118	Shunt				
		KM-48	66, 106	86A, 118		
50 μA	3,200 Ω	Voltage Drop 50mV	IS	IS		
100 μA	1,650 Ω					
200 μA	700 Ω					
500 μA	200 Ω					
1mA	70 Ω					
10mA	3.3 Ω					
20mA					IS	IS
50mA						
100mA						
200mA						
300mA						
500mA						
1A		IS	IS			
2A						
3A						
5A						
10A						
20A						
30A				BMS	BMS	
50A						
						EBS

★ For ranges higher than 50A KM-86A and KM-118 will be supplied with external block shunt.

◆ DC Voltmeters

F.S. Value	Approx. Current Consumption
10V	1mA
15V	
30V	
50V	
100V	
150V	
300V	
500V	

★ For ranges higher than 500V (150V for KM-48 only) meters will be supplied with external multiplier.

◆ AC Voltmeters (Rectifier Type)

F.S. Value	Approx. Current Consumption
15V	1mA
30V	
50V	
100V	
150V	
300V	
500V	

★ For ranges higher than 500V (150V for KM-48 only) meters will be supplied with external multiplier.

★ Calibrated on sinusoidal waveform.

◆ AC Ammeters (Rectifier Type)

F.S. Value	Impedance (at full scale)	
	KM-48,66,86A	KM-106,118
1mA	147 Ω	144 Ω
10mA	814 Ω	865 Ω

★ Calibrated on sinusoidal waveform.

◆ AC Voltmeters (Moving Iron Type)

F.S. Value	Approx. Power Consumption
	KM-66, 86A, 106
150V	1.5VA
200V	2 VA
250V	2.5VA
300V	3 VA

◆ AC Ammeters (Moving Iron Type)

F.S. Value	Approx. Power Consumption
	KM-66, 86A, 106
50mA	0.71VA
500mA	0.47VA
1A	0.43VA
5A	0.6 VA
10A	0.8 VA
15A	0.84VA
30A	1.38VA

★ For ranges higher than 30A (10A for KM-48 only) meters will be supplied with external current transformer.