

# MTF. | Latch clamps

Zinc-plated steel or stainless steel



## STANDARD EXECUTIONS

Material: C10 zinc-plated steel, zinc-plated steel rivets and pulling hook.

- **MTF.T**: with traction pin and matching part.
- **MTF.TF**: with threaded hole, without matching part.
- **MTF.TF-TG**: with eyelet-shaped pulling hook and matching part.
- **MTF.TF-TT**: with T-shaped pulling hook and matching part.
- **MTF.TF-TU**: with eyelet-shaped pulling hook and matching part.

Material: AISI 304 stainless steel.

- **MTF.TX**: with traction pin and matching part.
- **MTF.TFX**: with threaded hole, without matching part.
- **MTF.TFX-TGX**: with eyelet-shaped pulling hook and matching part.
- **MTF.TFX-TTX**: with T-shaped pulling hook and matching part.
- **MTF.TFX-TUX**: with eyelet-shaped pulling hook and matching part.

## HANDLE

Polyurethane, red colour.

## FEATURES AND APPLICATIONS

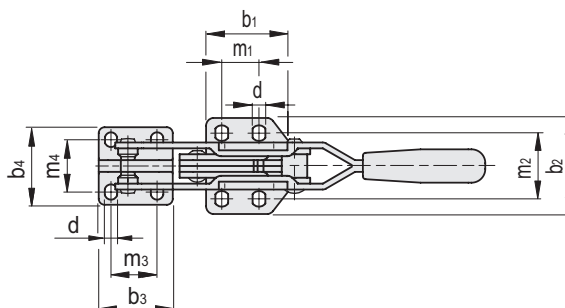
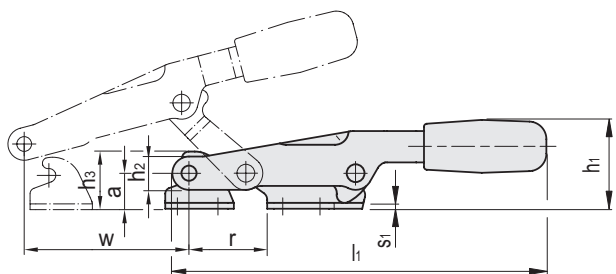
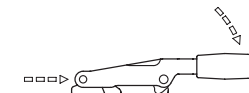
All articulated joints are lubricated with special grease.

MTF clamps ensure tight closing of any cover.

The position of the pulling hook can be adjusted in length according to the specific applications.



MTF.T  
MTF.TX



## MTF.T

Code	Description	a	b1	b2	b3	b4	d	h1	h2	h3	l1	m1	m2	m3	m4	r	s1	Stroke w	FH* [N]	⚖
GG.AL410	MTF.33/T	19	50	49	35	34	6.5	45	17	30	200	19	33.5	19	22.3	40	3	83	5000	422
GG.AL420	MTF.43/T	28	61	63	50	41	8.5	56	20	40.5	248	32	45	31	25.4	51	4	110	10000	811

## MTF.TX

GG.AS430	MTF.33/TX	19	50	49	35	34	6.5	45	17	30	200	19	33.5	19	22.3	40	3	83	5000	422
GG.AS436	MTF.43/TX	28	61	63	50	41	8.5	56	20	40.5	248	32	45	31	25.4	51	4	110	10000	811

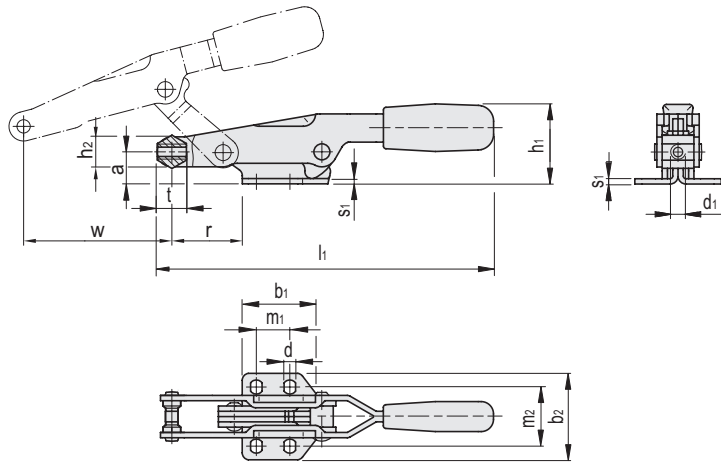


Toggle and fastening clamps

\* FH: holding force.



MTF.TF  
MTF.TFX



MTF.TF

Code	Description	a	b1	b2	d	d1	h1	h2	l1	m1	m2	r	s1	t	Stroke w	FH* [N]	
GG.AL415	MTF.33/TF	19	50	49	6.5	M8	45	17	197	19	33.5	40	3	16	83	5000	394
GG.AL425	MTF.43/TF	28	61	63	8.5	M10	56	20	242	32	45	51	4	19	90	10000	696

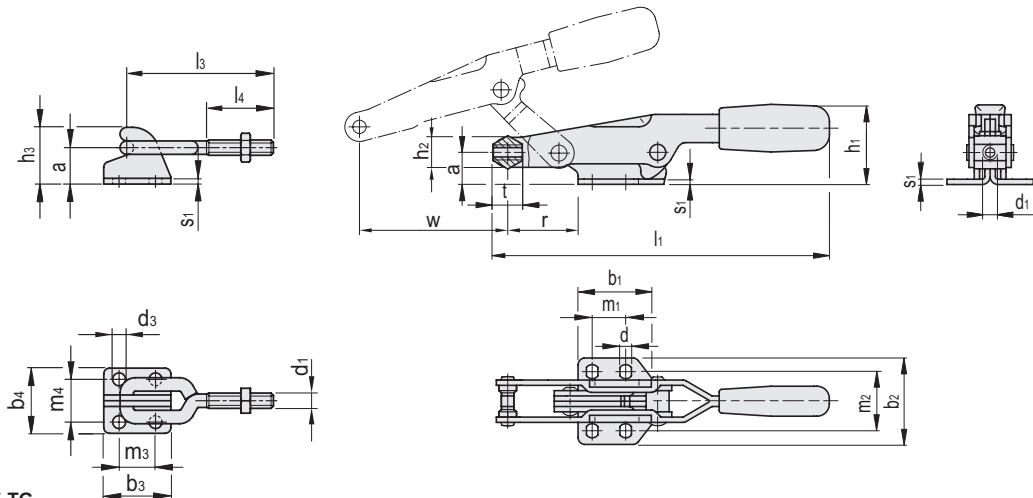
MTF.TFX

INOX STAINLESS STEEL

GG.AS432	MTF.33/TFX	19	50	49	6.5	M8	45	17	197	19	33.5	40	3	16	83	5000	394
GG.AS438	MTF.43/TFX	28	61	63	8.5	M10	56	20	242	32	45	51	4	19	90	10000	696

\* FH: holding force.

MTF.TF-TG  
MTF.TFX-TGX



MTF.TF-TG

Code	Description	a	b1	b2	b3	b4	d	d1	d3	h1	h2	h3	l1	l3	l4	m1	m2	m3	m4	r	s1	t	Stroke w	FH* [N]	
GG.AL416	MTF.33/TF-TG	19	50	49	35	34	6.5	M8	6.7	45	17	30	197	76.5	34	19	33.5	19	22.3	40	3	16	83	5000	484
GG.AL426	MTF.43/TF-TG	28	61	63	50	41	8.5	M10	8.5	56	20	40.5	242	95.5	42	32	45	31	25.4	51	4	19	90	10000	892

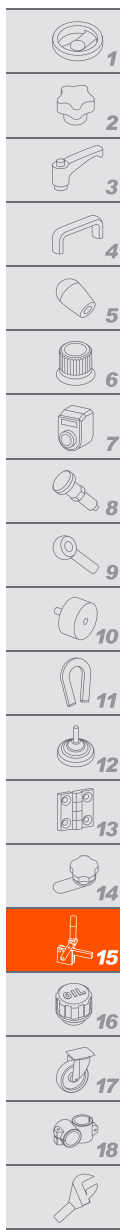
MTF.TFX-TGX

INOX STAINLESS STEEL

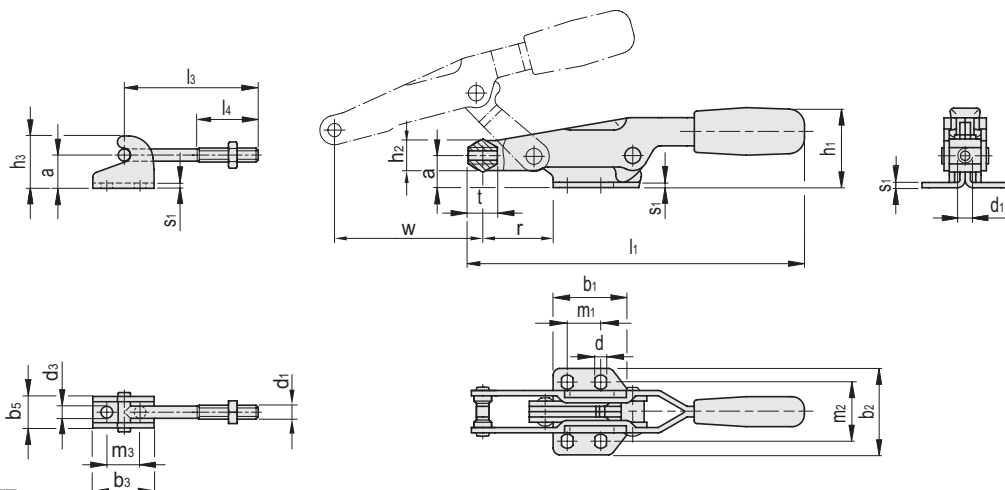
GG.AS427	MTF.33/TFX-TGX	19	50	49	35	34	6.5	M8	6.7	45	17	30	197	76.5	34	19	33.5	19	22.3	40	3	16	83	5000	484
GG.AS433	MTF.43/TFX-TGX	28	61	63	50	41	8.5	M10	8.5	56	20	40.5	242	95.5	42	32	45	31	25.4	51	4	19	90	10000	892

\* FH: holding force.





**MTF.TF-TT**  
**MTF.TFX-TTX**



**MTF.TF-TT**

Code	Description	a	b1	b2	b3	b5	d	d1	d3	h1	h2	h3	l1	l3	l4	m1	m2	m3	r	s1	t	Stroke w [N]	FH* [N]	⚖
GG.AL417	MTF.33/TF-TT	19	50	49	35	18	6.5	M8	6.7	45	17	30	197	76.5	34	19	33.5	19	40	3	16	83	5000	465
GG.AL427	MTF.43/TF-TT	28	61	63	50	26	8.5	M10	8.5	56	20	40.5	242	93	43	32	45	31	51	4	19	90	10000	850

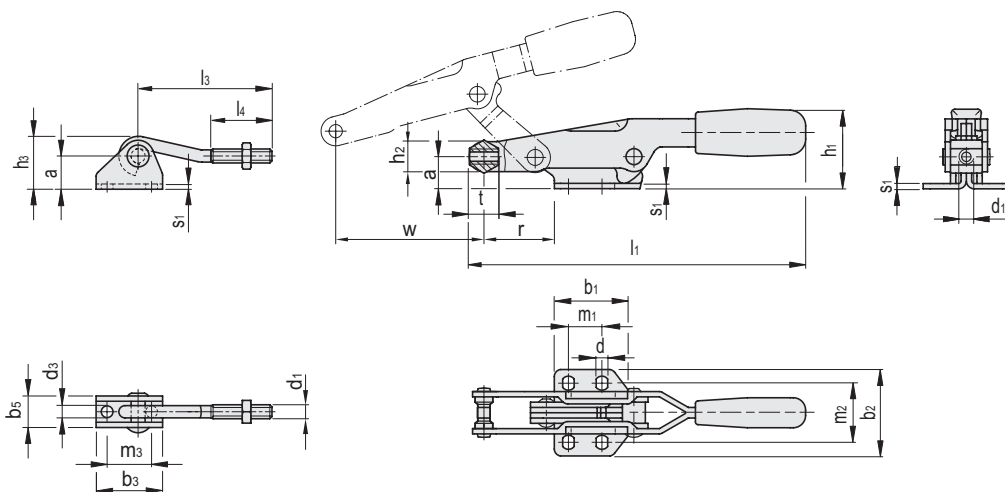
**MTF.TFX-TTX**



GG.AS428	MTF.33/TFX-TTX	19	50	49	35	18	6.5	M8	6.7	45	17	30	197	76.5	34	19	33.5	19	40	3	16	83	5000	465
GG.AS434	MTF.43/TFX-TTX	28	61	63	50	26	8.5	M10	8.5	56	20	40.5	242	93	43	32	45	31	51	4	19	90	10000	850

\* FH: holding force.

**MTF.TF-TU**  
**MTF.TFX-TUX**



**MTF.TF-TU**

Code	Description	a	b1	b2	b3	b5	d	d1	d3	h1	h2	h3	l1	l3	l4	m1	m2	m3	r	s1	t	Stroke w [N]	FH* [N]	⚖
GG.AL418	MTF.33/TF-TU	19	50	49	38	18	6.5	M8	6.7	45	17	28	197	76.5	34	19	33.5	25.4	40	3	16	83	5000	480
GG.AL428	MTF.43/TF-TU	28	61	63	50	26	8.5	M10	8.5	56	20	39	242	93	43	32	45	31	51	4	19	90	10000	876

**MTF.TFX-TUX**



GG.AS429	MTF.33/TFX-TUX	19	50	49	38	18	6.5	M8	6.7	45	17	28	197	76.5	34	19	33.5	25.4	40	3	16	83	5000	480
GG.AS435	MTF.43/TFX-TUX	28	61	63	50	26	8.5	M10	8.5	56	20	39	242	93	43	32	45	31	51	4	19	90	10000	876

Toggle and fastening clamps

\* FH: holding force.