

## Features:

- High luminous LEDs
- 5mm Round standard directivity
- Superior weather-resistance
- UV Resistant epoxy
- Water clear type

## Applications

- Traffic signal
- Backlighting
- Signal and channel letter
- Other lighting

## Absolute maximum rating (Ta=25°C)

Item	Symbol	Value	Unit
DC Forward current	$I_F$	50	mA
Pulse forward current*	$I_{FP}$	120	mA
Reverse voltage	$V_R$	5	V
Power dissipation	$P_D$	130	mW
Operating temperature	$T_{opr}$	-30 to +85	°C
Storage temperature	$T_{stg}$	-40 to +100	°C
Lead soldering temperature	$T_{sol}$	260°C/5 sec	-

\*Pulse width max. 10ms. Duty ratio max. 1/10

## Electrical - Optical characteristics (Ta=25°C)

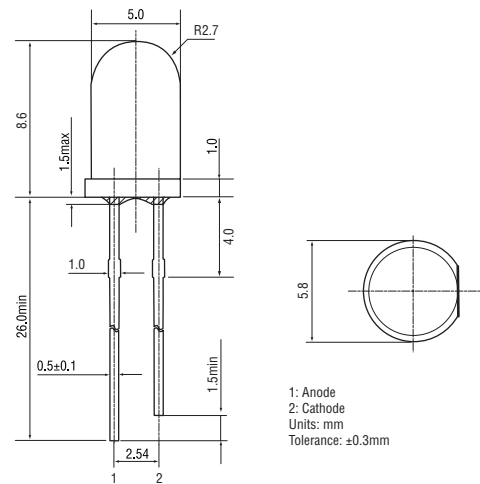
Item	Symbol	Condition	Min.	Typ.	Max.	Unit
DC Forward voltage	$V_F$	$I_F = 20\text{mA}$	1.8	2.1	2.6	V
DC Reverse current	$I_R$	$V_R = 5\text{V}$	-	-	10	$\mu\text{A}$
Domi. wavelength*	$\lambda_D$	$I_F = 20\text{mA}$	620	625	630	nm
Luminous intensity †	$I_v$	$I_F = 20\text{mA}$	4200	6000	-	mcd
50% Power angle	$2\theta_{1/2}$	$I_F = 20\text{mA}$	-	30	-	deg

\* Tolerance of dominant wavelength is  $\pm 1\text{nm}$

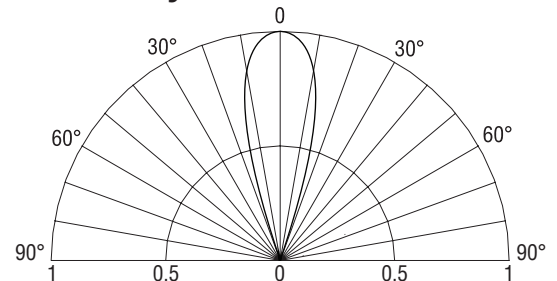
† Tolerance of luminous intensity is  $\pm 15\%$



## Outline dimensions:



## Directivity:



## Maximum forward current:

